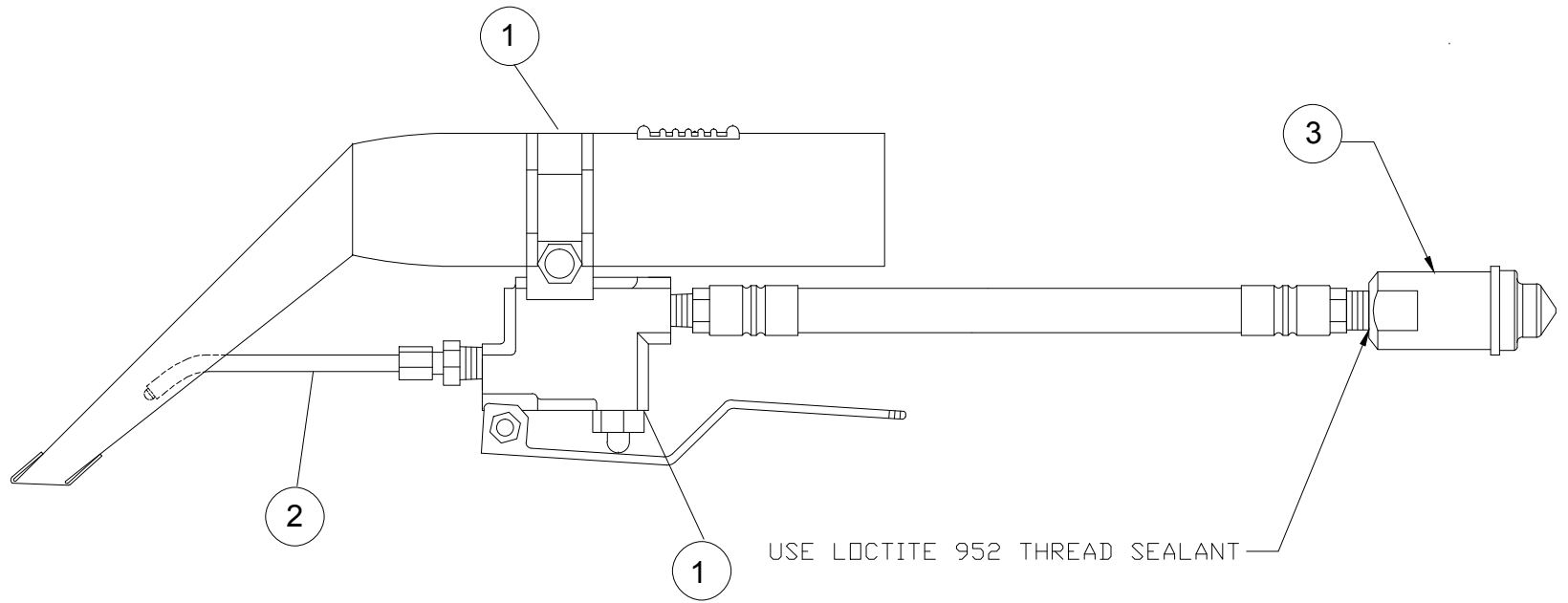


Item #	Part #	Description
1	AA159	Valve with Hanger
2	AA161J	Jet Assembly
3	PX5	Male Quick Disconnect
NOT SHOWN	AA150	Valve Repair Kit

REV	DATE	ECN	DESCRIPTION	DRAWN BY	CHECKED BY



★ STAR DENOTES CRITICAL DIMENSION

MATERIAL:		FINISH:		SCALE:		SHEET:		TACONY CORPORATION COMMERCIAL FLOORCARE EQUIPMENT		
DRAWN BY:	KK	DATE:	9/19/16	-	1 of 1	DESCRIPTION: UPHOLSTERY TOOL				
X.X ±0.02 IN X.XX ±0.01 IN X.XXX ±0.005 IN ANGLES ±0°30" BREAK SHARP EDGES TO 0.010				TACONY CORPORATION CLAIMS PROPRIETARY RIGHTS IN THE MATERIAL DISCLOSED HEREIN. THIS DRAWING IS ISSUED FOR ENGINEERING INFORMATION ONLY. IT MAY NOT BE REPRODUCED, NOR MAY THE INFORMATION HEREIN BE USED FOR MANUFACTURING PURPOSES WITHOUT WRITTEN PERMISSION FROM TACONY CORP.				PN: 20-0182-0000		REV: 00