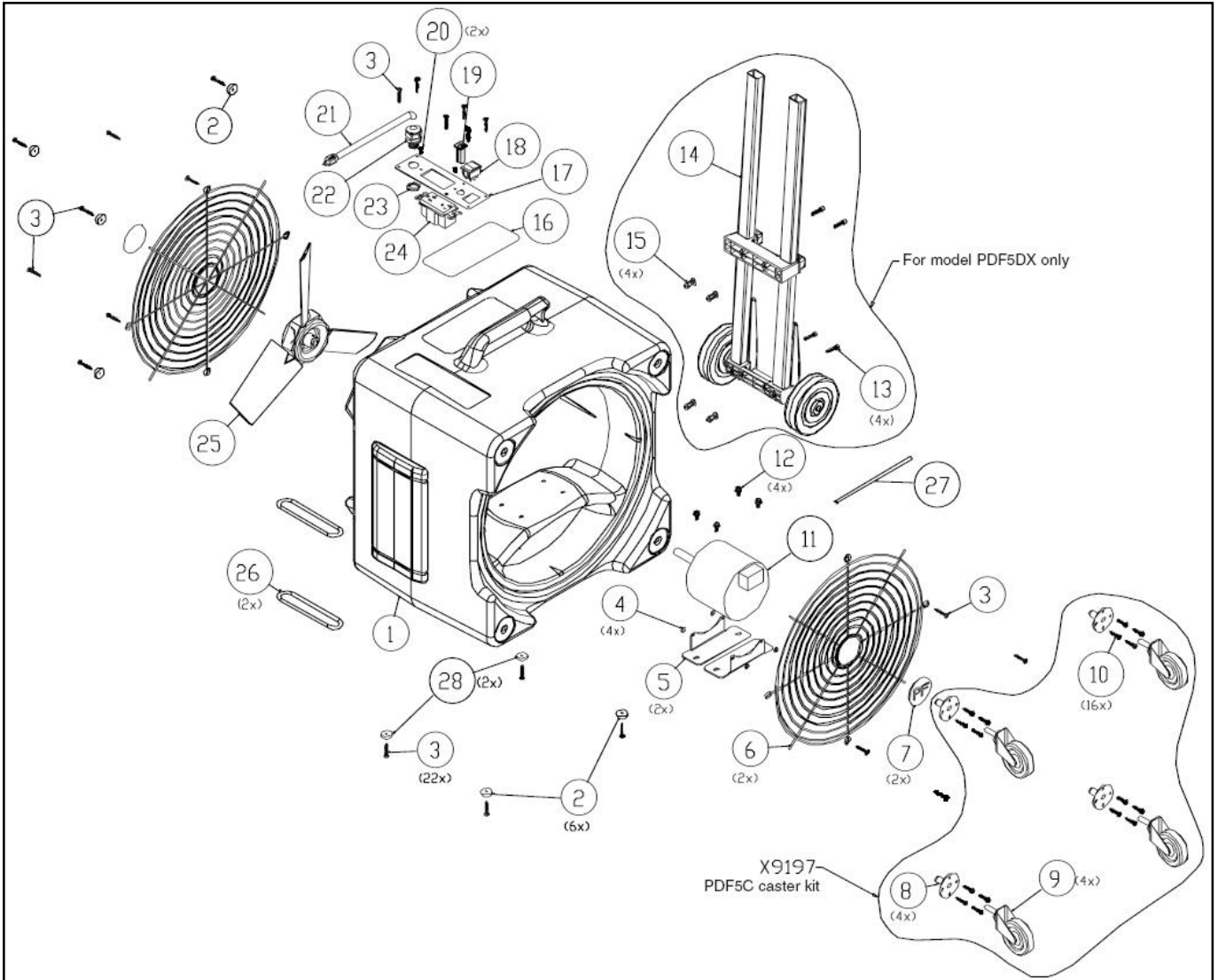


Axial Fan parts list Issue C



Ref no	Part no	Description	Ref no	Part no	Description
01	X9180	Housing, Axial Fan	14	X8990N	Handle / Wheel Assembly, Narrow
02	PD3C	Foot, Black Rubber, Short	15	X8848	Jacknut, 1/4-20, Steel, #8LJN
03	X9098	Screw, #10 x 1", A point, Pan Head	16	X9190 -TV	Label, Product
04	X8260	Nut, 8-32 Lock, w/ Nylon Inserts	17	72721A	Switch Panel
05	72719A	Bracket, Axial Fan Motor	18	X9048	Rocker Switch
06	X9183	Grill Axial Fan	19	X918	Circuit Breaker, 12A
07	Not Applicable		20	X9188	Screw, 6-32 x 3/8", Black MS
08	X9195	Castor Receiver	21	X8926	6m 115v cord set
09	P50	Wheel and Socket		PD7E	6m 230v cord set
10	72020A	Screw, Self-Tap, PHMS, Zinc, #12 x 1"		PD7E/EURO	6m 230v cord set euro plug
11	X9181	Motor, 115v ac, 190W, 4-Pole	22	PD8	Strain Relief, 1/2" NPT
	X9181-2	Motor, 230v ac, 190W, 4-Pole	23	X8008N	Nut, Lock, 1/2" Steel Conduit
12	X8209S	Screw, 1/4-20 x 1/2", Self Locking Flange	24	X9187	GFCI outlet, Female Plug
13	X9065	Screw, Hex Socket Cap, 1/4-20 x 1"	25	X9182P50+	Fan Blade Assembly
			26	F631	Round Belt
			27	72470A	Heat Shrink, Blk, 1/2"
			28	PD3B	Foot, Black Rubber, Tall

Note: Ref No. Parts 8, 9 & 10 are supplied as part of PDF5C Castor Kit.