

Gem Plus Service Parts List

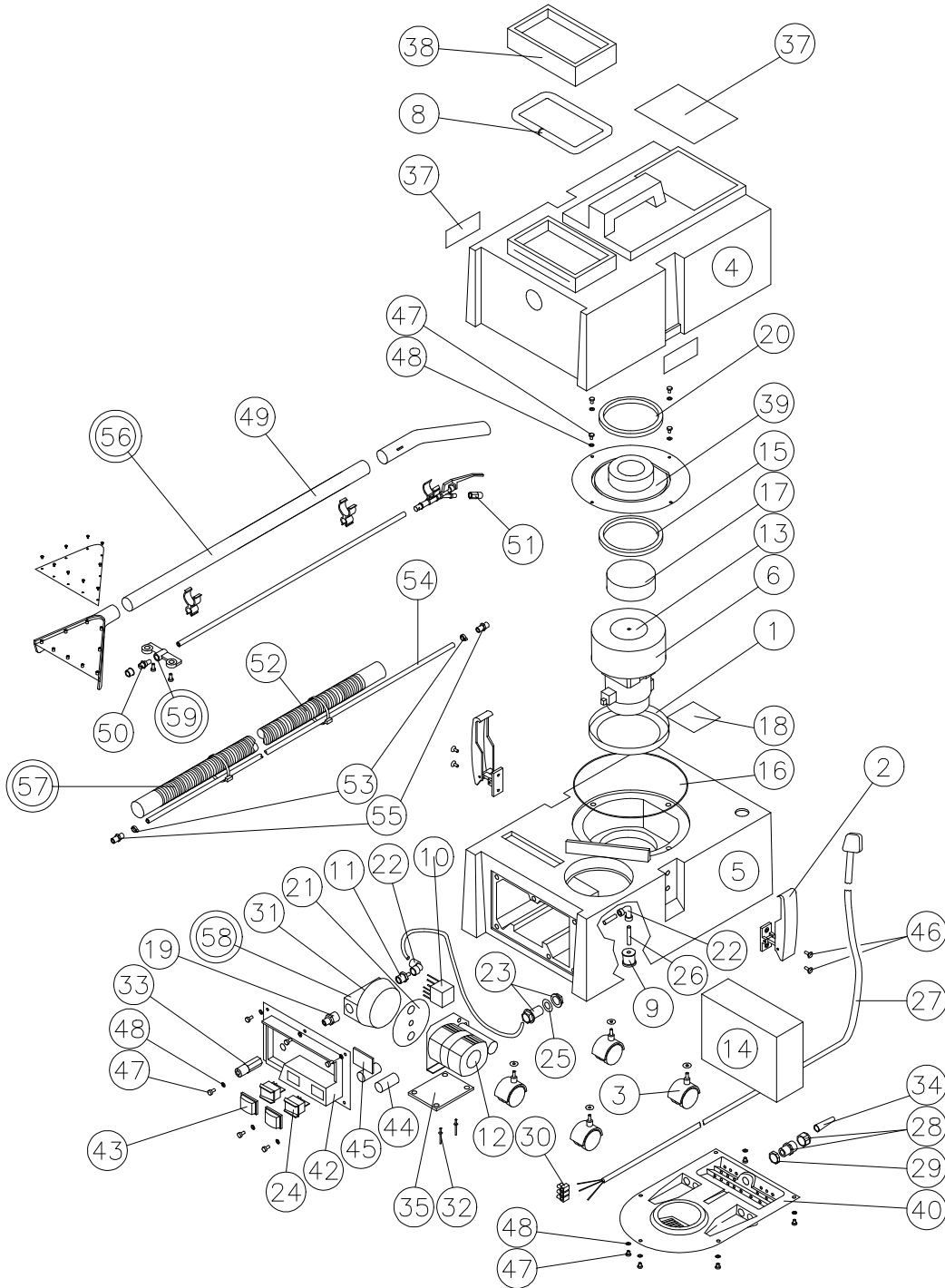
Models Ref.:- TW0930ES

Service Parts List Issue 8 Dated 23-02-2005

Ref. Drawing PD01316 PLUS Issue C Dated 30-05-2003

Drawing Ref.	Original Part Number	Current Part Number	Description
1	RX000119	97-0148-0000	Lower Motor Mounting Rubber
2	RX001847	97-0318-0000	Plastic Side Catch 101/300
3	TW000413	02-3587-0000	Wheel for Gem
4	TW005510	03-6225-0000	Truvox Recovery Tank for Gem
5	TW005511	03-6227-0000	Truvox Solution Tank for Gem
6	TW005005	04-3271-0000	Vac. Motor 1000/850 Watt Gem
7	TW005129	04-3279-0000	Gem Plus Wiring Harness (Not Drawn)
8	TW005013	02-3597-0000	Neoprene Gasket - 19mm
9	TW005014	03-6213-0000	Filter Element
10	TW005015	04-3273-0000	Suppression Radio 435 Amp Gem
11	TW007012	02-3614-0000	Adaptor Stem for Elbow (Champ)
12	TW005036	04-3276-0000	Motor Pump High Pressure
13	TW005023	02-3601-0000	Mesh Metal Epoxy Black
14	TW005027	03-6215-0000	Foam set for Silencer
15	TW005030	02-3604-0000	Vac Seal Inner Gasket (Spares Use - 05-3724-0000)
16	TW005031	03-6216-0000	Tank Seal Gasket Upper to Lower
17	TW005032	03-6217-0000	Filter Foam
18	2-3436	02-3436-0000	Label Serial No. Gem
19	TW011046	02-3682-0000	Adaptor 1/4" x 3/8" for Wand
20	TW005113	05-3581-0000	Gem Tank Gasket Assembly
21	TW025210	03-6370-0000	Deflector Pressure Switch
22	TW007017	02-3616-0000	Champ Plastic Elbow
23	TW007219	02-3636-0000	Bulkhead Fitting Champ/Gem
24	TW007403	04-3296-0000	Switch 2WI 36/230
25	TW010018	03-6342-0000	M15 x 3mm Plain Rubber Washer
26	TW011120	03-6344-0000	Tube Nylon 8mm OD Red PNFM 8M1
27	TW020017	04-3310-0000	Cable 3 Core 13 Amp with Plug
28	TW022026	02-3703-0000	Cable Gland M20
29	TW022027	02-3704-0000	Nut Back M18 x 8mm
30	TW023046	04-3332-0000	Terminal Block
31	TW025235	02-3722-0000	Pump Head New ByPass
32	TW033012	02-3406-0000	Aluminium Pop Rivet 5/32" Dia
33	TW065034	02-3767-0000	Quick Coupling
34	TW065052	02-3770-0000	Rubber Cable Sleeve Black
35	TW078915	03-6471-0000	PVC Base Plate for Pump
36			
37	TW005048	03-6221-0000	Label - Gem Plus Logo Kit
38	TW005003	05-3718-0000	Lid Waste Tank - Gem
39	TW005009	03-6210-0000	Vac Motor Upper Retainer - Gem
40	TW005010	03-6211-0000	Vac Motor Lower Retainer - Gem
41			
42	TW005044	03-6218-0000	Switch Panel Cover
43	TW007413	02-3650-0000	Cover for Switch TW007403
44	TW015093	02-3698-0000	Sleeving
45	TW033089	02-3736-0000	Double Sided Tape
46	M5-10-B-ZN	00-0510-0051	M5 x 10 Csk Slot Screw
47	M5-8-CP-ZN	00-0508-0011	M5 x 8 Pozi Pan Zinc Plated
48	M5-OLG-BK	00-0500-0501	M5A Flat Washer Black
49	TW000751	02-3592-0000	Wand
50	TW005011	05-3579-0000	Spray Jet Body
51	TW065034	02-3767-0000	Quick Coupling
52	TW005012	03-6212-0000	Hose 3M Black with Cuffs
53	TW065063	02-3771-0000	O-Clip Steel 13mm x 18mm Long
54		05-3759-0000	3.5 Metre Solution Hose
55	TW065066	02-3773-0000	Male Quick Connect Coupling
56	TW005751	05-3679-0000	Wand Assembly Extra Strength
57	TW005020	05-3676-0000	Hose Assembly for Gem Wand
58		05-3580-0000	Pump and Motor Assembly
59		97-0386-0000	Spray Jet Assembly

Truvox International Ltd.,
 Third Avenue, Millbrook,
 Southampton. Hampshire.
 SO15 0LE.
 Service & Spares: 01703 706601
 Customer Services: 01703 706600
 General Enquiries: 01703 702200



30.05.03	-	C	ADD ASSEMBLY	CL	SCALE	NTS	TITLE			
20.05.03	-	B	ADD ASSEMBLY	CL	CHECKED		G.A.			
12.12.98	-	A	NEW DRAWING	MB	DRN		PRODUCT	DRAWING/PART No	SHEET 1 OF	
DATE	CRO No	ISS	REVISION RECORD	DR	CHK	MHB 12.12.98	GEM PLUS	PD01316 PLUS	A4	1 SHEETS