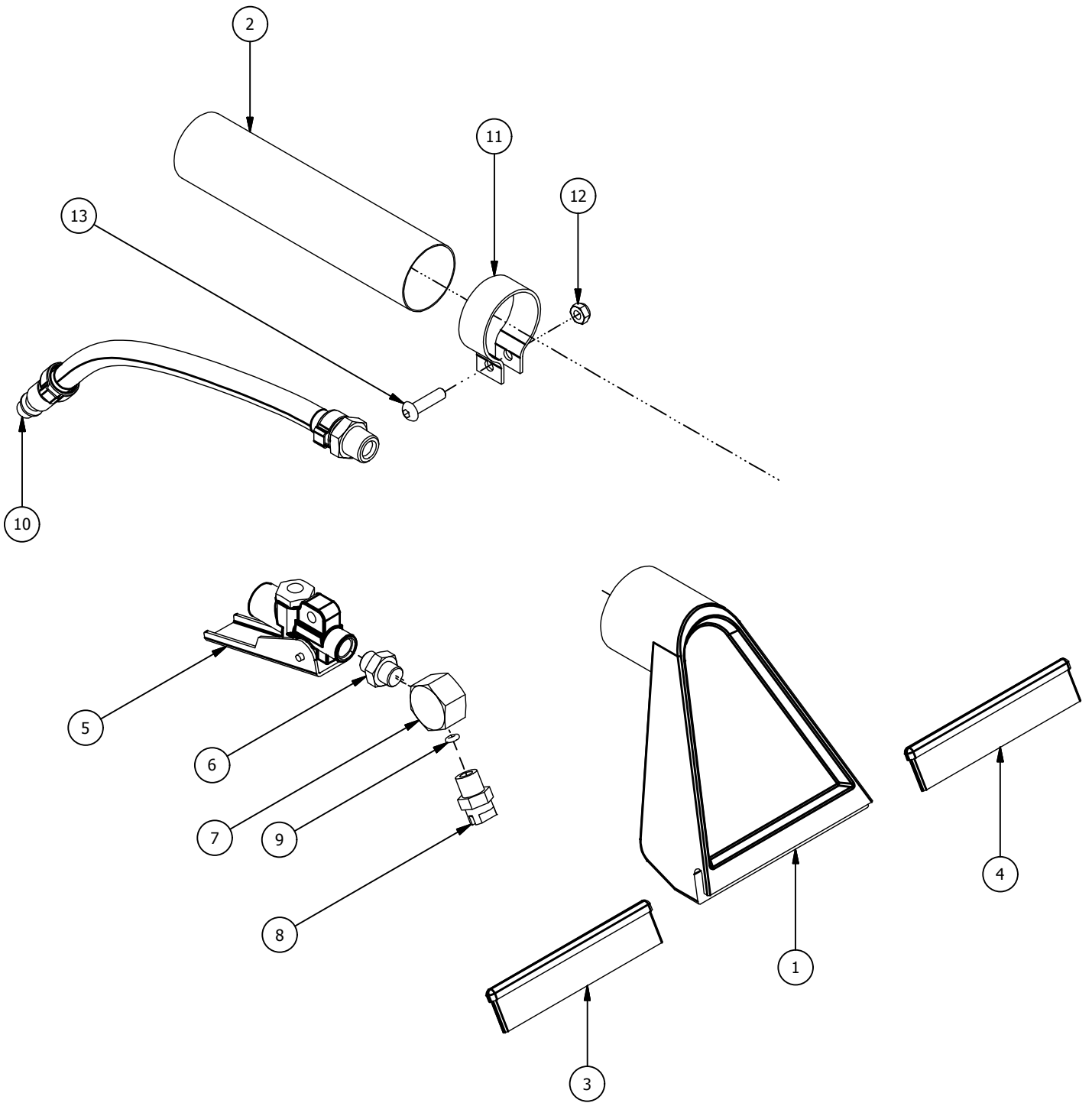


<b>Tacony CFC</b>		<b>Heavy Duty Upholstery Tool</b>	
Part number:	<b>93-0143-0000</b>		
Date:	14-Feb-18		
Reference Drawing number:	93-0143-0000		
Reference Drawing Issue:	B		
Modified By:	J WYLES	<b>DESCRIPTION OF CHANGE</b>	<b>ECN #</b>
Service Parts List Issue:	2	-	-

Ref. No.	Part No.	Part Description	Qty
1	93-0190-0000	ALU. ACCESSORY TOOL HEAD WHITE	1
2	93-0191-0000	STRAIGHT TUBE SS Ø32 Lg 140mm	1
3	93-0192-0000	STRIP 20/100 Lg 98 mm BLACK	1
4	93-0193-0000	BRUSH WHITE 30/100 Lg 98mm	1
5	93-0153-0000	WAND & UP TOOL VALVE	1
6	93-0194-0000	UNION BUSHING M/M 1/8 CYLINDRICAL PLATED	1
7	93-0195-0000	PIPE FITTING 120° - F/F 1/8 PLATED	1
8	93-0196-0000	NOZZLE	1
9	93-0197-0000	GASKET	1
10	93-0152-0000	CONNECTING HOSE ASSY	1
11	93-0198-0000	PIPE CLAMP	1
12	93-0199-0000	M5 NYLON LOCK NUT INOX (x10)	1
13	93-0200-0000	BHC SCREW M5x20 ZN (x10)	1



**Tacony CFC**

**Heavy Duty Upholstery Tool**

Part Number: **93-0143-0000**

Date: 14-Feb-18

Sheet no.

Drawing Number: 93-0143-0000

1 / 1

Drawing Issue: B

Modified By: J WYLES

DESCRIPTION OF CHANGE

ECN #

Reference Parts List Issue: 2

-

-