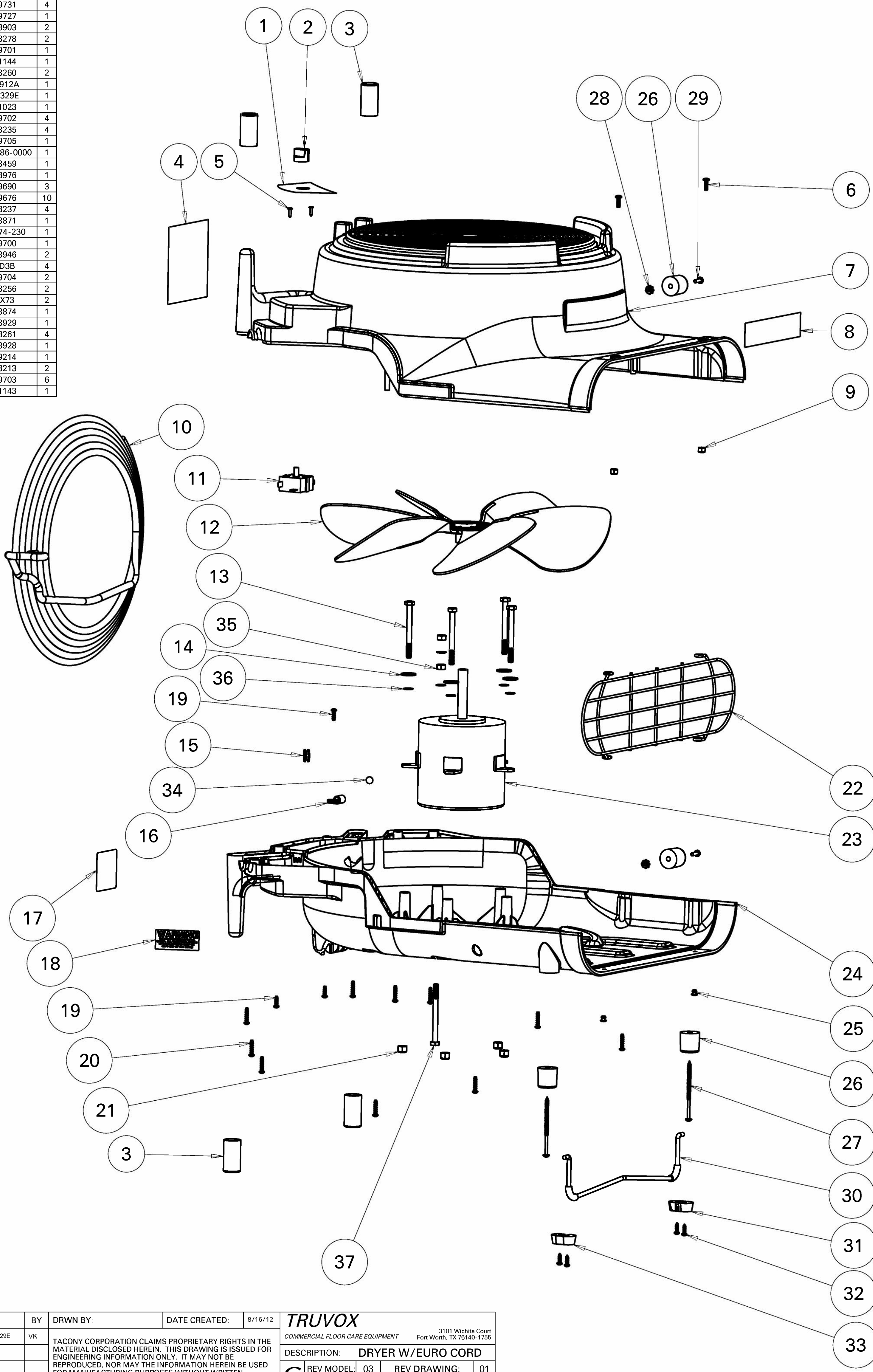


ITEM	DESCRIPTION	PART NO.	QTY
1	SWITCH LABEL	X9728	1
2	DRYER KNOB	X9831	1
3	VYNAL CAP	X9731	4
4	WARNING LABEL	X9727	1
5	SWITCH MOUNTING SCREW	X8903	2
6	8-32 X 1/2" GRILL SCREW	X8278	2
7	HOUSING, TOP	X9701	1
8	FRONT LABEL	X1144	1
9	8-32 NYLON LOCNUT	X8260	2
10	CORD 143 35' W/ EURO PLUG	71912A	1
11	SWITCH	X9329E	1
12	FAN BLADE	X1023	1
13	1/4-20 X 2.75" BOLT	X9702	4
14	1/4" Flat Washer	X8235	4
15	RUBBER GROMMET	X9705	1
16	CABLE P-CLIP	04-0286-0000	1
17	LABEL, SERIAL NUMBER, PLAIN	X8459	1
18	LABEL, WARNING	X8976	1
19	8-18 HI-LO .5" LONG	X9690	3
20	8-18 3/4 LONG HI LO SCREW	X9676	10
21	1/4-20 Nyloc	X8237	4
22	DRYER DISCHARGE GRILL	X8871	1
23	230V DRYER MOTOR	X9674-230	1
24	HOUSING, BOTTOM	X9700	1
25	GRILL MOUNTING RIVOT	X8946	2
26	FOOT, BLACK, RUBBER, TALL	PD3B	4
27	HYBRID FOOT SCREW	X9704	2
28	NUT 8-32 KEPS ZINC	X8256	2
29	SCREW, #8-32 X 1/2"L, PNHD, PH, ZP	PX73	2
30	KICKSTAND, DRYER	X8874	1
31	LEFT FOOT, DRYER KICKSTAND	X8929	1
32	KICKSTAND SCREW	X8261	4
33	RIGHT FOOT KICKSTAND HINGE	X8928	1
34	LABEL, GROUND SYMBOL	X9214	1
35	1/4-20 FINISHING NUT	X8213	2
36	EXTERNAL TOOTH LOCK WASHER 1/4"	X9703	6
37	1/4-20 X 3" HEX CAP SCREW	X1143	1



REV	DATE	ECN	DESCRIPTION	BY	DRWN BY:	DATE CREATED:	8/16/12
01	2/6/14		ADDED X9703, X8213, X1143, X1144, X9329E	VK			

**TRUVOX**  
COMMERCIAL FLOOR CARE EQUIPMENT  
 3101 Wichita Court  
 Fort Worth, TX 76140-1755

DESCRIPTION: **DRYER W/EURO CORD**

REV MODEL: 03    REV DRAWING: 01

PN: **HB3400\EURO**

TACONY CORPORATION CLAIMS PROPRIETARY RIGHTS IN THE MATERIAL DISCLOSED HEREIN. THIS DRAWING IS ISSUED FOR ENGINEERING INFORMATION ONLY. IT MAY NOT BE REPRODUCED, NOR MAY THE INFORMATION HEREIN BE USED FOR MANUFACTURING PURPOSES WITHOUT WRITTEN PERMISSION FROM TACONY CORP.