

# Spare Parts List (Kits)

Model Ref.:- HM55/100

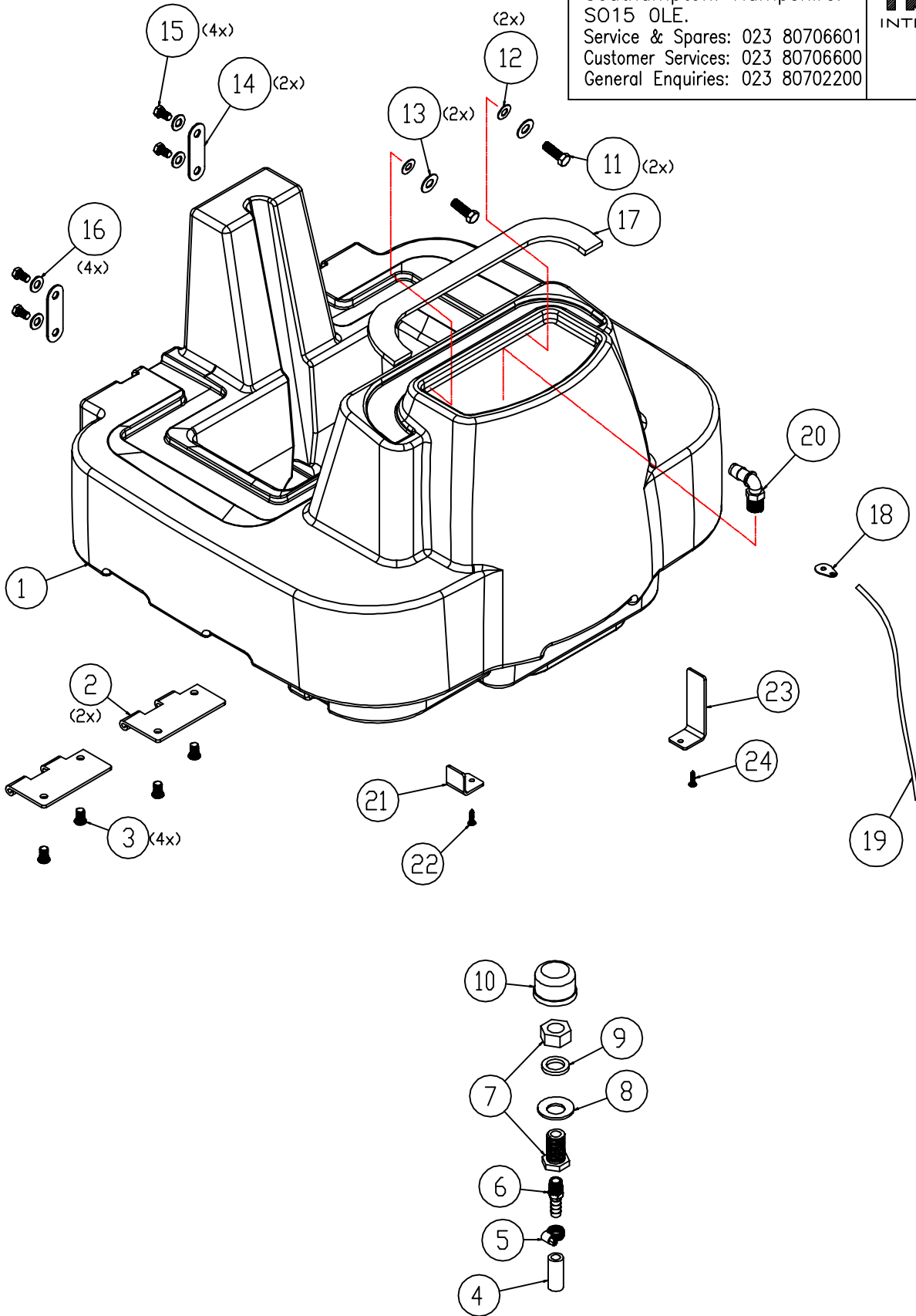
SERIES A

Spare Parts List (Kits) Issue 3 Dated 08-June-2011

Reference Drawing 09-1103-0000 Issue A Dated 03-November-2008

Drawing Ref.	Part Number	DESCRIPTION	Qty Per
<b>SERVICE SHEET DRAWING REFERENCE 09-1103-0000 PAGE 1</b>			
<b>SOLUTION TANK ASSEMBLY</b>			
1	X9912-TEAL+	Housing, Solution Tank Teal	1
2	X9014+	Hinge	2
3	7BS003	Screw, 1/4-20x1/2" Phil Pan MS 18-8 SS	4
4	PX3H+	Hose, 3/8" ID x 1/8" Wall (20.5" Long)	1
5	7DL003	Clamp, 1 /4" Worm Gear Stainless hex Slot phil	1
6	PX85+	Fitting, 1 /4" MNPT x 3/8" Hose Male/Male Barb	1
7	PX48+	Fitting, Brass, Bulkhead, 3/ 4"	1
8	72274A	Washer, 3/ 4" Neoprene-Bond, Galvanized	1
9	PX48G+	Gasket, Fiber, 1.125 OD x .75 ID x .15625THK	1
10	71495A	Pump Protection Filter	1
11	71480AP	Bolt, 5/16-18 x 3/4" Hex, 18-8 SS	2
12	72667A	Washer, Rubber, .29ID, .688OD, .093Th	2
13	X9171+	Washer, Flat 5/16 SS, .688OD, .344ID, .062Th	2
14	X9140+	Tie Down Plate	2
15	7CP002	Bolt, 5/16-18x1/2" Hex Tap, 18-8 SS	4
16	X8235+	Washer, 1/ 4" Flat USS Zinc	4
17	X9149+	Gasket, Foam Strip, 1 x 14.25	1
18	X9069+	End Loop, SS w/ 2 Holes, 16G	1
19	72660A	Rope, 22" Long	1
20	PX15A	Fitting, Nylon Elbow, 90deg, 1/4" NPT x 3/8" Hose Barb	1
21	X9155+	Latch, Bracket, Long	1
22	71644A	Screw #10 x 1" Phil Pan	1
23	X9156+	Latch, Bracket, Short	1
24	71644A	Screw #10 x 1" Phil Pan	1
<b>ITEMS NOT SHOWN ON DRAWING</b>			
25	PX42+	Clamp, 5/8" Worm Gear Stainless hex Slot phil	4
26	PX5+	Quick Disconnect 1/4"FTP x 1/4 Male	1
27	PX61A	Ear Clamp 18.5mm	2

Truvox International Ltd.,  
 Third Avenue, Millbrook,  
 Southampton. Hampshire.  
 SO15 0LE.  
 Service & Spares: 023 80706601  
 Customer Services: 023 80706600  
 General Enquiries: 023 80702200

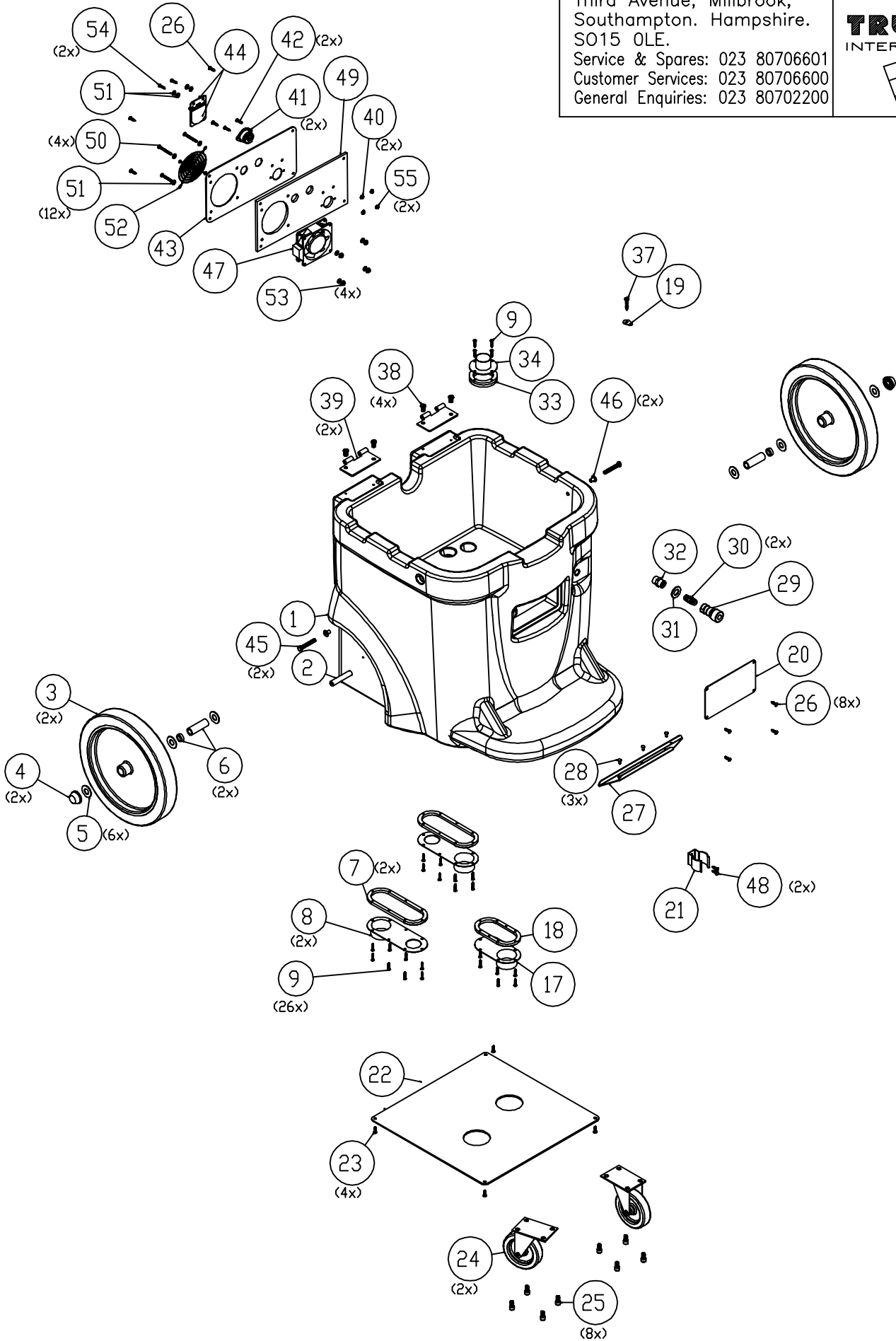


					SCALE	NTS	TITLE	HM55/100 GENERIC SERVICE DRAWINGS		
					CHECKED	M.D.C.	PRODUCT	DRAWING/PART No		
03.11.08		A	NEW DRAWING	MC	MC	DRN	HM55/100	09-1103-0000	A4	SHEET 1 OF 4 SHEETS
DATE	CRO No	ISS	REVISION RECORD	DR	CHK					

Drawing Ref.	Part Number	DESCRIPTION	Qty Per
<b>SERVICE SHEET DRAWING REFERENCE 09-1103-0000 PAGE 2 &amp; 3</b>			
<b>BASE ASSEMBLY</b>			
1	72620ABREPRO+	Base, PFX1350, Black	1
2	72633A	Axle, 23.375" long	1
3	PX106B+	Wheel, 12" With 3/4" Bore Black	2
4	7GL002	Push Nut, 1/2"	2
5	7CM007	Washer, 1/2 USS Flat, 18-8 SS	4
6	72634A	Bushing, 1/2" ID X 3/4" OD X 2-1/4" long	2
	72635A	Spacer, 1/2" ID X 3/4" OD X 1/4" long - Supplied With 72634A	2
7	72640A	Gasket, Vac Manifold, long	2
8	72623A	Cover, Vacuum Manifold, long	2
9	7CW002	Screw, #6 X 3/4 Phil Pan TS, Type A 18-8 SS	26
10	72000A	Rod, 3/16 X 5-1/2, All Thread Stud, 18-8 SS	1
11	X9204+	Rod, 10-24, "T" Bolt	3
12	72651A	Spacer, VAC Motor, 2.375" Long	4
13	70020B	Gasket, Vacuum Motor Seal	2
14	1989-IE+	Vacuum Motor, 2-Stage, 230 VAC, High Suction	2
15	7BF003	Nut, Kep, #10-24 Zinc	4
16	7CM003	Washer, #10 USS Flat, 18-8 SS	8
17	72624A	Cover, Vacuum Manifold, Short	1
18	72641A	Gasket, Vacuum Manifold, Short	1
19	X9069+	End Loop, SS, w/ 2 holes, 16G	1
20	X9157+	Cover, Pressure Regulator Plate	1
21	72173A	Spring Clip, Black Vinyl Coated	1
22	72636A	Cover Plate, Bottom	1
23	72388A	Screw, #10 X 5/8, Tap Phil, SS Pan Head	6
24	PX65+	Caster, 4" Black	2
25	7DT001	Bolt, 5/16-18 X 5/8, Heax Tap Zinc	8
26	72387A	Screw, #8 X 5/8, Black, Tap Phil, Pan Head	8
27	72661A	Wand Holder	1
28	72662A	Screw, #10 X 1/2, Phil Flat SM, Black, Undercut Head	3
29	PX6+	1/4 X 1/4 Female Quick Disconnect, Brass	1
30	7CX002	Nipple, Hex 1/4 MPT	1
31	X8239+	Washer, 1/2" USS Flat Zinc	1
32	PC38+	Connector, Double Thread, Female, 1/4" to 1/4" Coupling	1
33	72642A	Gasket, Vac Manifold, Circle	1
34	72625A	Cover, VAC Manifold, Circle	1
35	FJ2002+	Pump, 100 PSI w/ By-Pass, EPDM Valves	1
36	PX15+	Fitting, 90° Nylon Elbow, 3/8" NPT X 3/8" Ho se Barb	2
37	71644A	Screw, #10 X 1", Phil Pan, TS, Type A 18-8 SS	5
38	7BS003	Screw, 1/4-20 X 1/2, Phil Pan, MS 18-8 SS	4
39	X9014+	Hinge	2
40	7BF008	Nut, KEP, 10-32 Zinc	2
41	X9000+	Receptacle, Male Flange	1
42	X8243+	Screw, 6-32 x 3/4" Phil Pan	2
43	X9131-T1+	Cord Panel	1
44	X9096+	Flip Door/Hinge & Spring SCE	1
		Gasket, Flip Dorr SCE 3/32" EPDM	1
45	X9177+	Screw, 1/4-20 X 1-3/4 PH Ext Tooth Washer Full Thread	2
46	72665A	Insert, Tee Nut, 1/4-20 Thread, 1/2 High, .305 Barrel Dia.	2
47	72701A	Fan Cooling 230V	1
48	X9098+	Screw, #10 X 1", A point, PH Pan Head	2
49	X9178+	Foam, Cord Panel	1
50	X8274+	Screw, 8-32 x 2-1/2" Phil Pan	2
51	X8225+	Washer #10 Small SAE Flat	12
52	72702A	Cover Fan	1
53	X8260+	Nut 8-32 Lock w/ nylon insert	4
54	X8851+	Screw, 10-32 X Phil Pan	2
55	X8257+	Nut, 6-32 Lock w/ nylon Insert	2
56	70522A	Coupling Cooling Air Inlet	2
57	05-4609-0000	Mains Cable UK Plug - Not Shown	1
	05-4610-0000	Mains Cable Euro Plug - Not Shown	1
<b>ITEMS NOT SHOWN ON DRAWING</b>			
58	72668A	Shim, Spring Clip	1
59	72669A	Pad, Spring Clip	1
60	7CZ001	Vacuum Hose 2"	Cut Length

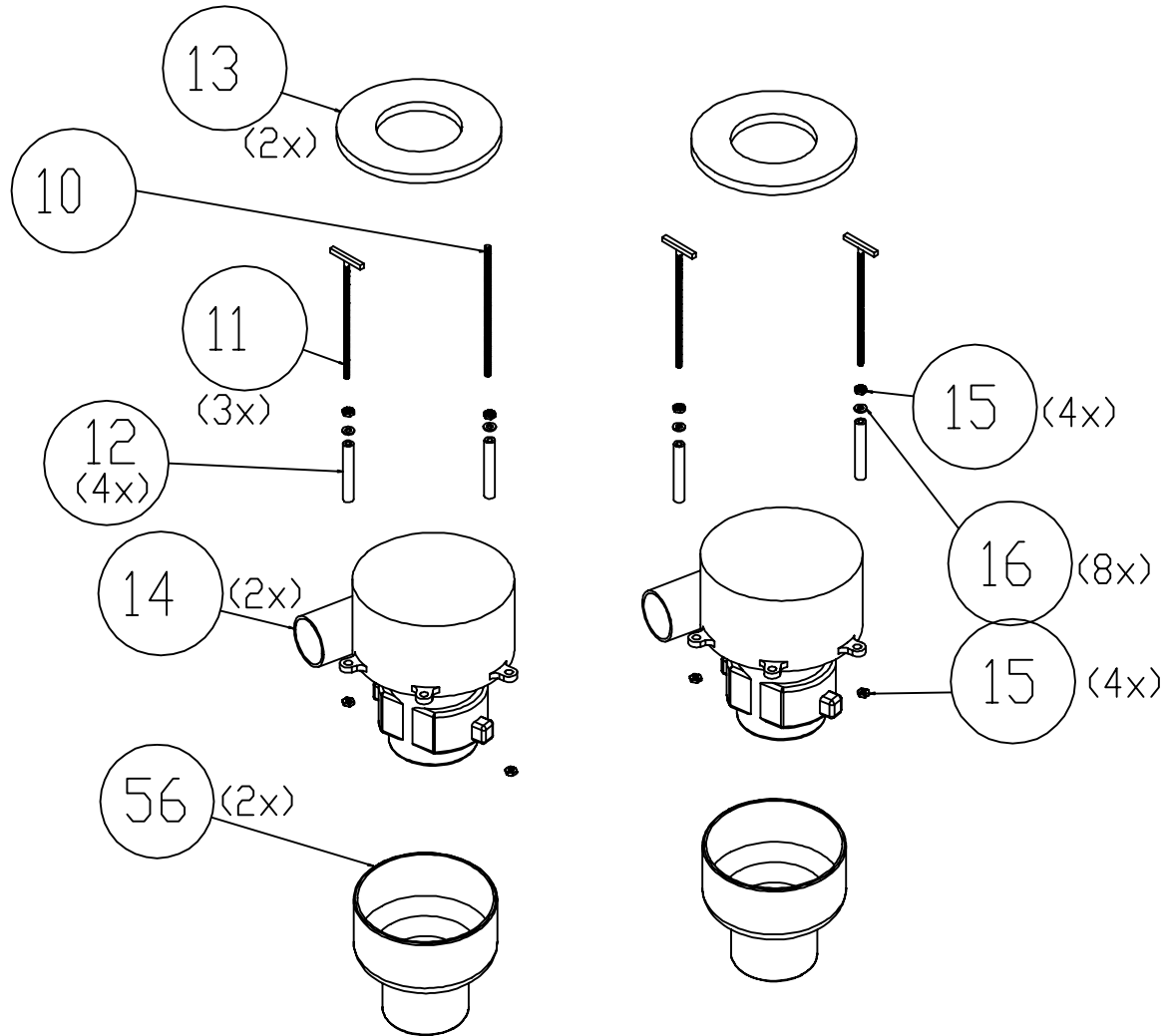
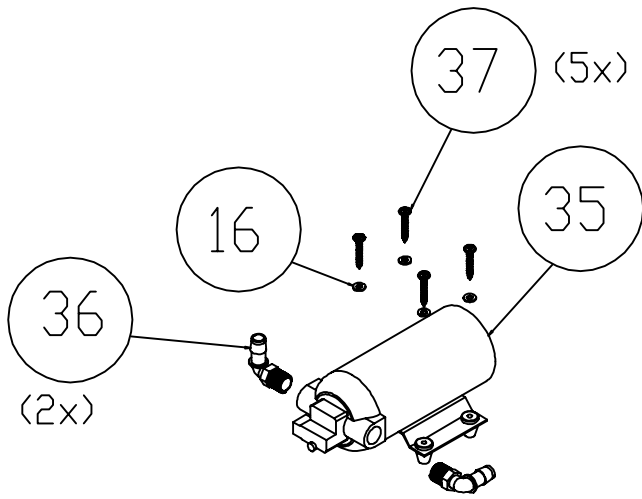
<b>Drawing Ref.</b>	<b>Part Number</b>	<b>DESCRIPTION</b>	<b>Qty Per</b>
61	PX215+	Clamp, 2-1/2" Worm Gear Stainless hex Slot	4
62	7BF030	Nut 10-24 Lock w/ nylon insert	4
63	K1112+	Cuff Assmbly 1-1/2" Grey	2
64	X8284+	Screw, 8-32 x 3/8" " Phil Pan	2
65	X8283+	Washer 9-32"ID x 1"OD x 0.50THK ST/ST	1

Truvox International Ltd.,  
 Third Avenue, Millbrook,  
 Southampton. Hampshire.  
 SO15 0LE.  
 Service & Spares: 023 80706601  
 Customer Services: 023 80706600  
 General Enquiries: 023 80702200



					SCALE	NTS	TITLE			
					CHECKED	M.D.C.	HM55/100 GENERIC SERVICE DRAWINGS			
03.11.08		A	NEW DRAWING	MC	DRN	M.D.C.	PRODUCT	DRAWING/PART No	A4	SHEET 2 OF 4 SHEETS
DATE	CRO No	ISS	REVISION RECORD	DR	CHK		HM55/100	09-1103-0000		

Truvox International Ltd.,  
 Third Avenue, Millbrook,  
 Southampton. Hampshire.  
 SO15 0LE.  
 Service & Spares: 023 80706601  
 Customer Services: 023 80706600  
 General Enquiries: 023 80702200

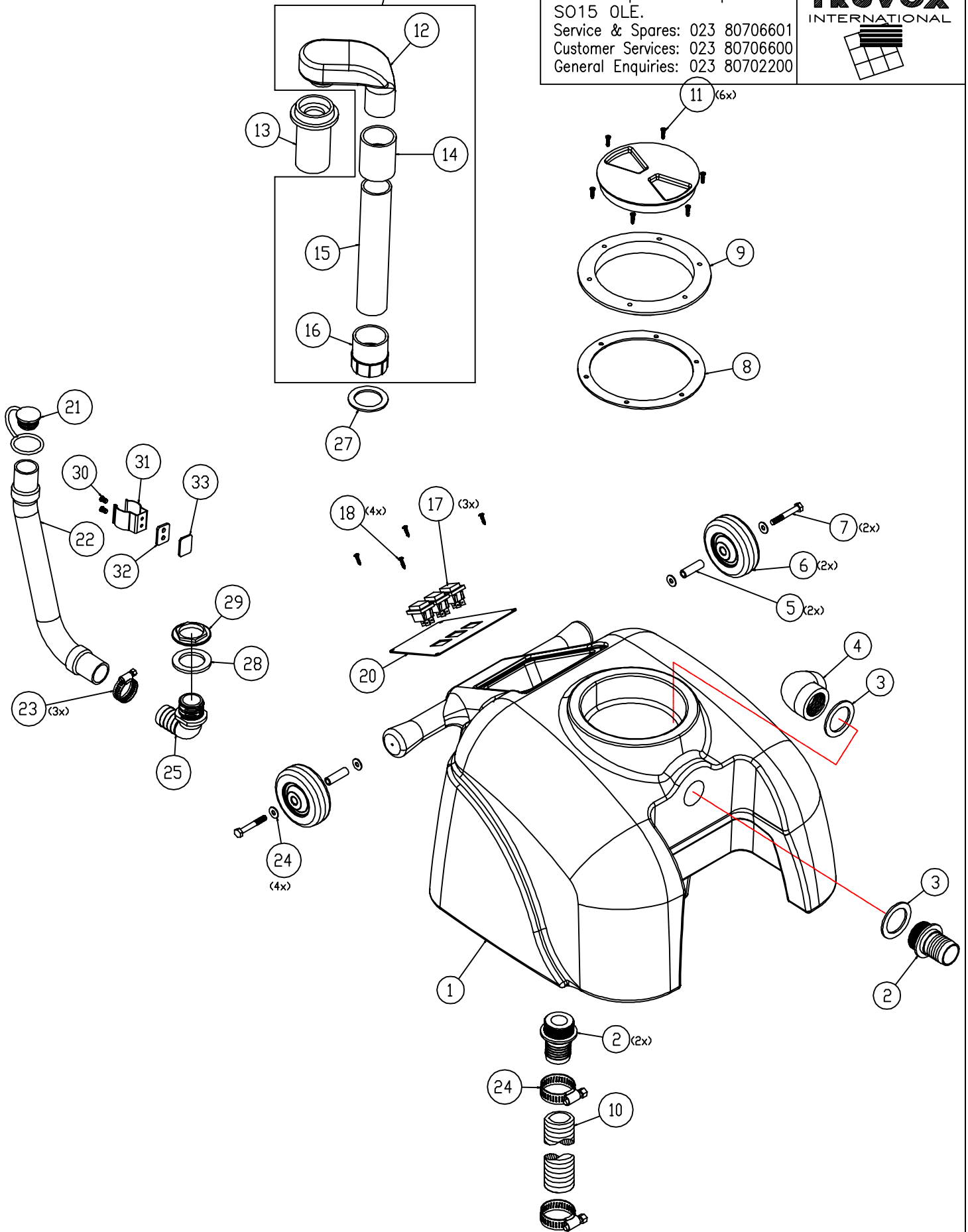


					SCALE	TITLE		
					NTS	HM55/100 GENERIC SERVICE DRAWINGS		
					CHECKED	PRODUCT		
					M.D.C.	HM55/100		DRAWING/PART No
03.11.08		A	NEW DRAWING	MC	DRN	09-1103-0000		A4
DATE	CRO No	ISS	REVISION RECORD	DR	CHK			

Drawing Ref.	Part Number	DESCRIPTION	Qty Per
<b>SERVICE SHEET DRAWING REFERENCE 09-1103-0000 PAGE 4</b>			
<b>RECOVERY TANK ASSEMBLY</b>			
1	X9113H-TEAL+	Housing Recovery Tank Heavy 230v models	1
2	PX25+	Bulkhead, 1-1/2" NPT x 1-1/2" Hose Barb	1
3	PX14A+	Dump Valve Gasket, 1-1/2" Thin,	2
4	PX11A+	Elbow, 90 deg 1-1/2" FTP x SLIP	1
5	72486A	Spacer, 1.625 Long, .50 OD, .313 ID	2
6	X8025+	Wheel, Black, 4" x 1-1/4"	2
7	72645A	Bolt, 5/16 -18 x 2 – 1/ 4, Hex	2
8	PX103G+	Gasket, Lid, 8" OD x 6-5/8 ID, x 1/8" Thick	1
9	PX103+	Lid, Screw-in, 6" Clear, w/ Black ring	1
10	72656A	Hose, 1-1/2 Wire-Reinforced, Black	1
11	X8295+	Screw, #8 x 3/ 4, Phil Flat TS, Type A Black Zinc	6
12	PX33+	Vacuum Tube	1
13	PX31L	Float Cage w/ Light Ball	1
14	72615A	Coupling, PVC, 1-1/2 Slip x Slip	1
15	X9154+	Pipe, PVC, Schedule 40, 1-1/2, 9.5" Long	1
16	Px63+	Coupling, Plastic, 1-1/2' Slip x 1-1/2FTP	1
17	PX87+	Rocker Switch, DPST, 20A, w/ Protective Cover	3
18	72387A	Screw, #8 x 5/8", black, Tap, phil pan	4
20	X9152+	Switch Panel without Heater	1
21	PAS36+	Plug, Drain Hose	1
22	PAS37+	Drain Hose	1
23	7DL005	Clamp, 1-1/2" Worm Gear SS, Hex Slot, Size 20	3
24	X8235+	Washer, 1/ 4 Flat USS Zinc	4
25	7GR016	Elbow, 1-1/4H – 1-1/4M, nylon	1
27	PX14+	Dump Valve Gasket, 1-1/2", 2.50 x 1.75 Rubber	1
28	X9164+	Gasket, 1-1/4" Fitting	1
29	X9165+	Nut, Lock, 1-1/4"	1
30	7BH004	Screw, 10-32x3/8" Phil Pan MS, 18-8 SS	2
31	72173A	Spring Clip, Black Vinyl Coated	1
32	72170A	Nut Plate, Clip	1
33	72175A	Gasket, Nut Plate	1
<b>ITEMS NOT SHOWN ON DRAWING</b>			
34	8550+	Grey/Black Hose	1

X9158+

Truvox International Ltd.,  
 Third Avenue, Millbrook,  
 Southampton. Hampshire.  
 SO15 0LE.  
 Service & Spares: 023 80706601  
 Customer Services: 023 80706600  
 General Enquiries: 023 80702200



					SCALE	NTS	TITLE	HM55/100 GENERIC SERVICE DRAWINGS		
					CHECKED	M.D.C.	PRODUCT	DRAWING/PART No		
03.11.08		A	NEW DRAWING	MC	MC	DRN	HM55/100	09-1103-0000	A4	SHEET 4 OF 4 SHEETS
DATE	CRO No	ISS	REVISION RECORD	DR	CHK	M.D.C.				