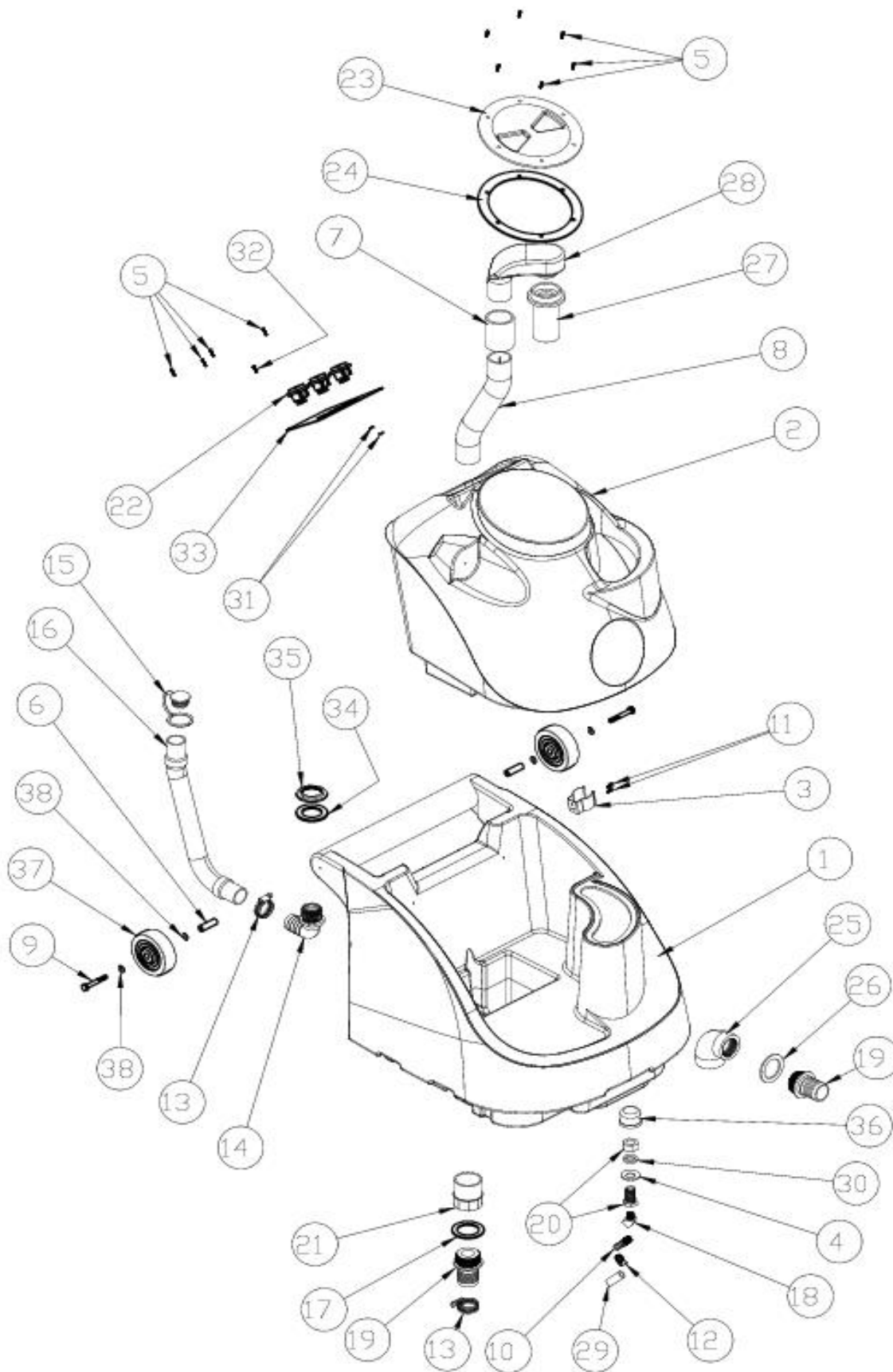


<b>Tacony CFC</b>		<b>Hydromist 55 Litre</b>	
<b>Part Number:</b>		<b>HM55/400</b>	
Series:		A	
Date:		22-APR-2022	
Reference Drawing Number:		09-1110-0000	
Reference Drawing Issue:		B	
Modified By:		J CLARKE	
Service Parts List Issue:			9
Description of Change:			change to wheel part numbers from PX160B+ to X9066 and motor description
			<b>ECN #</b>
			<b>1248</b>

Ref. No.	Part No.	Part Description	Qty
<b>HM55/400 SHEET 1: TANK ASSEMBLY</b>			
1	33071-TEAL	Solution Tank	1
2	33072	Recovery Tank	1
3	72173A	Black Vinyl Spring Clip	1
4	72274A	Washer 3/4" Neoprene Bond	1
5	72387A	Screw #8 x 5/8"	10
6	72486A	Spacer,1.625 Long.50 OD .313 ID	2
7	72615A	PVC Coupling 1-1/2"	1
8	72628C	Pipe PVC Schedule 40 1-1/2	1
9	72645A	Bolt 5/16 -18 x 2- 1/4 Hex	2
10	7AT004	Barb, 1/4M x 1/2H	1
11	7BH004	Screw 10-32x3/8 SS	1
12	7DL003	1/4" Worm Gear Clamp SS	1
13	7DL005	1-1/2" Worm Gear Clamp SS	1
14	7GR016	Elbow, 1-1/4M x 1-1/4H Nylon	1
15	PAS36	Drain Hose Plug	1
16	PAS37	Drain Hose	1
17	PX14	Dump Valve Gasket 1-1/2	1
18	PX17	Street Elbow 45 Degree Brass	1
19	PX25	Plastic Fitting 1-1/2" NPTx1-1/2" Hose Barb	1
20	PX48	Fitting Brass Bulkhead 3/4"	1
21	PX63	Plastic Coupler 1-1/2" Slip x 1-1/2" FPT	1
22	32966	Rocker Switch w/ Cover DPST 20A	4
23	PX103	Lid screw -in 6" clear w/ Black Ring	1
24	PX103G	Lid Gasket	1
25	PX11A	Elbow 1-1/2" Plastic	1
26	PX14A	Valve Gasket .125" Thick	1
27	PX31L	Float Cage w/ Light Ball	1
28	PX33	Vaccum Tube	1
29	PX3H	Solution Hose 3/8" I.D. X 30" Length	1
30	PX48G	Gasket Fiber 1.125 OD X .75	1
31	X8256	Nut 8-32 KEPS Zinc	2
32	X8278	Screw8-32 X 1/2	1
33	X9130	Switch Panel w/ Heater	1
34	X9164	Gasket 1-1/4	1

35	X9165	Lock Nut 1-1/4"	1
36	X9294	Pump Protection Filter	1
37	X8025	Wheel Black, 4" x 1-1/4"	2
38	X8235	Washer 1/4" Flat Zinc	4
39	X9553	Gasket Between Tanks 1/2" x 3/8" x 27"	1
Not Shown	X9173	Hole Plug Switch Hole	1
Not Shown	72806A	Heater Light, Red, 230V	1



# Tacony CFC

# Hydromist 55 Litre Parts List

Part Number:

**HM55/400**

Date: 05-Jul-18

Sheet no.

Drawing Number: 09-1110-0000

1 / 3

Drawing Issue: B

Modified By: J WYLES

DESCRIPTION OF CHANGE

ECN #

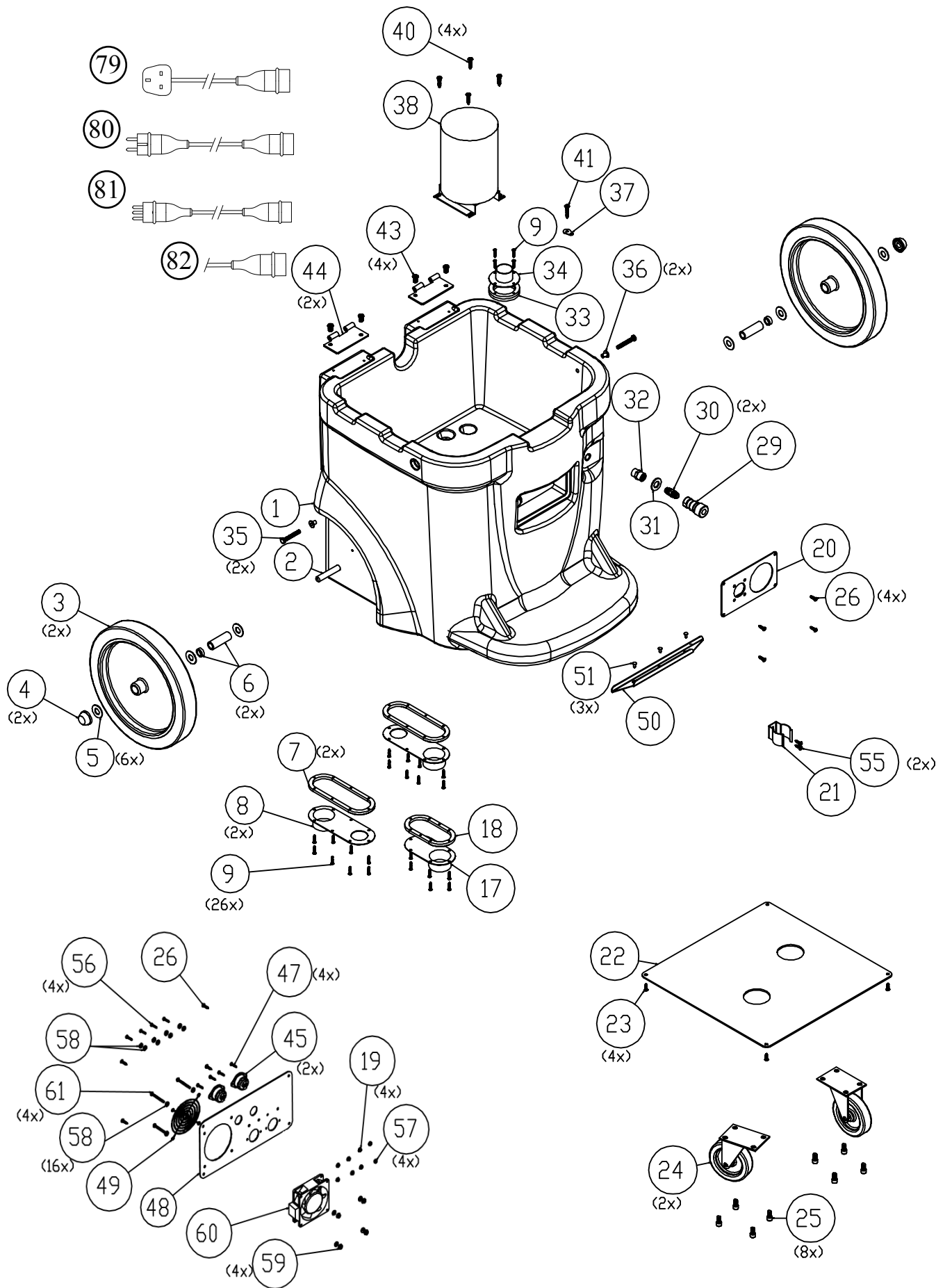
Reference Parts List Issue: 8

-

-

Ref. No.	Part No.	Part Description	Qty
		<b>HM55/400 SHEETS 2 &amp; 3: BASE ASSY &amp; MOTOR ASSY</b>	
1	72620ABREPRO+	Base, PFX1350, Black	1
2	72633A	Axle, 23.375" long	1
3	X9066	Wheel, 12" w/ 1.75" Non-Marking, Gray Tire on Black	2
4	7GL002	Push Nut, 1/2"	2
5	7CM007	Washer, 1/2 USS Flat, 18-8 SS	6
6	72634A	Bushing, 1/2" ID X 3/4" OD X 2-1/4" long	2
	72635A	Spacer, 1/2" ID X 3/4" OD X 1/4" long	2
7	72640A	Gasket, Vac Manifold, long	2
8	72623A	Cover, Vacuum Manifold, long	2
9	7CW002	Screw, #6 X 3/4 Phil Pan TS, Type A 18-8 SS	26
10	72000A	Rod, 3/16 X 5-1/2, All Thread Stud, 18-8 SS	1
11	X9204+	Rod, 10-24, "T" Bolt	3
12	72651A	Spacer, VAC Motor, 2.375" Long	4
13	70020B	Gasket, Vacuum Motor Seal	2
14	1989-B-kit	Vacuum Motor, 2-Stage, 230VAC, includes gasket, spacers, bracket, screws, nuts	2
15	7BF003	Nut, Kep, #10-24 Zinc	8
16	7CM003	Washer, #10 USS Flat, 18-8 SS	8
17	72624A	Cover, Vacuum Manifold, Short	1
18	72641A	Gasket, Vacuum Manifold, Short	1
19	7BF008	Nut, KEP 10-32 Zinc	4
20	72638A	Pressure Regulator Plate	1
21	72173A	Spring Clip, Black Vinyl Coated	1
22	72636A	Cover Plate, Bottom	1
23	72388A	Screw, #10 X 5/8, Tap Phil, SS Pan Head	6
24	PX65+	Caster, 4" Black	2
25	7DT001	Bolt, 5/16-18 X 5/8, Hex Tap Zinc	8
26	72387A	Screw, #8 X 5/8, Black, Tap Phil, Pan Head	8
27	72639A	Gasket, Mounting Pressure Regulator	2
28	X8256+	Nut, 8-32 KEPS, Zinc	4
29	PX6+	1/4 X 1/4 Female Quick Disconnect, Brass	1
30	7CX002	Nipple, Hex 1/4 MPT	1
31	X8239+	Washer, 1/2" USS Flat Zinc	1
32	PC38+	Connector, Double Thread, Female, 1/4" to 1/4" Coupling	1
33	72642A	Gasket, Vac Manifold, Circle	1
34	72625A	Cover, VAC Manifold, Circle	1
35	X9177+	Screw, 1/4-20 X 1-3/4" PH Ext Tooth Washer Full Thread	2
36	72665A	Insert, Tee Nut, 1/4-20 Thread, 1/2 High, .305 Barrel Dia.	2
37	X9069+	End Loop, SS, w/ 2 holes, 16G	1
38	PF3000C	Heater Unit, 240 V 3000 Watts	1
39	PT400-KIT4	Pump Assembly, 400 PSI w/ Hoses, Regulator and Gauge	1
40	72020A	Screw, #12 X 1", Self-Tap, PHMS, Zinc	4
41	71644A	Screw, #10 X 1", Phil Pan, TS, Type A 18-8 SS	5
42	7BS002	Screw, 8-32 X 1/2 Phil Pan MS, 18-8 SS	4
43	7BS003	Screw, 1/4-20 X 1/2, Phil Pan, MS 18-8 SS	4
44	X9014+	Hinge	2
45	X9818	Receptacle, 230V, 3 Pin, Male	2
46	n/a	-	-
47	X8243+	Screw, 6-32 X 3/4 Phil Pan	4

48	72632B	Switch Panel with Fan	1
49	72702A	Cover Fan	1
50	72661A	Wand Holder	1
51	72662A	Screw, #10 X 1/2, Phil Flat SM, Black, Undercut Head	3
53	72667A	Rubber Washer, .29 ID, .688 OD, .093 TH	2
54	X8848+	Jacknut, 1/4-20, steel, #8 LJN	4
55	X9098+	Screw, #10 X 1", A point, PH Pan Head	2
56	X8851+	Screw, 10-32 X Phil Pan	2
57	X8257+	Nut, 6-32 Lock w/ nylon Insert	2
58	X8225+	Washer #10 Small SAE Flat	16
59	X8260+	Nut 8-32 Lock w/ nylon insert	4
60	72701A	Fan Cooling 230V	1
61	X8274+	Screw, 8-32 X 2-1/2 Phil Pan	4
62	70522A	Coupling Cooling Air Inlet	2
76	X9351	Pump Motor	1
77	PT403	Pump 400PSI	1
78	X9501	Pressure regulator and gauge assy 400PSI	1
79	04-3999-0053	Power Cord 15m UK Orange 230V female connector 3pin	1
80	04-3999-0153	Power Cord 15m EURO Orange 230V female connector 3pin	1
81	04-3999-0353	Power Cord 15m AUS Orange 230V female connector 3pin	1
82	X9817	Cable connector Female 230V 3pin	1
Not Shown	PX160+	1/2" Disc Automatic Reset Thermostat 185-195F	1
Not Shown	PX158+	1/2" Disc Manual Reset Thermostat	1
Not Shown	PC49+	1/4" 90 Degree Street Elbow	1
Not Shown	72668A	Shim, Spring Clip	1
Not Shown	72669A	Pad, Spring Clip	1
Not Shown	7BH004	Screw, 10-32x3/8" Phil Pan MS, 18-8 SS	2
Not Shown	72703A	Screw, 8-32 x 2"	4
Not Shown	7CZ001	Hose Vacuum 2" Diameter X 20" Length	1
Not Shown	PX215+	Clamp, 2-1/2" Worm Gear SS, Hex Slot, Size 32	4
Not Shown	72699A	Foam Switch Panel	1
Not Shown	X9520+	EMC Filter	1
Not Shown	PT400H	Pump Priming Hose	1
Not Shown	70079C	Hose Clear Wire Reinforced 1/2" Diameter X 26" Length	1
Not Shown	72031A	Hose 3/8 WIRE Reinforced 3/8" Diamter X 25" Length	1
	<b>ACCESSORIES</b>		
Not Shown	20-0175-0000	Hose (required for wand)	1
Not Shown	20-0177-0000	Wand – single jet stainless steel	1
Not Shown	20-0178-0000	Wand – twin jet	1
Not Shown	20-0180-0000	6m high pressure hose (400)	1
Not Shown	20-0181-0000	15m high pressure hose (400)	1
Not Shown	20-0182-0000	Upholstery tool (Stainless steel) (400)	1



# Tacony CFC

# Hydromist 55 Litre Parts List

Part Number:

**HM55/400**

Date: 05-Sept-18

Drawing Number: 09-1110-0000

Drawing Issue: B

Modified By: J WYLES

Reference Parts List Issue: 8

Sheet no.

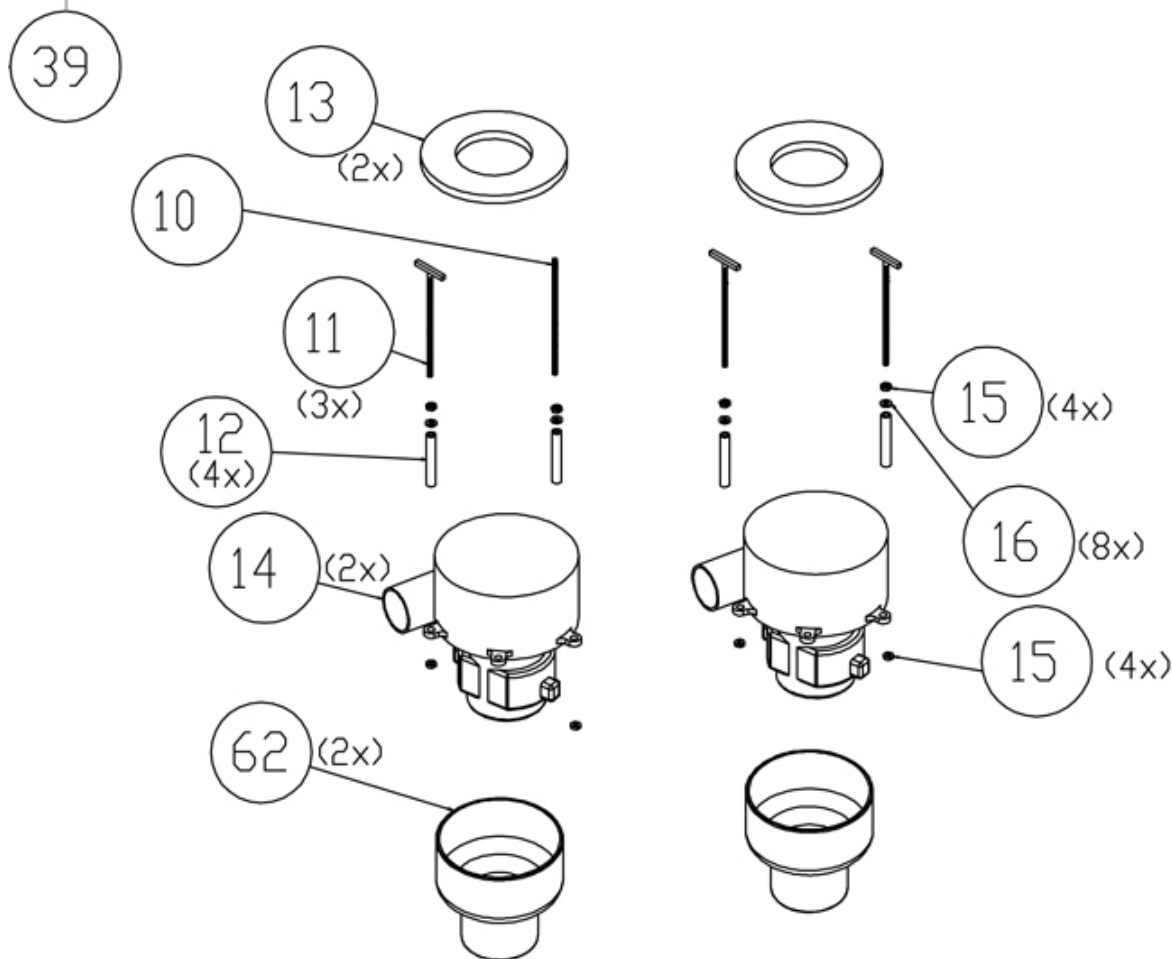
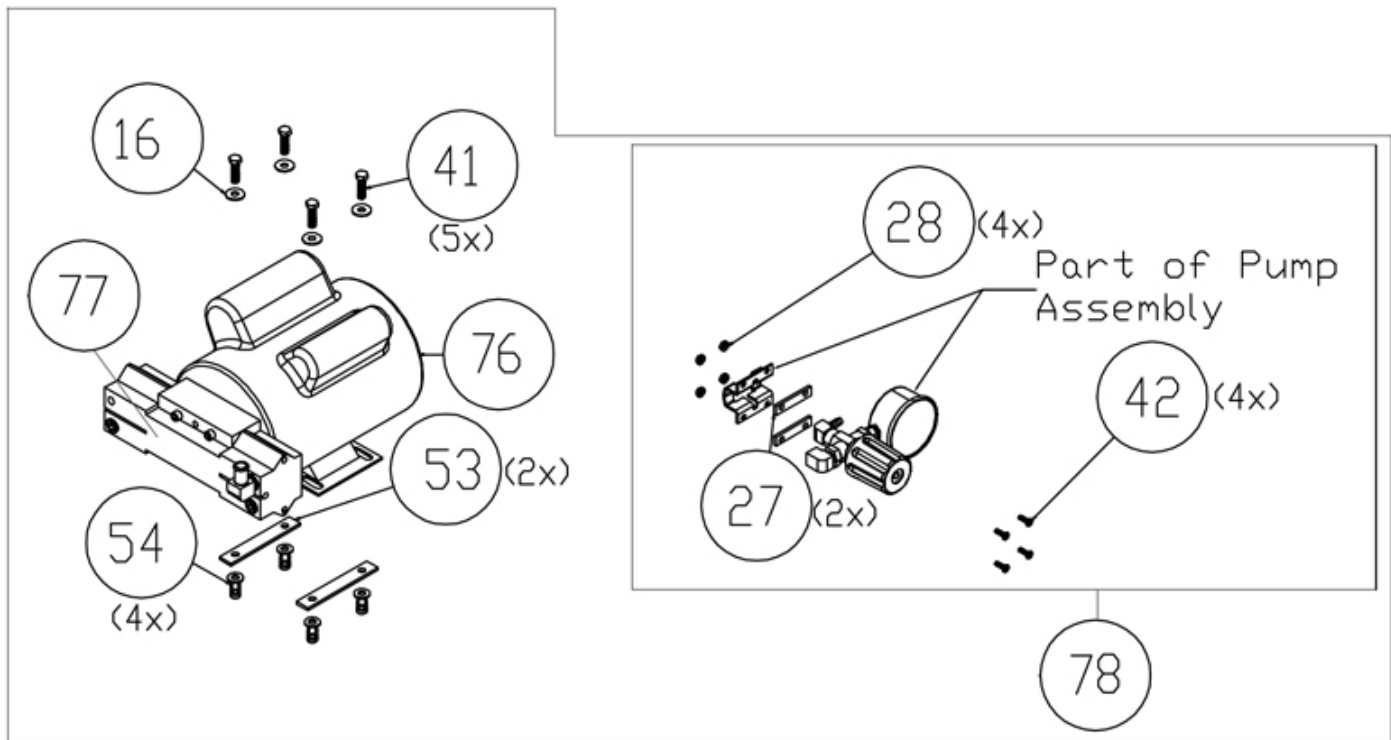
2 / 3

DESCRIPTION OF CHANGE

ECN #

-

-



# Tacony CFC

## Hydromist 55 Litre Parts List

Part Number:

**HM55/400**

Date: 05-Sept-18

Sheet no.

Drawing Number: 09-1110-0000

3 / 3

Drawing Issue: B

Modified By: J WYLES

DESCRIPTION OF CHANGE

ECN #

Reference Parts List Issue: 8

-

-

# HM55/400

