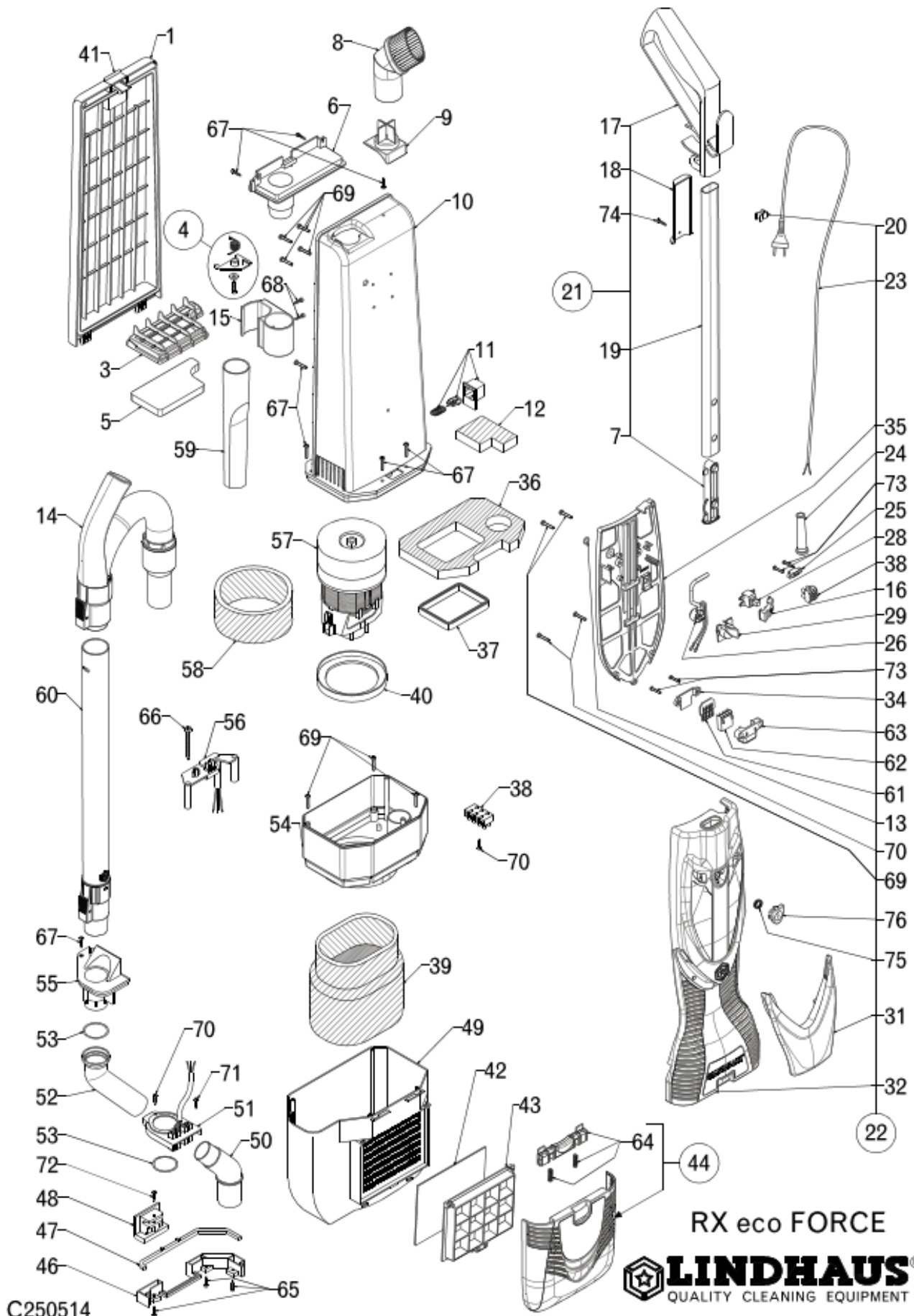


<b>Tacony CFC</b>		<b>Lindhaus 380 ECO FORCE</b>	
<b>Part Number:</b>		<b>LIND380E</b>	
Series:		A	
Date:		06-Nov-19	
Reference Drawing Number:		Lindhaus 380 Eco Force (As Supplied)	
Reference Drawing Issue:		A	
Modified By:		J WYLES	
Service Parts List Issue:			3
Description of Change:			EURO Power Cord Included (Euro version only)
			<b>ECN #</b>
			-

Ref. No.	Part No.	Part Description	Qty
		<b>DRAWING REF: LINDAUS 380 ECO - SHEET 1</b>	
1	95-0380-0000	BAG HOUSING COVER GREY	1
3	95-0002-0000	FILTER HOLDER	1
4	95-0172-0000	SAFETY SUPPORT KIT	1
5	95-0095-0000	INTERNAL FILTER	1
6	95-0169-0000	BAG ENTRANCE C/W ITEM 4	1
7	95-0171-0000	HANDLE BUTTON ASSEMBLY	1
8	95-0109-0000	DUSTING BRUSH	1
9	95-0027-0000	DUSTING BRUSH SUPPORT	1
10	95-0406-0000	BAG HOUSING COMPLETE	1
11	95-0125-0000	VALVE KIT	1
12	95-0087-0000	VALVE FILTER	1
13	95-0071-0000	O' RING	1
14	95-0381-0000	EXTENSION HOSE WITH HANDLE GRIP FOR RX/CHPRO	1
15	95-0062-0000	WAND CLIP	1
16	95-0407-0000	SWITCH BUTTON	1
17	95-0375-0000	BLUE HANDLE	1
18	95-0408-0000	ADAPTOR	1
19	95-0173-0000	CHROME TUBE	1
20	95-0244-0000	CORD CLIP	1
21	95-0409-0000	HANDLE TUBE ASSEMBLY	1
22	95-0376-0000	ELECT. SYSTEM ASSY UK PLUG	1
23a	93-0042-0000	POWER CORD UK (UK ONLY)	1
23b	04-4019-0000	POWER CORD EURO 2CORE 1MMSQ YELLOW FERRULED (EURO C	1
24	95-0005-0000	STRAIN RELIEF	1
25	95-0001-0000	CABLE CLAMP	1
26	95-0410-0000	VACUUM SENSOR	1
28	95-0378-0000	MAINS SWITCH	1
29	95-0411-0000	RED LENS	1
31	95-0412-0000	HOOK CENTRAL HANDLE BLUE	1
32	95-0413-0000	COVER HANDLE	1
34	95-0414-0000	CONTACT COVER	1
35	95-0415-0000	FRAME HANDLE	1
36	95-0069-0000	FOAM FILTER	1
37	95-0003-0000	GASKET	1

38	95-0246-0000	TERMINAL BLOCK 2 POLES	1
39	95-0098-0000	FOAM MOTOR FILTER	1
40	95-0416-0000	GASKET	1
41	95-0417-0000	BAG DOOR LATCH + SPRING	1
42	95-0168-0000	MICROFILTER	1
43	95-0247-0000	EXHAUST GRILL	1
44	95-0374-0000	FRONT GRILL GREY	1
46	95-0241-0000	BLOCKING JOINT PIN SUPPORT	1
47	95-0085-0000	JOINT PIN	1
48	95-0418-0000	CONTROL PIN SLIDE	1
49	95-0419-0000	VACUUM MOTOR HOUSING	1
50	95-0024-0000	LOWER CURVE	1
51	95-0420-0000	CURVE SUPPORT 230V	1
52	95-0023-0000	UPPER CURVE	1
53	95-0072-0000	O' RING	1
54	95-0373-0000	INNER VACUUM MOTOR HOUSING	1
55	95-0068-0000	HOSE INLET	1
56A	95-0421-0000	CORD CLAMP W/OUT ELECT.2 WIRES V.100/120/230/240 NEW	1
56B	95-0422-0000	CORD CLAMP W/OUT ELECT.3 WIRES NEW	1
57	95-0423-0000	VACUUM MOTOR 230V	1
58	95-0070-0000	FOAM FILTER	1
59	97-0100-0000	CREVICE TOOL	1
60	95-0424-0000	TELESCOPIC WAND for RX	1
61	95-0425-0000	CONTACT COVER 4 POS. NEW	1
62	95-0426-0000	CONTACT HOUSING 4 POS. NEW	1
63	95-0427-0000	CONTACT HOUSING	1
64	95-0428-0000	BOTTON COVER KIT BLUE	1
65	95-0429-0000	SCREW 3,5x13 (WRAPPING OF 20 PCS)	1
66	95-0430-0000	WRAPPING OF 20 PCS SCREW 3,5x57	1
67	95-0431-0000	SCREW 3,5x22 (WRAPPING OF 20 PCS)	1
68	95-0432-0000	SCREW 3,5x16 (WRAPPING OF 20 PCS)	1
69	95-0400-0000	WRAPPING OF 20 PCS SCREW 3,5x25	1
70	95-0434-0000	WRAPPING OF 20 PCS SCREW 3,5x19	1
71	95-0399-0000	SCREW 3,9x13 (WRAPPING OF 20 PCS)	1
72	95-0396-0000	SCREW 3,9x22 (WRAPPING OF 20 PCS)	1
73	95-0437-0000	SCREW 2,9x16 (WRAPPING OF 20 PCS)	1
74	95-0438-0000	WRAPPING OF 20 PCS SCREW 3,9x16	1
75	95-0439-0000	HANDLE SPRING	1
76	95-0468-0000	BUTTON BLUE	1



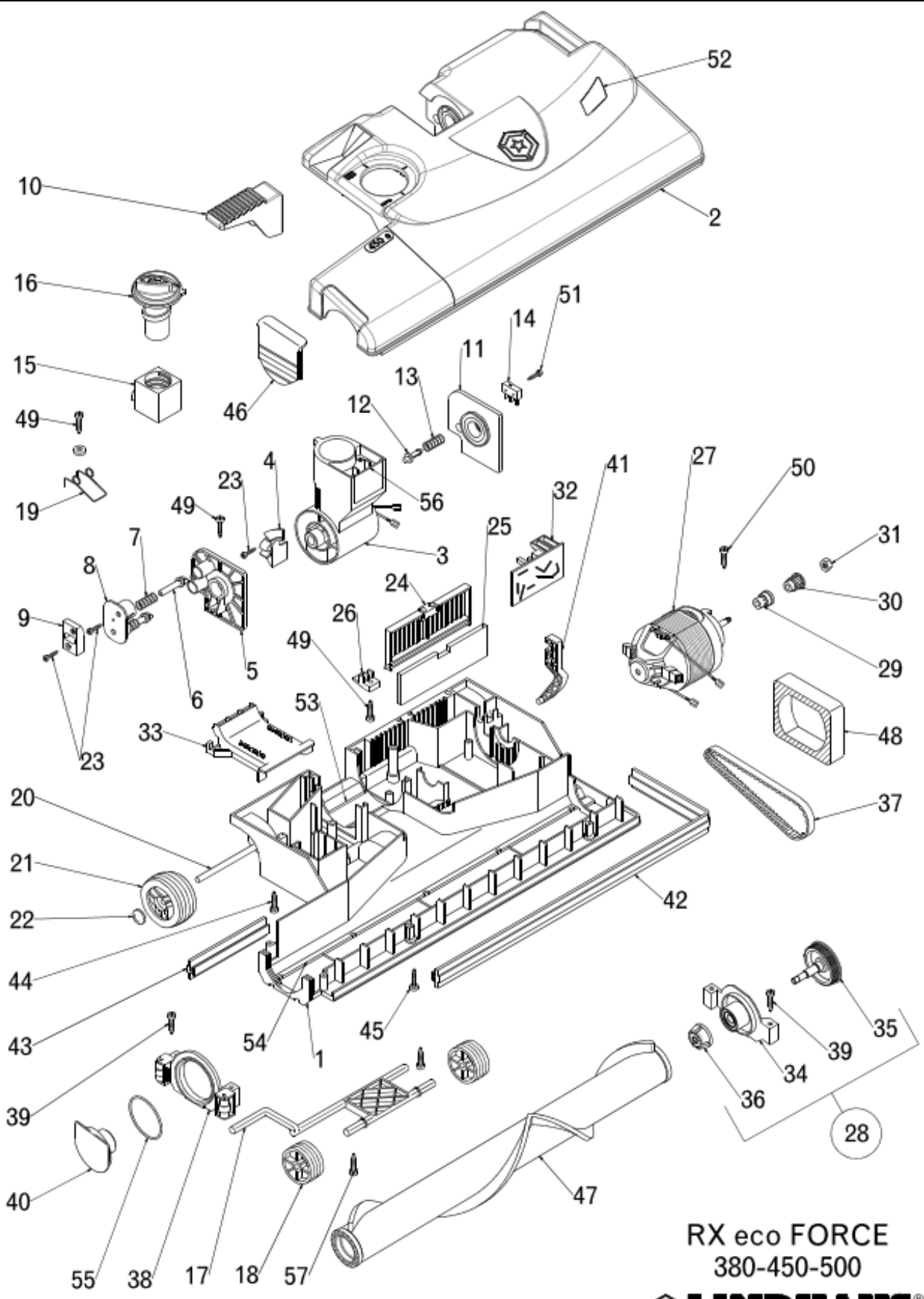
C250514

RX eco FORCE  
**LINDHAUS**  
 QUALITY CLEANING EQUIPMENT

<b>Tacony CFC</b>		<b>Lindhaus 380 ECO FORCE</b>	
<b>Part Number:</b>		<b>Lind380E</b>	
Date:	11-Jun-19	Sheet no.	
Drawing Number:	Lindhaus 380 Eco Force (As Supplied)	1 / 2	
Drawing Issue:	A	DESCRIPTION OF CHANGE	ECN #
Modified By:	J WYLES	-	-

Ref. No.	Part No.	Part Description	Qty
		<b>DRAWING REF: LINDAUS 380 ECO - SHEET 2</b>	
1	95-0145-0000	BODY, MAIN BRUSH HEAD - 380 (14")	1
1B	95-0155-0000	BODY, MAIN BRUSH HEAD - 450 (18")	1
1C	95-0146-0000	BODY, MAIN BRUSH HEAD - 500 (20")	1
2	95-0386-0000	ELECTRIC BRUSH COVER - 380 (14")	1
2B	95-0157-0000	ELECTRIC BRUSH COVER - 450 (18")	1
2C	95-0158-0000	ELECTRIC BRUSH COVER - 500 (20")	1
3	95-0147-0000	JOINT COMPLETE 230V	1
4	95-0053-0000	JOINT PIN SLIDE	1
5	95-0140-0000	SUPPORT RIGHT JOINT	1
6	95-0015-0000	PLUNGER	1
7	95-0076-0000	SPRING DOWEL RELEASE	1
8	95-0253-0000	DOUBLE PIN WASHER	1
9	95-0048-0000	DOUBLE RELEASE PLATE	1
10	95-0383-0000	FOOT PEDAL BLUE	1
11	95-0141-0000	SUPPORT LEFT JOINT	1
12	95-0010-0000	SWITCH ACTIVATOR PIN	1
13	95-0080-0000	SPRING	1
14	95-0102-0000	MICROSWITCH	1
15	95-0254-0000	BRUSH ADJUSTER	1
16	95-0387-0000	ADJUSTING KNOB	1
17	95-0091-0000	FRONT AXLE	1
18	95-0050-0000	FRONT WHEEL	2
19	95-0256-0000	SPRING BRUSH ADJUST	1
20	95-0094-0000	SHAFT FOR FIXED WHEELS	1
21	95-0051-0000	BIG WHEEL	2
22	95-0388-0000	WHEEL RETAINER	2
23	95-0389-0000	SCREW 2,9 x 16	2
24	95-0390-0000	FILTER GRILL	1
25	95-0089-0000	EXHAUST FILTER	1
26	95-0391-0000	STOP GRILL PLATE	1
27	95-0112-0000	BRUSH MOTOR 240V 380 (15")	1
27B	95-0114-0000	BRUSH MOTOR 240V 450-500 (18"-20")	1
28	95-0377-0000	TRANSMISSION SUPPORT W/ PULLEY	1
29	95-0065-0000	PINION SPACER	1
30	95-0064-0000	PINION	1
31	95-0392-0000	NUT M4 (WRAPPING OF 20 PCS)	1
32	95-0105-0000	CIRCUIT BOARD 230V	1
33	95-0393-0000	CHANNEL COVER	1
34	95-0377-0000	TRANSMISSION SUPPORT W/ PULLEY	1
35	95-0394-0000	PULLEY	1
36	95-0395-0000	BRUSH PULLEY NUT	1
37	95-0379-0000	TIMING BELT 7MM	1
38	95-0142-0000	WHEELS SUPPORT	1
39	95-0396-0000	SCREW 3,9 x 16	4
40	95-0143-0000	ROLLER SUPPORT	1
41	95-0049-0000	SLIDE LEVER	1
42	95-0384-0000	FRONT BUMPER 380 (15")	1
43	95-0385-0000	BACK BUMPER 380 (15")	1

44	95-0397-0000	WRAPPING OF 20 PCS SCREW 4,8x50	1
45	95-0398-0000	WRAPPING OF 20 PCS SCREW 3,5x38 087280009	1
46	95-0382-0000	SIDE COVER BLUE	1
47	95-0506-0000	BRUSH ROLLER 350 (14")	1
47B	95-0066-0000	BRUSH ROLLER 450 (18")	1
47C	95-0043-0000	BRUSH ROLLER 500 (20")	1
48	95-0082-0000	MOTOR FILTER	1
49	95-0399-0000	SCREW 3,9 x 13	1
50	95-0400-0000	SCREW 3,5 x 16	1
51	95-0401-0000	SCREW 2,2 x 16	1
52	95-0402-0000	LIGHT COVER	1
53	95-0265-0000	FELT FOR BRUSH HOUSING	1
54	95-0159-0000	BASE METAL GUIDES SET 380 (15")	1
54B	95-0160-0000	BASE METAL GUIDES SET 450 (18")	1
54C	95-0161-0000	BASE METAL GUIDES SET 500 (20")	1
55	95-0092-0000	O'RING	1
56	95-0403-0000	MALE ELEC. CONNECTION SET 100/230/240V	1
57	95-0404-0000	WRAPPING OF 20 PCS SCREW 3,9x13 TG 086450009	1
Not Shown	95-0405-0000	CARBON BRUSH (BRUSH MOTOR)	1



RX eco FORCE  
380-450-500



B060614

<b>Tacony CFC</b>		<b>Lindhaus 380 ECO FORCE</b>	
<b>Part Number:</b>		<b>Lind380E</b>	
Date:	11-Jun-19	Sheet no.	
Drawing Number:	Lindhaus 380 Eco Force (As Supplied)	2 / 2	
Drawing Issue:	A	DESCRIPTION OF CHANGE	ECN #
Modified By:	J WYLES	-	-