

# OB28240 ORBIS COMPACT

230V 50/HZ

OB28240

OB28240/EURO

OB28240/OZ

SERIES D

Service Parts List Issue 12 Dated 23th sept 2021

Ref. Drawing 09-1059-0000 Issue 5 Dated 19th March 2019

Drawing Ref.	Assembly / Kit Number	Description / Part Number	Qty
	<b>OB28240 &amp; OB28240/EURO &amp; OB28240/OZ</b>	<b>ORBIS COMPACT 230V 50HZ UK &amp; EURO &amp; OZ</b>	<b>1</b>
1		00-0800-0501 M8 WASHER TYPE B	2
2		00-0800-0511 M8 SINGLE COIL SPRING WASHER	1
3		00-0800-0551 M8 WASHER	4
4		00-0800-0711 M8 HEX LOCK NUT BZP	1
5		00-0800-0751 M8 1/2 NYLOC NUT	2
6		02-3465-0000 SELF TAPPER (INNER SHIELD)	1
7		02-3515-0000 COVER SELF TAPPER KB60 x 40	6
8		02-4565-0000 M8x100 CAP HEAD BOLT	3
9		02-3537-0000 STRAPPING COIL 372.612.530 WHITE - NOT SHOWN ON DRAWING	8.66
11		03-5866-0500 DATA PLATE #ADDITIONAL SPEC. - NOT SHOWN ON DRAWING	1
13		03-8050-0067 ORBIS COMPACT BRUSH GUARD JET BLACK RAL9005	1
14		03-8068-0000 BODY CARTON PLAIN REF CP152468 - NOT SHOWN ON DRAWING	1
15		03-8069-0000 ORBIS COMPACT INSTRUCTION MANUAL - NOT SHOWN ON DRAWING	1
16		03-8075-0000 ELECTRICAL BLANKING PLATE	1
17		04-0221-0000 CABLE TIE BLACK REF NTB 50I - NOT SHOWN ON DRAWING	1
18	<b>05-4421-0000</b>	<b>ORBIS COMPACT 230V 50Hz BASE ASSEMBLY</b>	
19		00-0800-0751 M8 1/2 NYLOC NUT	5
20		00-0830-0111 M8 x 30 HEX HD BOLT	5
21		02-3515-0000 COVER SELF TAPPER KB60 x 40	6
22	<b>05-4419-0000</b>	<b>ORBIS COMPACT CHASSIS ASSEMBLY INCLUDES THE FOLLOWING PARTS:</b>	
23		02-0254-0000 STARLOCK WASHER	2
24		02-3185-0000 CRINKLE WASHER	2
25		02-3649-0000 WHEEL 7" CHAMP MK2	2
26		03-5736-0000 WHEEL AXLE SPACER	2
27		02-3124-0000 WHEEL CAP	2
29		03-8049-0035 ORBIS COMPACT BASE MOULD (RAL 7021)	1
30		03-8057-0000 WHEEL AXLE	1
31		04-3212-0000 M20 CABLE GLAND	1
32		04-3213-0000 M20 CABLE GLAND BACK NUT	1
33	<b>05-4420-0000</b>	<b>ORBIS COMPACT MOTOR DRIVE PLATE ASSEMBLY</b>	
34		00-0400-0721 M4 HEX NYLOC NUT BZP DIN985	1
35		00-0416-0011 M4 X 16 PAN POZI M/C SCREW BZP	1
36		00-0500-0501 M5 WASHER FORM A	1
37		00-0500-0511 M5 SINGLE COIL SPRING WASHER	1
38		00-0500-0531 M5 EXTERNAL SHAKEPROOF WASHER	1
39		00-0510-0011 M5 x 10 POZI PAN SCREW	1
40		00-0510-0091 M5 x 10 SOCKET HD SCREW	1
41		00-0600-0511 M6 SINGLE COIL SPRING WASHER	1
42		00-0625-0111 M6 x 25 HEX HEAD SCREW	1
43		00-0800-0511 M8 SINGLE COIL SPRING WASHER	4
44		00-0800-0551 M8 WASHER	4
45		00-0816-0091 M8 x 16 CAP HEAD SCREW	4
46		00-2000-0501 M20 PLAIN WASHER FORM B Z/P	2
47		00-2000-0521 M20 INTERNAL SHAKEPROOF WASHER	1
48		00-2000-0701 M20 FULL NUT Z/P	1
49		02-3250-0000 M8 FAN DISC WASHER ZINC PLATED	1
50		02-4555-0000 BELT TENSIONER [ROSTA]	1
51		02-4556-0000 DRIVE BELT PJ584	1
52		03-8054-0000 MOTOR MOUNTING PLATE	1
53		04-0279-0000 CABLE TIE - BLACK LK3X	2
54		04-3931-0500 MOTOR 550W 4 POLE 230V 50 Hz	1
54a		04-4005-0000 FAN ONLY (included in 04-3931-0000)	1
55		04-3925-0000 RELAY 230V 550W MOTOR	1
56		04-3898-0000 10UF RUN CAPACITOR	1
57		04-3932-0000 51 - 68UF START CAPACITOR	1
58		NOT USED	
59		04-3901-0000 ORBIS COMPACT WIRING LOOM - NOT SHOWN ON DRAWING	1
60	<b>05-4401-0000</b>	<b>ORBIS COMPACT DRIVE PULLEY ASSEMBLY</b>	
61		00-0800-0751 M8 1/2 NYLOC NUT	3
62		00-0830-0091 M8 X 30 SKT CAP SCREW BZP	3
63		02-3846-0000 BEARING 6005-2RS FAG-KBC	2
64		03-6077-0000 ENGAGEMENT HUB	1
65		03-8129-0000 CENTRE SPINDLE	1
66		02-4554-0000 CIRCLIP EXTERNAL 25mm ST/ST	1
67		03-8055-0000 ORBIS COMPACT DRIVE PULLEY	1

68	05-4434-0000	ORBIS COMPACT TENSION ROLLER ASSEMBLY		
69		M8 WASHER		1
70		M8 1/2 NYLOC NUT		1
71		M8 x 45 HEX HEAD SET SCREW Z/P		1
72		BEARING 6002-2RS		2
73		ORBIS COMPACT ALUMINIUM IDLER PULLEY		1
74		ORBIS COMPACT IDLER PULLEY BEARING SPIGOT		1
75	05-4422-0000	ORBIS COMPACT MOTOR COVER ASSEMBLY		
76		02-0264-1000 NYLON TUBING 8mm PNSM 8-6		0.18
77		02-0264-1000 NYLON TUBING 8mm PNSM 8-6		0.04
78		02-3465-0000 SELF TAPPER (INNER SHIELD)		4
79		02-3636-0000 BULKHEAD FITTING PM1208E		1
80		02-4496-0000 O-RING		4
81		02-4575-0000 8 x 5/16 PAN POZI PLASFIX B/ZP		4
82		03-5482-0000 TRUVOX DECAL 60 x 60 - NOT SHOWN ON DRAWING		1
83		03-6182-0000 M15x3MM PLAIN WASHER RUBBER NEOPRENE 15MM ID		1
84		03-8051-0067 ORBIS COMPACT MOTOR COVER JET BLACK RAL9005		1
85		03-8052-0035 ORBIS COMPACT FAN COVER (RAL 5021)		1
86		03-8053-0024 ORBIS COMPACT INNER DISC (BLACK)		1

## OB28240 ORBIS COMPACT HANDLE PARTS LIST

**230V 50/HZ**

**05-4423-0000 - UK**

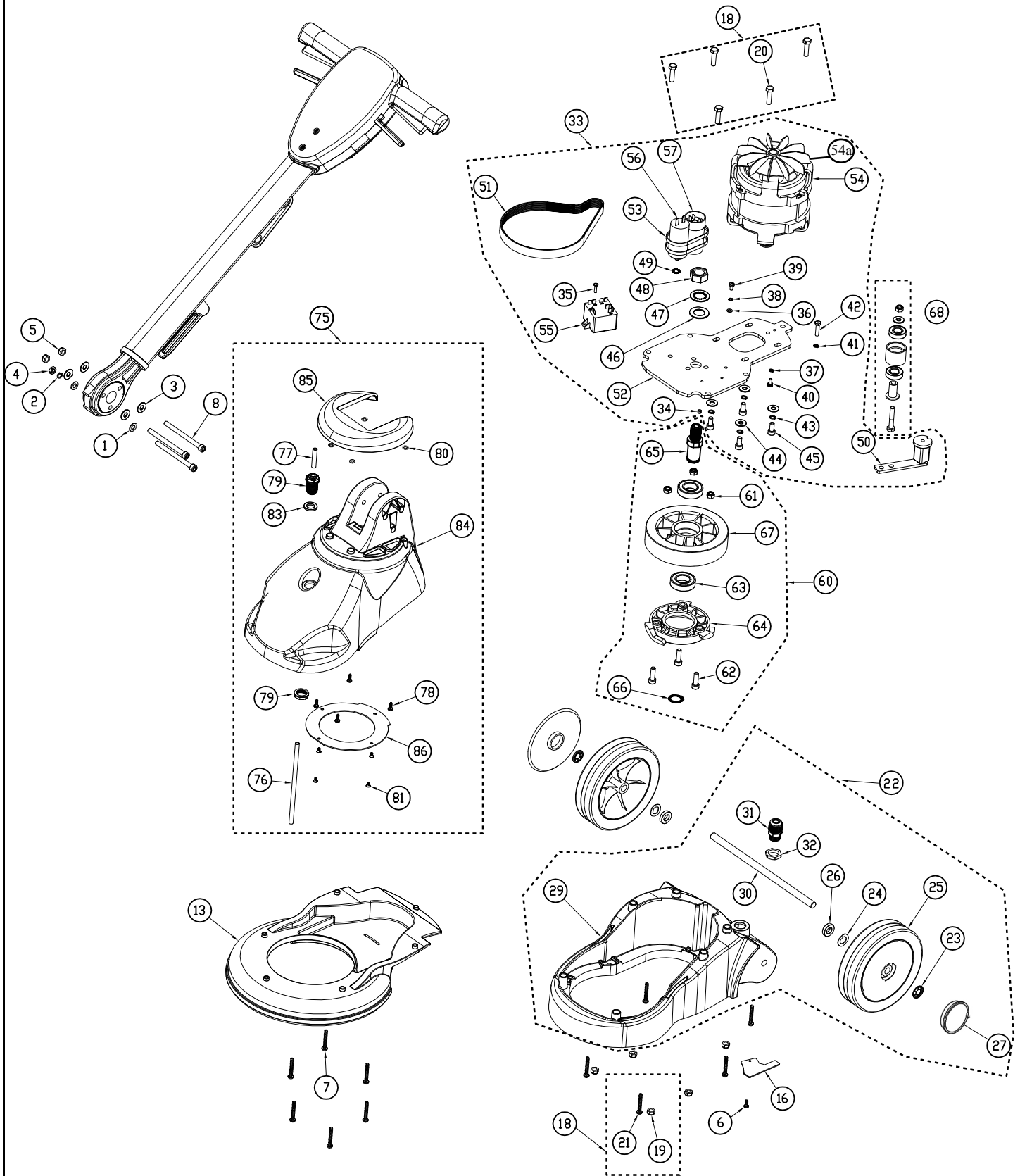
**05-4483-0000 - EURO**

**05-4515-0000 - OZ**

**SERIES C**

Ref. Drawing 09-1060-0000 Issue 5 Dated 19th March 2019

Drawing Ref.	Assembly / Kit Number	Description / Part Number	Qty
	OB28240 & OB28240/EURO & OB28240/OZ	ORBIS COMPACT 230V 50HZ UK & EURO & OZ HANDLE PARTS LIST	1
	05-4423-0000 (i)	ORBIS COMPACT HANDLE ASSEMBLY UK SEE DRAWING 09-1060-0000	
OR	05-4483-0000 (ii)	ORBIS COMPACT HANDLE ASSEMBLY EURO SEE DRAWING 09-1060-0000	
OR	05-4515-0000 (iii)	ORBIS COMPACT HANDLE ASSEMBLY OZ SEE DRAWING 09-1060-0000	
1		00-0500-0501 M5 WASHER FORM A	1
2		00-0500-0511 M5 SINGLE COIL SPRING WASHER	1
3		00-0500-0531 M5 EXTERNAL SHAKEPROOF WASHER	1
4		00-0500-0701 M5 HEX FULL NUT BZP	5
5		00-0520-0111 M5 X 20 HEX SET SCREW BZP	2
6		00-0600-0521 M6 INT S/PROOF WASHER BZP	2
7		00-0600-0701 M6 HEX FULL NUT BZP	2
8		00-0650-0011 M6 X 50 HEX SET SCREW A2	2
9		00-0800-0501 M8 WASHER TYPE B	2
10		00-0800-0511 M8 SINGLE COIL SPRING WASHER	2
11		00-0816-0111 M8 x 16 CAP HEAD SCREW	2
12		02-3151-0000 P CLIP - SPEC CPC 13 M5MSNE	1
13		02-3152-0000 CABLE STRAIN RELIEF BRACKET REF: BLACK 1053-4-00	1
14		02-3186-0000 MILD STEEL BALL BEARING 10MM DIA	2
15		02-3510-0000 HANDLE INTERLOCK SPRING SS5695 BS2056 27.3L 12.7OD	2
16		02-3511-0000 GEAR DOG SPRING 1139X2 13.98MM, 75.78MM COILS 16.4	1
17		02-3516-0000 KB50 x 40 SELF TAPPER	11
18		02-3517-0000 SELF TAPPER (POZI PAN HEAD) KB50 x 25	2
19		02-3518-0000 KB40 X 14 PAN POZI PT SCREW BZP	2
20		02-4210-0000 GROMMET 11.1MM BORE PV 70A	1
21		02-3523-0000 M6x8x40 SHOULDER BOLT	1
22		03-5403-0000 CABLE WINDER	1
23		03-5410-0000 CABLE WINDER SPRING	1
24		03-6086-0067 HANDLE CASE FRONT JET BLACK RAL9005	1
25		03-6087-0067 HANDLE CASE BACK JET BLACK RAL9005	1
26		03-6088-0067 SOLUTION LEVER JET BLACK RAL9005	1
27		03-6089-0067 GEAR LEVER JET BLACK RAL9005	1
28		03-6090-0067 TRIGGER LEFT & RIGHT JET BLACK RAL9005	2
29		03-6091-0000 HANDLE RUBBER BOOT MOULDING 70 SHORE NEOPRENE	2
30		03-6092-0067 INTERLOCK JET BLACK RAL9005	2
31		03-6093-0067 CORD INLET BOX JET BLACK RAL9005	1
32		03-6094-0067 CORD RETAINER JET BLACK RAL9005	1
33		03-6096-0000 HANDLE ADJ GEAR	1
34		03-6097-0000 HANDLE ADJUSTING GEAR DOG	1
35		03-6693-0067 HANDLE SOCKET BLANKING PLATE JET BLACK RAL9005	1
36		03-7831-0000 ALUMINIUM KNUCKLE PRESSURE DIE CAST	1
37		03-8059-0000 ORBIS COMPACT OVAL TUBE	1
38		03-8060-0000 ORBIS COMPACT GEAR ROD	1
39		04-0237-0000 CABLE CLAMP BAR TYPE CLAMP NO: 704	1
40		04-3254-0000 GREEN INDICATOR LIGHT 230V C0430ATNAC	1
41		04-4024-0000 SWITCH 700-2/6 REF 1620017380 WITH T-SECTION ACTUATOR	1
42		04-3242-0000 16amp INPUT SOCKET STF950 A1 6.3 X 0.8MM PUSH IN TAGS	1
43		04-4027-0000 ORBIS COMPACT DROP LEAD - (NOT SHOWN ON DRAWING)	1
44		04-3901-0001 ORBIS COMPACT INTERCONNECTION LEAD - (NOT SHOWN ON DRAWING)	1
45		04-3901-0002 RED LEAD - 150MM LONG- (NOT SHOWN ON DRAWING)	
46		04-3901-0003 BROWN LEAD - 100MM LONG- (NOT SHOWN ON DRAWING)	
47 (i)		04-3055-0053 CORDSET UK PLUG 16A CONNECTOR (NOT SHOWN ON DRAWING)	1
47 (ii)		04-3055-0153 CORDSET EURO PLUG 16A CONNECTOR (NOT SHOWN ON DRAWING)	1
47 (iii)		04-3055-0353 20M MAINS CABLE (ORANGE) WITH AUSTRALIAN PLUG (NOT SHOWN ON DRAWING)	1



**Tacony CFC**

**Orbis Compact**

Part Number:

**OB28240**

Date: 19-Mar-19

Sheet no.

Drawing Number: 09-1059-0000

1 / 2

Drawing Issue: 5

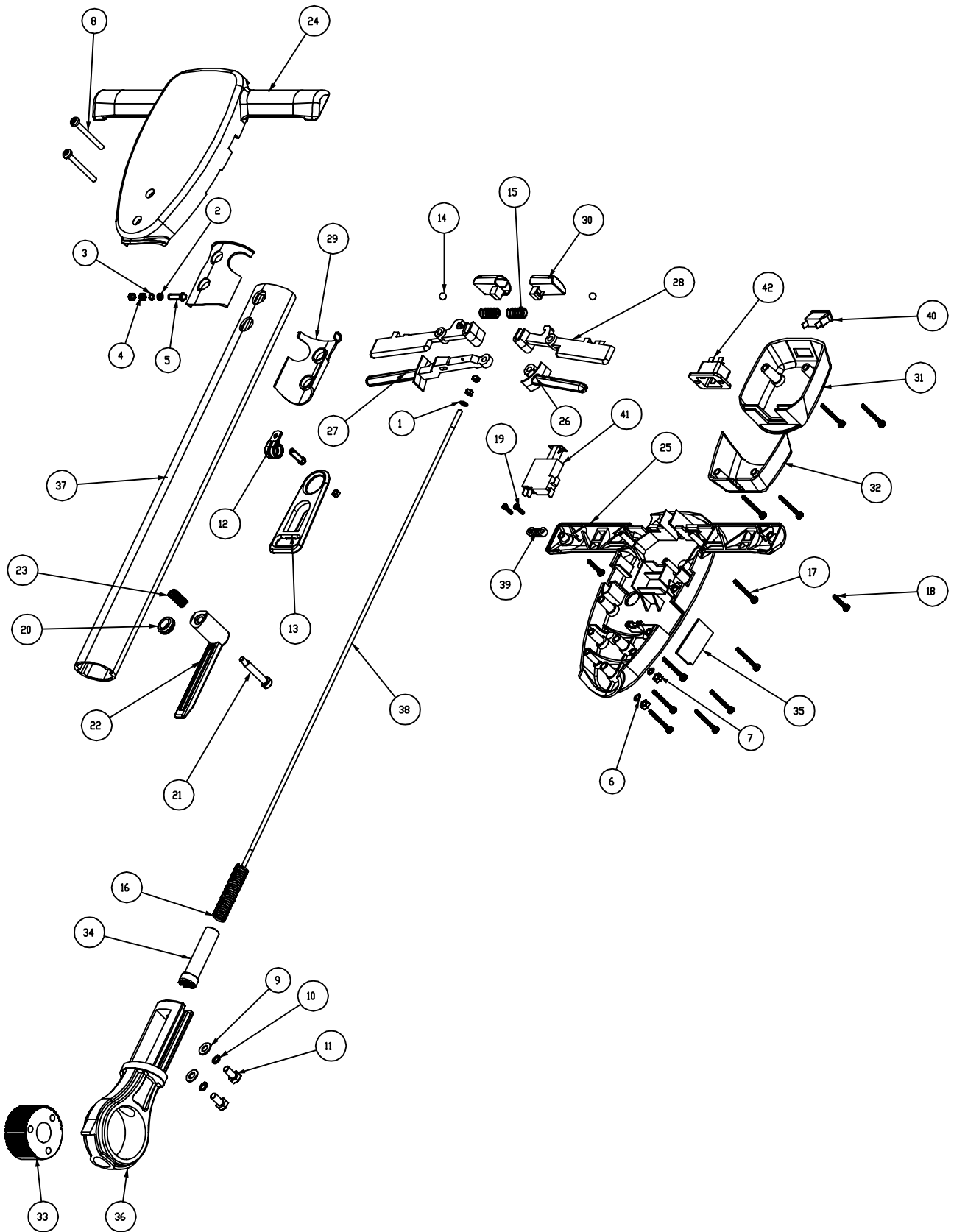
DESCRIPTION OF CHANGE

ECN #

Modified By: J WYLES

New Part: Fan Only (Item 54a)

1233



**Tacony CFC**

**Orbis Compact - Handle Assembly**

**Part Number:**

**OB28240**

Date: 19-Mar-19

Sheet no.

Drawing Number: 09-1060-0000

2 / 2

Drawing Issue: 5

**DESCRIPTION OF CHANGE**

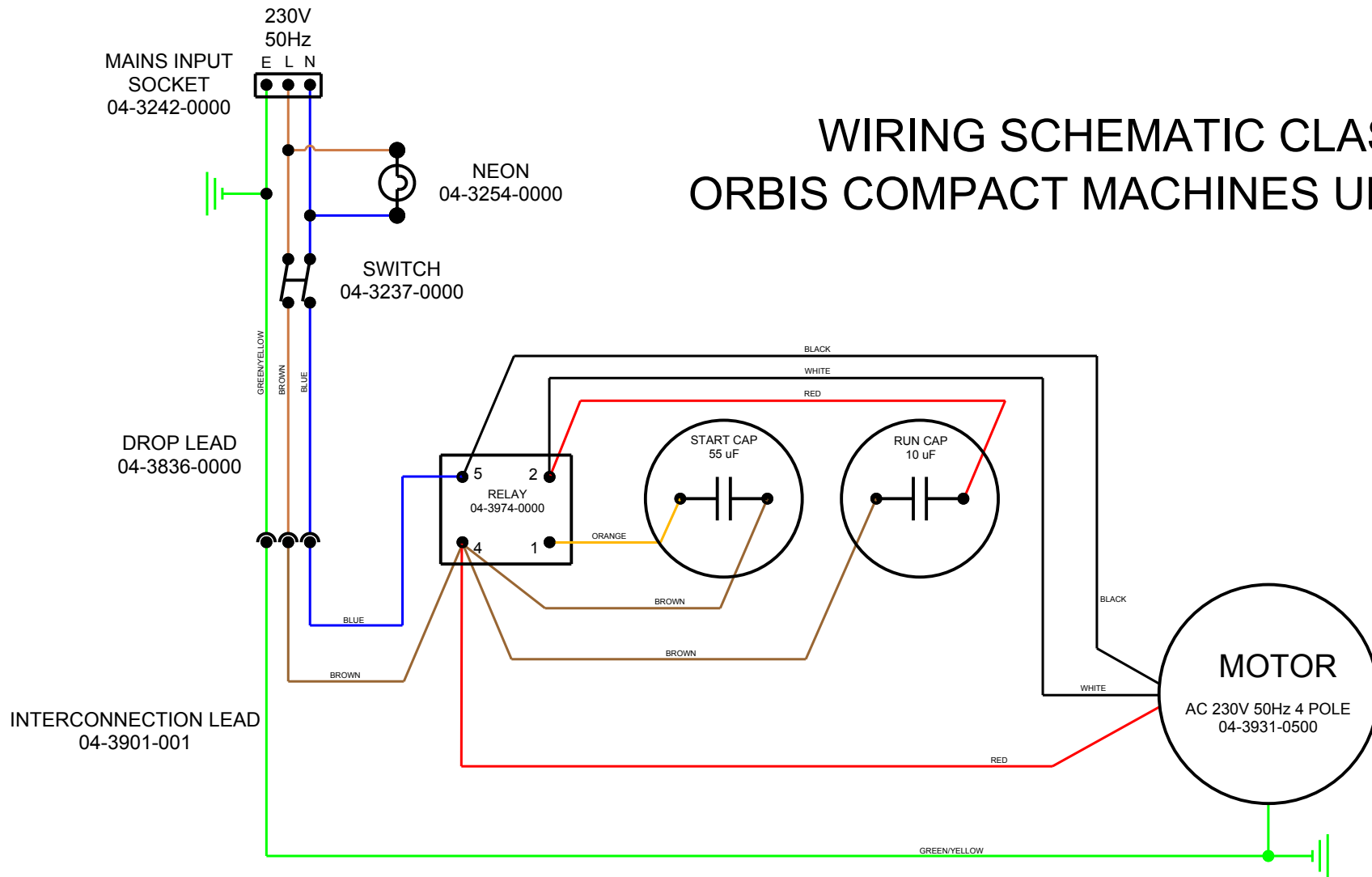
**ECN #**

Modified By: J WYLES

New Part: Fan Only (Item 54a)

1233

# WIRING SCHEMATIC CLASS I ORBIS COMPACT MACHINES UK & EURO



				MATERIAL:		GEN TOL X ± 0.5 X.X ± 0.2 X.XX ± 0.1 ANG ± 0.5°		TM TRUVOX INTERNATIONAL LIMITED		
2	1258	NOW USING TACONY MOTOR CAPS & RELAY	NMN	29 MAY 19	FINISH:		SCALE: X : X			TITLE:
1	1027	NOW USING LEMAC MOTOR CAPS & RELAY	NMN	20 SEP 11			DRN	CKD	ORBIS COMPACT CLASS 1 230V 50HZ MOTOR WIRING	09-1111-0000
A	N/A	NEW DRAWING	MDC	12 FEB 09			NMN			
ISSUE	ECN	CHANGES	INT	DATE						