

<b>Tacony CFC</b>		<b>Orbis Low Profile Duo 230V UK &amp; EURO Parts List</b>
<b>Part Number:</b>	<b>OBLP452/400 and OBLP452/400/EURO</b>	
Base Assembly P/N:	05-4218-0000	
Handle Assembly P/N:	05-4614-0000 (UK), 05-4616-0000 (Euro)	
Series:	H (starting S/N 050769)	
Date:	14-Jan-22	
Reference Drawing:	09-1047-0000 (Handle), 09-1062-0000 (Head assy), 09-1063-0000 (Chassis), N/A (Tank Assy)	
Reference Drawing Issue:	C	
Modified By:	J Clarke	
Service Parts List Issue:	2	<b>ECN #</b>
Description of Change:	Motor Description Change	-

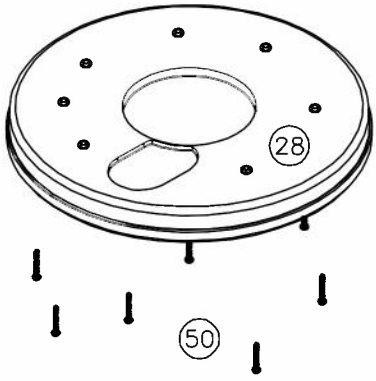
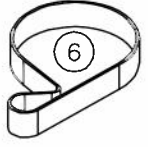
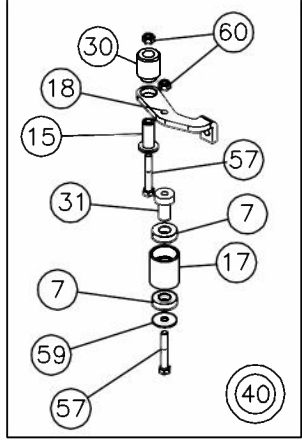
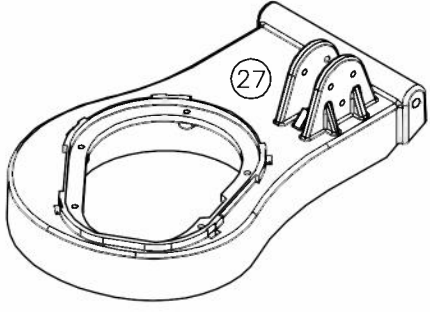
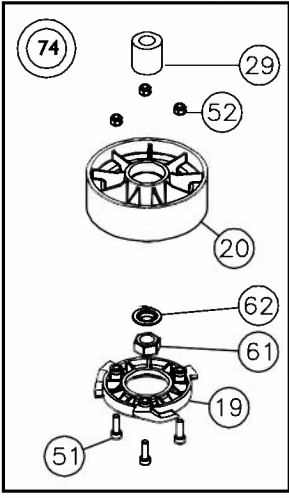
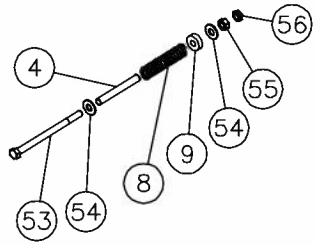
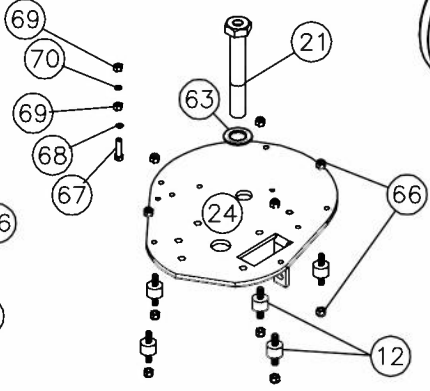
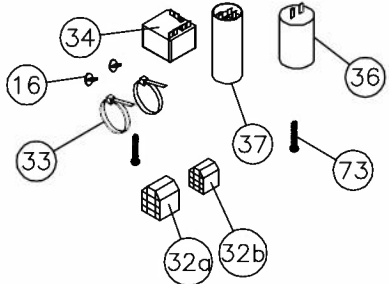
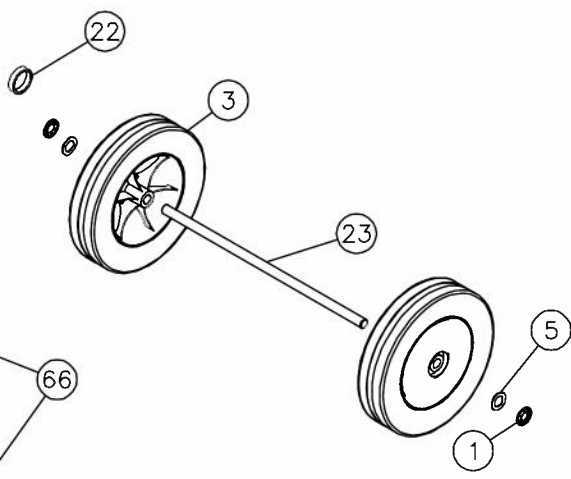
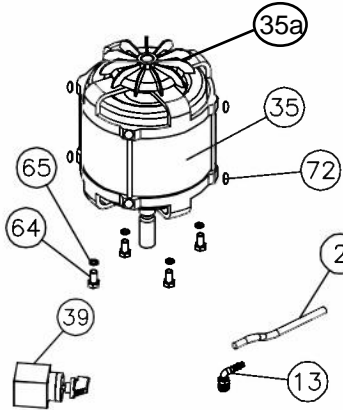
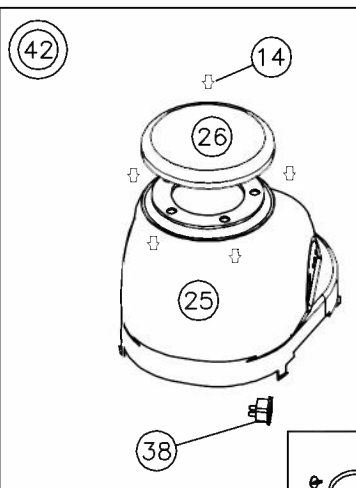
Ref. No.	Part No.	Part Description	Qty
1	02-0254-0000	Starlock washer	2
2	02-0264-1000	Pipe	0.145M
3	02-3121-0000	Wheel	2
4	02-3130-1000	Adjusting Bolt Thread Protection Tube	0.06M
5	02-3185-0000	Crinkle Washer	2
6	02-4586-0000	Belt - main drive	1
7	02-3812-0000	Belt Roller Bearings 6002	2
8	02-3501-0000	Belt Tensioning Spring	1
9	03-6172-0000	Rubber Washer	1
12	02-3507-0500	Flexible coupling - vibration damper	5
13	03-8323-0000	Barbed Elbow Fitting	1
14	03-6194-0000	Fan Cover Locking Pins	5
16	02-3543-0000	ORBIS Duo Capacitor Clips	3
19	03-6077-0000	Engagement Hub	1
20	03-8128-0000	Pulley	1
21	03-6079-0000	Spindle	1
22	02-3124-0000	Special Cap	2
23	03-6081-0000	Axle	1
24	03-6082-0000	Motor Mount Plate	1
25	03-6727-0067	Dual Speed Motor Cover Jet Black	1
26	03-6084-0035	Fan Cover	1
27	03-6101-0067	Base mold	1
28	03-6102-0035	Brush Guard 17" Teal	1
29	03-6106-0000	Output Drive Spacer	1
32a	04-3880-0000	4 Pin Receptacle	1
32b	04-3881-0000	4 Pin Connector	1
33	04-0221-0000	Cable Ties	3
34-37	SEE NOT BELOW - PRIOR TO CONTACTING TRUVOX PLEASE ADVISE WHICH MOTOR IS CURRENTLY IN THE MACHINE (SEE PAGE 2)		
38	04-3235-0000	Female Socket	1
39	10-0126-0000	ORBIS Duo Base Wiring Kit c/w Switch	1
40	05-3698-0000	Tension Arm and Roller Assembly	1
42	05-4221-0000	ORBIS Duo Low Profile Motor Cover Assembly	1

		<b><u>Fasteners</u></b>	
50	02-3515-0000	Self Tapper	7
51	00-0830-0091	Output Drive Hub/Pulley Fix M8 x 30 Socket Head Screw	3
52	00-0800-0721	Output Drive Hub/Pulley Fix M8 Nyloc	3
53	00-0899-0111	Tensioning Spring Bolt M8 x 130 Hex Head Screw	1
54	00-0800-0551	Tensioning Spring Washers Form "C" Large Diameter	2
55	00-0800-0701	Tensioning Spring Nut M8 Full Nut	1
56	00-0800-0711	Tensioning Spring Locknut M8 Lock Nut	1
57	00-0855-0121	Tension Arm Bolts M8 x 55 Hex Head Bolt	2
58	N/A	N/A	N/A
59	00-0800-0501	Belt Tension Roller Washer Form "C" Large Diameter	1
60	00-0800-0751	Bolt Securing Nut M8 Type "T" 1/2 Nyloc Nut	2
61	00-2000-0701	Output Drive Nut M20 Full Nut	1
62	00-2000-0521	Output Drive Securing Washer M20 Int Shakeproof Washer	1
63	00-2000-0501	Output Drive Washer M20 Plain Washer	2
64	00-0816-0111	Motor Mount Bolt M8 x 16 Hex Head Bolt	4
65	00-0800-0511	Motor Mount Spring Washer M8 Single Coil	4
66	00-0600-0721	Vibration Mount Nut M6 Nyloc Nut	10
67	00-0520-0111	Earth Mount on Plate M5 x 20 Hex Head Screw	2
68	00-0500-0531	Earth Mount on Plate Shakeproof M5 External Shakeproof	2
69	00-0500-0701	Earth Mount on Plate Nuts M5 Full Nut	3
70	00-0500-0511	Earth Mount on Plate Springwasher M5 Single Coil	2
71	N/A	N/A	N/A
72	02-4187-0000	Buffer Rubber 19mm Dia x 1.5mm Thk	10
73	02-3516-0000	Motor Cover Securing Screws	2
74	05-4732-0000	Orbis Duo pulley assy	1

<b>Motor 1 - Tyco</b>			
34	04-3888-0000	Relay	1
35	obsolete	Motor 110/550W (obsolete use 04-3917-0000)	1
36	04-3501-0000	Capacitor Start (obsolete use 04-3501-0500)	1
37	04-3720-0000	Capacitor Start 130 uf (obsolete)	1

<b>Motor 2 - Lemac</b>			
34	04-3925-0000	Relay	1
35	obsolete	Motor 1100/550W 230V 1PH 50HZ (obsolete)	1
35a	04-4003-0000	Fan Only (Lemac / Regal)	1
36	04-3926-0000	Capacitor Run 20 uf	1
37	04-3927-0000	Capacitor Start 160 uf	1

<b>Motor 3 - TACONY</b>			
34	04-3974-0000	Relay	1
35	04-3857-0500	Motor 1100/550W 230V 1PH 50HZ c/w Capacitors & Relay	1
35a	04-4005-0000	Fan Only	1
36	04-3501-0500	Capacitor Run 30 uf	1
37	04-3927-0000	Capacitor Start 160 uf	1

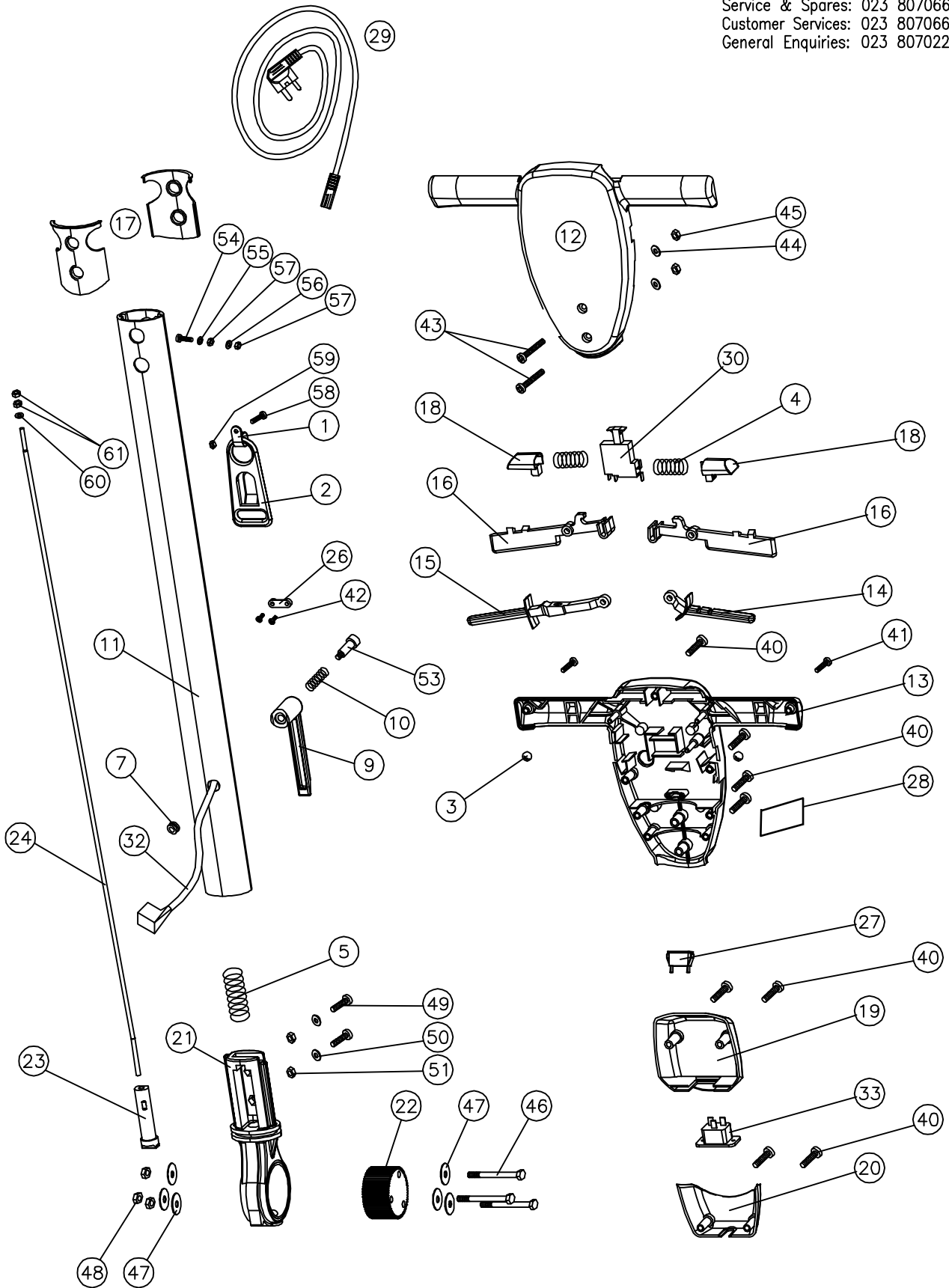


19.09.16		D	PULLY ASSY	ND							
07.03.16		C	WHEEL CAP	ND	SCALE	NTS	TITLE	G.A			
06.12.10	-	B	UPDATED	MC	CHECKED						
27.08.03	-	A	NEW DRAWING	SJ	DRN		PRODUCT	ORBIS DUO	DRAWING/PART No		
DATE	CRO No	ISS	REVISION RECORD	DR	CHK	SJ	27.08.03	LOW PROFILE BASE	09-1021-0000	A4	SHEET 1 OF 1 SHEETS

Ref. No.	Part No.	Part Description	Qty
		<b><u>Drawing Ref: 09-1002-0000 - Handle Assembly</u></b>	
1	02-3151-0000	P Clip	1
2	02-3152-0000	Cable Strain Relief Bracket	1
3	02-3186-0000	Ball bearing	2
4	02-3510-0000	Handle Interlock Spring	2
5	02-3511-0000	Gear dog Spring	1
7	02-3520-0000	Diaphragm Grommet	1
8	05-4721-0000	13mm Spanner for ORBIS (Not Shown)	2
9	03-5403-0000	Cable winder	1
10	03-5410-0000	Cable Winder Spring	1
11	03-6085-0000	Tube - handle aluminium ext.	1
12	03-6086-0067	Handle main - front Jet Black RAL9005	1
13	03-6087-0067	Handle main - rear Jet Black RAL9005	1
14	03-6088-0067	Solution Lever Jet Black RAL9005	1
15	03-6089-0067	Gear lever Jet Black RAL9005	1
16	03-6090-0067	Trigger left and right Jet Black RAL9005	2
17	03-6091-0000	Handle Rubber boot	2
18	03-6092-0067	Interlock Jet Black RAL9005	2
19	03-6093-0067	Cord inlet box Jet Black RAL9005	1
20	03-6094-0067	Cord retainer Jet Black RAL9005	1
21	03-7831-0000	Aluminium Knuckle	1
22	03-6096-0000	Gear	1
23	03-6097-0000	Dog	1
24	03-6098-0000	Adjusting Gear Rod	1
25	03-6120-0000	Instruction Manual (Not Shown)	1
26	04-0237-0000	Cable clamp	1
27	04-3254-0000	Neon Indicator Black/Green	1
28	03-6693-0067	Handle Socket Blanking Plate	1
29a	04-3055-0053	UK Supply Cord Set	1
29b	04-3055-0153	EURO Supply Cord Set	1
30	04-4024-0000	Switch	1
31	04-3937-0000	Handle Wiring Kit Without Power Take Off (Not Shown)	1
32	04-4025-0000	Drop lead	1
33	04-3242-0000	16Amp Inlet Socket	1
34	10-0123-0000	Orbis Handle Power Take Off (Not Shown)	1
35	04-3239-0000	Handle Wiring Kit With Power Take Off (Not Shown)	1
		<b><u>Fasteners</u></b>	
40	02-3516-0000	Self Tapper (Main Handle / Cord Inlet Box)	11
41	02-3517-0000	Self Tapper (Handle Ends)	2
42	02-3518-0000	Self Tapper (Cable Clamps)	2
43	00-0650-0011	Handle Tube Fix M6 x 55 Pozi Pan Head Screw	2
44	00-0600-0521	Handle Tube Fix M6 Shakeproof	2
45	00-0600-0701	Handle Tube Fix M6 Full Nut	2
46	00-0875-0121	Handle Attachment Bolt M8 x 70 Hex Head Bolt	3
47	02-0223-0000	Handle Attachment Washer Zinc Washer 5/16" x 1 1/4"	6
48	00-0800-0751	Handle Attachment Nut M8 Type "T" 1/2 Nyloc Nut	3
49	00-0816-0111	Knuckle Bolt M8 x 16 Hex Head	2
50	00-0800-0501	Knuckle Washer M8 "A" Form Washer	2
51	00-0800-0731	Knuckle Nut M8 Binx Nut	2

52	00-1020-0501	Knuckle Spring Spacer Washer M10 Washer	1
53	02-3523-0000	New Cable Winder Bolt Socket Shoulder Bolt M6 x 8 x 40	1
54	00-0520-0111	Earth Mount on Handle M5 x 20 Hex Head	1
55	00-0500-0531	Earth Mount on Handle Serrated Washer M5 External	1
56	00-0500-0511	Earth Mount on Handle Spring Washer M5 Single Coil	1
57	00-0500-0701	Earth Mount on Handle Fixing Nuts M5 Full Nut	2
58	00-0520-0111	Cable Restraint Bolt M5 x 20 Hex Head Screw	1
59	00-0500-0701	Cable Restraint Nut M5 Full Nut	1
60	00-0500-0501	Gear Rod Washer M5 Washer	1
61	00-0500-0701	Gear Rod Nuts M5 Full Nut	2

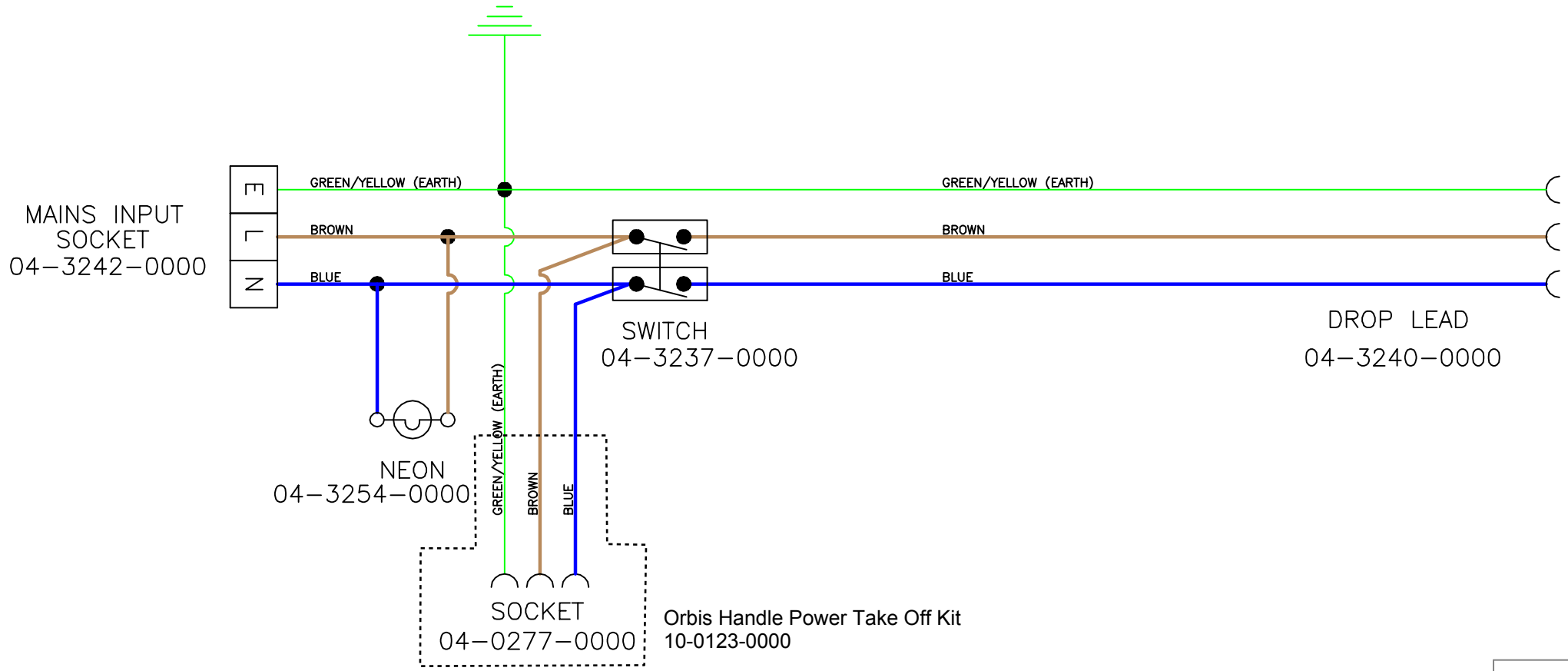
Service & Spares: 023 80706601  
 Customer Services: 023 80706600  
 General Enquiries: 023 80702200



23.02.16		C	REMOVE ITEM 52	ND	SCALE	NTS	TITLE		
03.09.13		B	POWER TAKE OFF	ND	CHECKED		G.A		
10.05.01	-	A	NEW DRAWING	CL	DRN		PRODUCT	DRAWING/PART No	
DATE	CRO No	ISS	REVISION RECORD	DR	CHK	CML 10.5.01	ORBIS HANDLE ASSY.	09-1002-0000	A4
									SHEET 1 OF 1 SHEETS

Drawing/Part Number  
09-1127-0000

Issue	Amendments	Sig./Date
A	NEW DRAWING	15.12.10 M.D.C.
B	OPTIONAL POWER TAKE OFF KIT	03.09.13 N.P.D



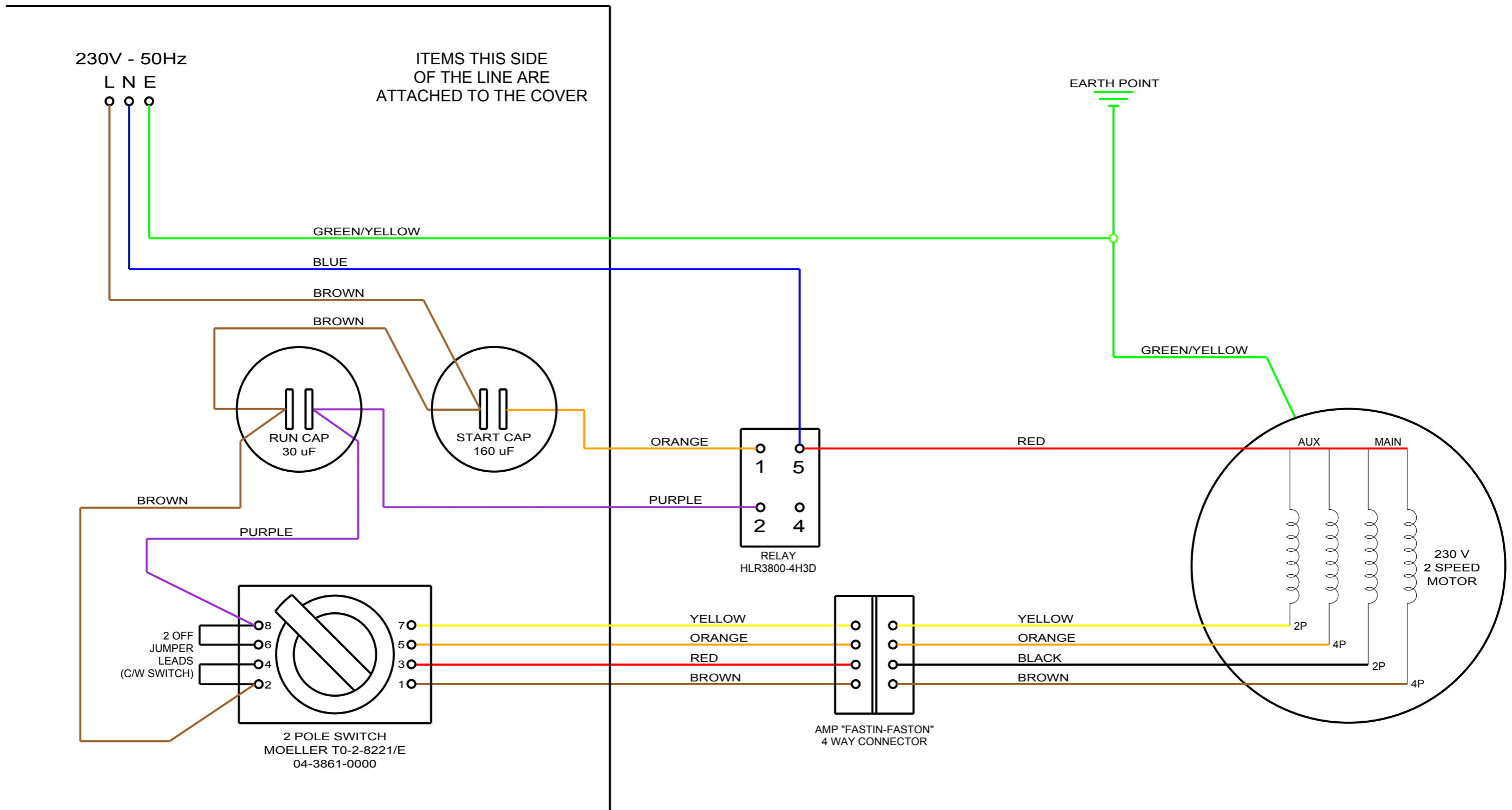
RED  
ON  
MASTER

	<p>3RD ANGLE PROJECTION DIMENSIONS IN MILLIMETRES DO NOT SCALE DRAWING ©COPYRIGHT</p>	Material		General Tolerance		<p style="text-align: center;"><b>TRUVOX™ INTERNATIONAL LIMITED</b></p>	
		Finish		Scale			
		Drawn	M.D.C.	Checked	M.D.C.	Date	15.12.10

PART NO.  
09-1148-0000

©COPYRIGHT DIMENSIONS IN MILLIMETRES DO NOT SCALE DRAWING 3RD ANGLE PROJECTION

A3



1	N/A	NEW DRAWING	NMN	19 OCT 16	
ISSUE	ECN	CHANGES	INT	DATE	

MATERIAL:	GEN TOL X ± 0.5 X.X ± 0.2 X.XX ± 0.1 ANG ± 0.5°
FINISH:	SCALE: X : X DRN CKD NMN

TM <b>TRUVOX INTERNATIONAL LIMITED</b>	
TITLE: ORBIS DUO 230V 50HZ WIRING DIAGRAM (H AND S)	PART NO. 09-1148-0000