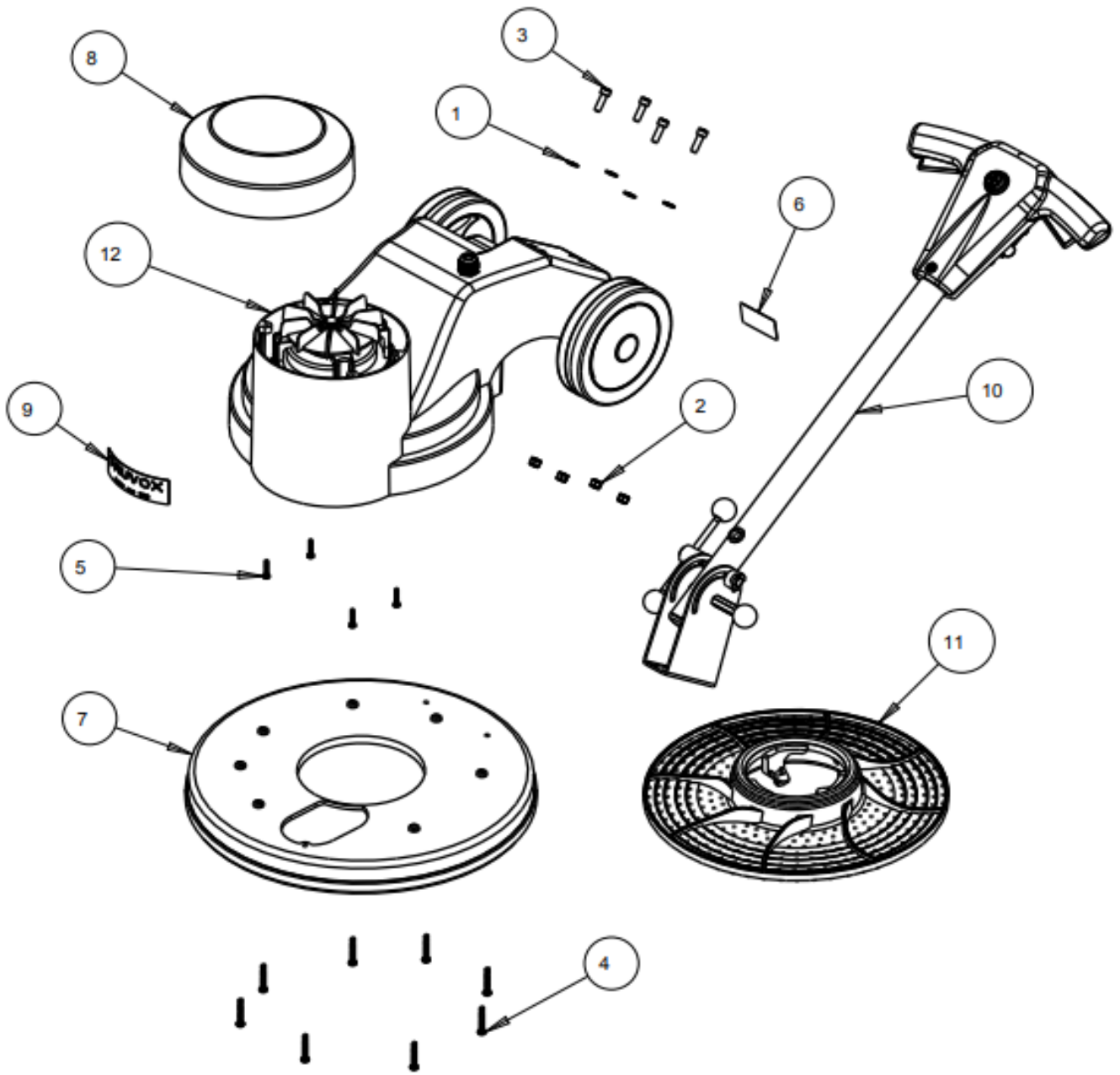


Tacony CFC	ORBIS ECO 200	
Part Number:	OB45200/ECO	
Series:	B (from Serial Number 002136)	
Date:	06-Sep-22	
Reference Drawing Number:	OB45200/ECO	
Reference Drawing Issue:	05-4724-0000,(Base) 05-4711-0000,(Motor plate) 05-4712-0000,(Handle) 09-1146-0000,(Wiring diagram)	
Modified By:	J Clarke	
Service Parts List Issue:	2	ECN #
Description of Change:	update to handle assembly part number	-

Ref. No.	Part No.	Part Description	Qty
1	00-0800-0501	M8 WASHER ZINC PLATED	4
2	00-0800-0721	M8 NYLOC NUT	4
3	00-0825-0091	M8 X 25 CAP HEAD SCREW Z/P	4
4	02-3515-0000	KB60 X 40 SELF TAPPER	8
5	02-3517-0000	KB50 X 25 SELF TAP SCREW	4
6	03-5866-0500	DATA LABEL	1
7	03-6102-0000	ORBIS BRUSH GUARD 17"	1
8	03-8309-0000	ORBIS ECO MOTOR COVER	1
9	03-8401-0000	ORBIS ECO 200 LABEL	1
11	05-4714-0000	ECO LOK DRIVE BOARD - 17"	1
12	05-4724-0000	ORBIS ECO 200 BASE ASSEMBLY	1
10	05-4712-0000	ORBIS ECO HANDLE ASSEMBLY	1



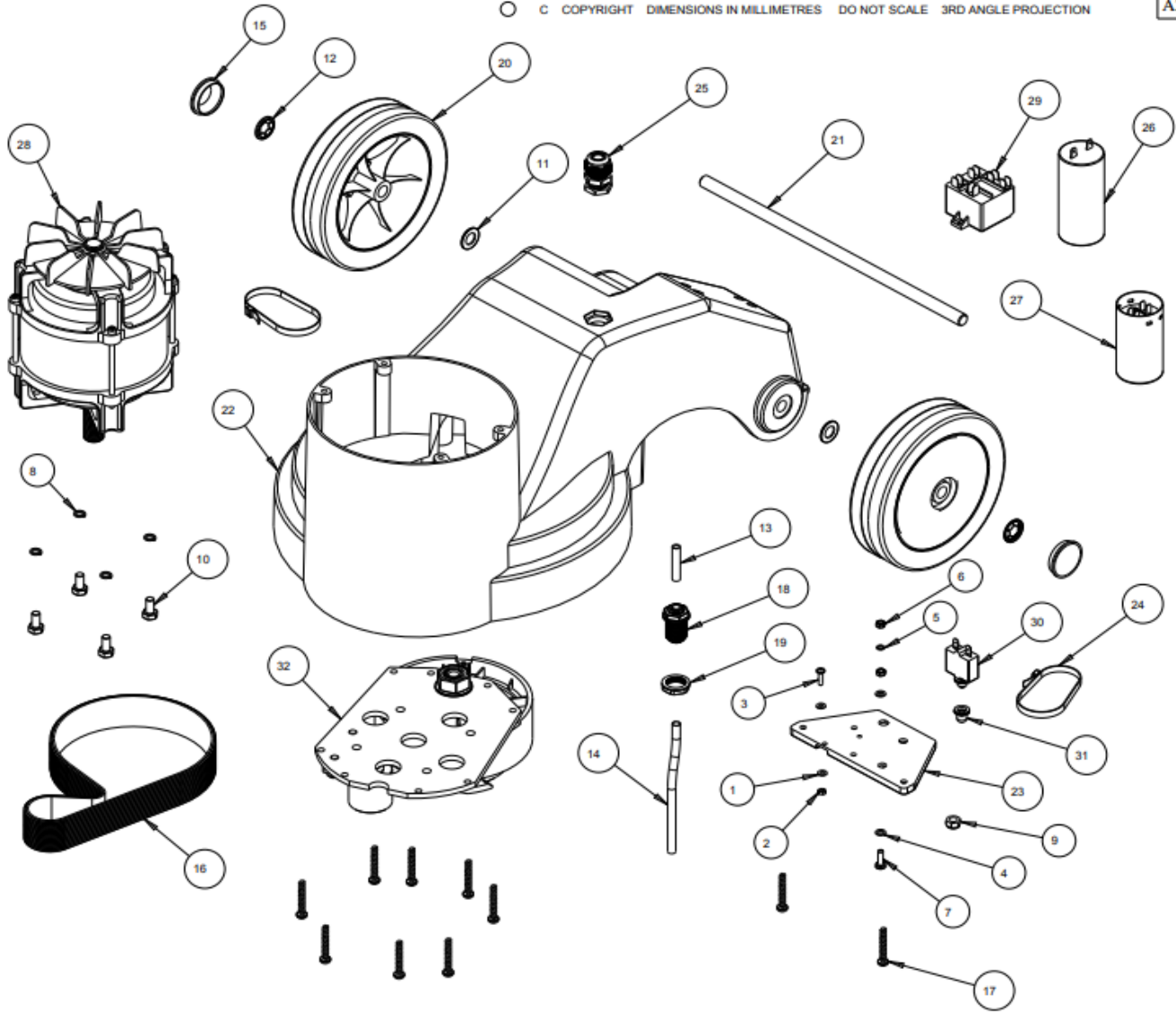
Tacony CFC		ORBIS ECO 200	
Part Number:		OB45200/ECO	
Date:	01-May-20	Sheet no.	
Drawing Number:	OB45200/ECO	1 / 1	
Drawing Issue:	05-4724-0000,(Base) 05-4711-0000,(DESCRIPTION OF CHANGE	ECN #
Modified By:	N DOWSE	-	-

agram)

05-4724-0000,(Base)			
1	00-0400-0501	M4 WASHER FORM A Z/P	2
2	00-0400-0701	M4 FULL NUT Z/P	1
3	00-0416-0011	M4 x 16 POZI PAN HD SCREW Z/P	1
4	00-0500-0501	M5 WASHER FORM A Z/P	2
5	00-0500-0531	M5 EXTERNAL SHAKEPROOF WASHER	1
6	00-0500-0701	M5 FULL NUT Z/P	2
7	00-0516-0011	M5 x 16mm POZI PAN HD SCREW ZP	1
8	00-0800-0511	M8 SINGLE COIL SPRING	4
9	00-0800-0751	M8 1/2 NYLOC NUT Z/P	1
10	00-0816-0111	M8 X 16 HEX SET SCREW Z/P	4
11	00-1200-0503	M12 WASHER FORM B ST/STL	2
12	02-0254-0000	STARLOCK WASHER	2
13	02-0264-0000	8mm TUBE x 40mm	1
14	02-0264-1000	WATER FEED PIPE	1
15	02-3124-0000	WHEEL CENTRE CAP	2
16	02-3499-0000	ORBIS ECO DRIVE BELT	1
17	02-3515-0000	KB60 X 40 SELF TAPPER	10
18	02-3636-0000	BULKHEAD FITTING	1
19	02-3636-0000	BULKHEAD BACKNUT	1
20	02-3649-0000	WHEEL - 175mm	2
21	03-6081-0000	ORBIS AXLE	1
22	03-8308-0000	ORBIS ECO BASE MOULD	1
23	03-8359-0000	CAPACITOR MOUNTING PLATE	1
24	04-0279-0000	CABLE TIE - BLACK LK3X	2
25	04-3212-0000	CABLE GLAND	1
26	04-3501-0500	RUN CAPACITOR 30uF	1
27	04-3231-0000	START CAP 100uF (LEROY TYPE MG)	1
28	04-3969-0000	H&S MOTOR 400	1
29	04-3974-0000	RELAY HLR3800-4H3D	1
30	04-4017-0000	CIRCUIT BREAKER - 8 AMP	1
31	04-4018-0000	CIRCUIT BREAKER COVER	1
32	05-4711-0000	ORBIS ECO MOTOR PLATE ASSEMBLY	1

© COPYRIGHT DIMENSIONS IN MILLIMETRES DO NOT SCALE 3RD ANGLE PROJECTION

A2



Tacony CFC

ORBIS ECO 200

Part Number:

OB45200/ECO

Date: 01-May-20

Sheet no.

Drawing Number: OB45200/ECO

1 / 1

Drawing Issue: 05-4724-0000,(Base) 05-4711-0000,(Mo

DESCRIPTION OF CHANGE

ECN #

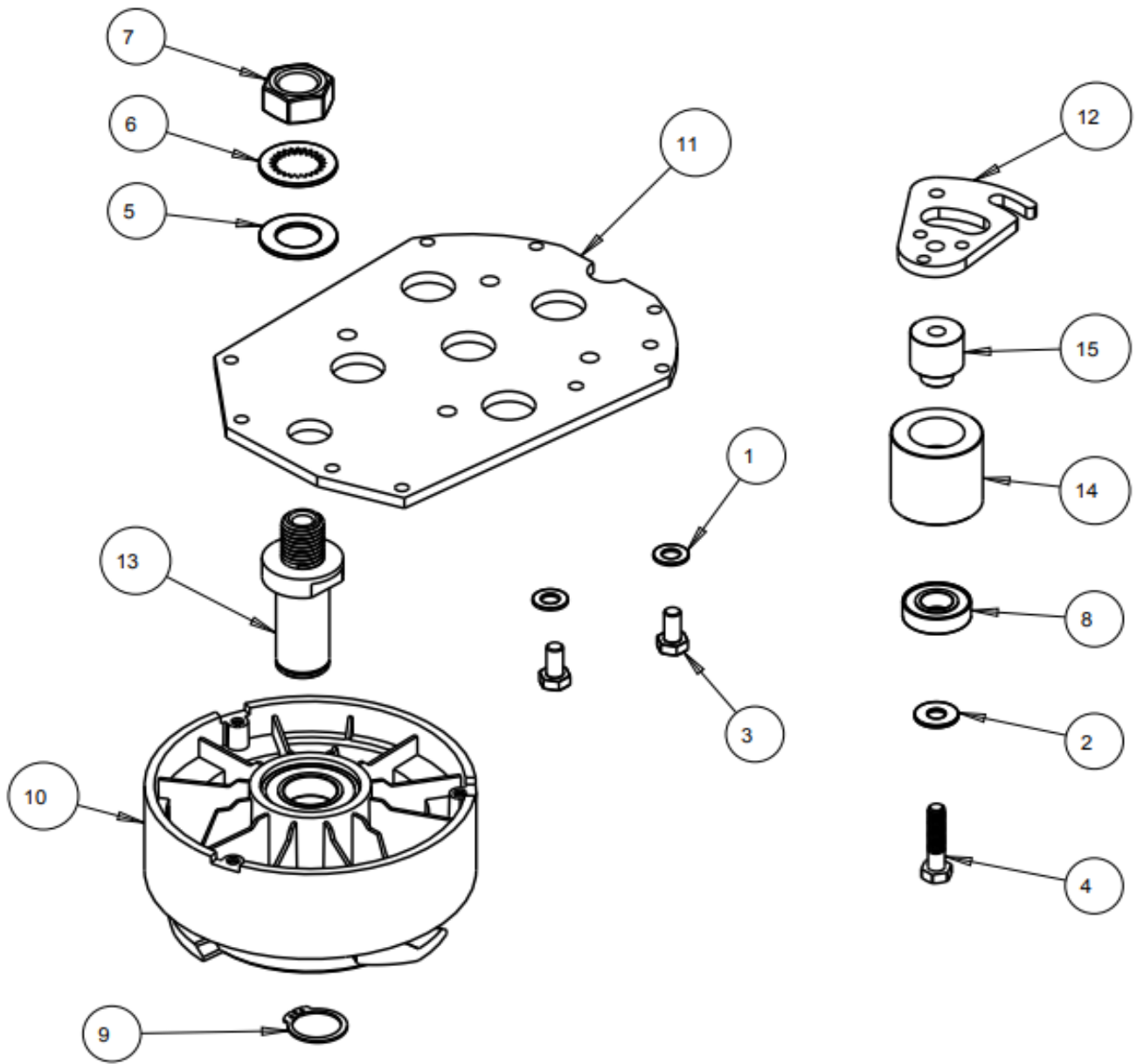
diagram)

Modified By: N DOWSE

-

-

05-4711-0000,(Motor plate)			
1	00-0800-0501	M8 WASHER ZINC PLATED	2
2	00-0800-0551	M8 FORM "C" WASHER	1
3	00-0816-0111	M8 X 16 HEX BOLT HTG 8.8 Z/P	2
4	00-0835-0125	M8 x 35 HEX HEAD BOLT CHEM BLK	1
5	00-2000-0501	M20 PLAIN WASHER FORM B Z/P	1
6	00-2000-0521	M20 INTERNAL SHAKEPROOF WASHER	1
7	00-2000-0701	M20 FULL NUT Z/P	1
8	02-3812-0000	BEARING 6002 2RS	1
9	02-4554-0000	CIRCLIP EXTERNAL 25mm ST/ST	1
10	03-8350-0000	ORBIS PULLEY - 200/400	1
11	03-8354-0000	ORBIS ECO DRIVE PLATE	1
12	03-8355-0000	BELT TENSION CAM	1
13	03-8356-0000	ORBIS ECO SPINDLE	1
14	03-8357-0000	ALUMINIUM IDLER PULLEY	1
15	03-8358-0000	IDLER BEARING SPIGOT	1



Tacony CFC

ORBIS ECO 200

Part Number:

OB45200/ECO

Date: 01-May-20

Sheet no.

Drawing Number: OB45200/ECO

1 / 1

Drawing Issue: 05-4724-0000,(Base) 05-4711-0000,(Moto

DESCRIPTION OF CHANGE

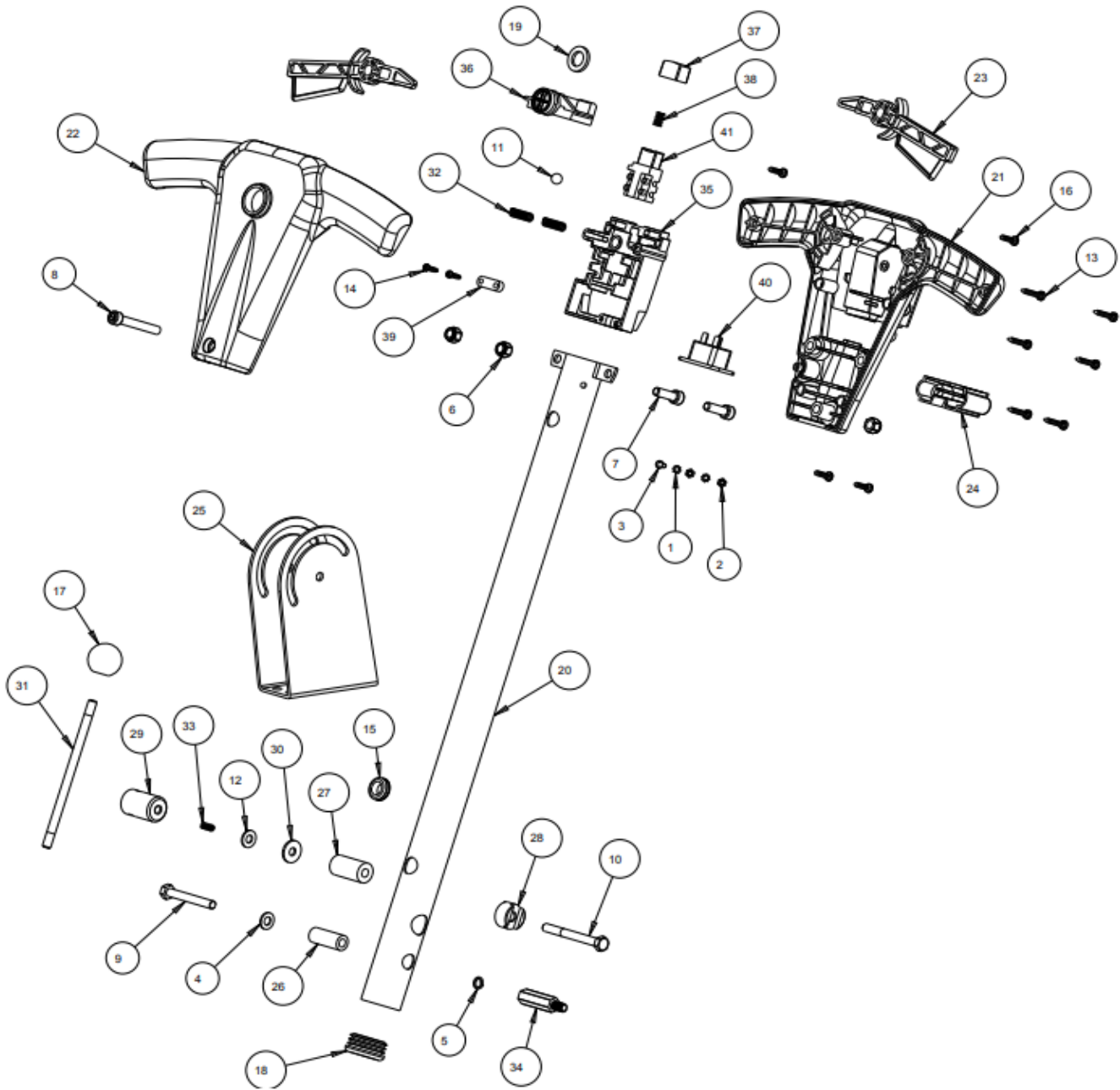
ECN #

Modified By: N DOWSE

-

-

05-4712-0000,(Handle)			
1	00-0400-0531	M4 EXTERNAL SHAKEPROOF WASHER	2
2	00-0400-0701	M4 FULL NUT Z/P	2
3	00-0416-0031	SCREW M4 X 16 CSK POZI HD BZP	1
4	00-0800-0501	M8 WASHER ZINC PLATED	1
5	00-0800-0511	M8 SINGLE COIL SPRING	1
6	00-0800-0721	M8 NYLOC NUT	3
7	00-0825-0091	M8 X 25 CAP HEAD SCREW Z/P	2
8	00-0855-0091	M8 x 55 SOCKET HEAD SCREW Z/P	1
9	00-0860-0121	M8 X 60 HEX HEAD BOLT Z/P	1
10	00-0875-0121	M8 X 75 HEX HEAD BOLT Z/P	1
11	02-3186-0000	10 mm BALL BEARING	1
12	02-3329-0000	FIBRE WASHER	1
13	02-3517-0000	KB50 X 25 SELF TAP SCREW	6
14	02-3518-0000	KB40 X 14 SELF TAP SCREW	2
15	02-3520-0000	DIAPHRAGM GROMMET	1
16	02-3836-0000	KB50 X 18 SELF TAP SCREW	4
17	02-4628-0000	M8 KNOB 32mm DIA	3
18	02-4629-0000	38mm TUBE END CAP	1
19	03-6182-0000	RUBBER WASHER	1
20	03-8360-0000	ORBIS ROUND HANDLE TUBE	1
21	03-8361-0000	ORBIS ECO HANDLE BACK	1
22	03-8362-0000	ORBIS ECO HANDLE FRONT	1
23	03-8363-0000	ORBIS ECO TRIGGER	2
24	03-8366-0000	ORBIS ECO CABLE COVER	1
25	03-8367-0000	HANDLE UPSTAND	1
26	03-8368-0000	ORBIS ECO HANDLE PIVOT	1
27	03-8369-0000	ORBIS ECO LOCKING SPACER	1
28	03-8370-0000	ORBIS ECO LUGGED CLAMP	1
29	03-8371-0000	ORBIS ECO HANDLE LOCK	1
30	03-8372-0000	ORBIS ECO FRICTION WASHER	1
31	03-8373-0000	ORBIS ECO LOCKING BAR	1
32	03-8374-0000	ORBIS ECO HANDLE SPRING	2
33	03-8377-0000	ORBIS ECO LOCK SPRING	1
34	03-8395-0000	ORBIS ECO CABLE WRAP	1
35	03-8501-0000	ORBIS ECO SWITCH HOUSING	1
36	03-8502-0000	ORBIS ECO INTERLOCK	1
37	03-8503-0000	ORBIS ECO SWITCH CAP	1
38	03-8504-0000	ORBIS ECO SWITCH CAP SPRING	1
39	04-0237-0000	CABLE CLAMP	1
40	04-3242-0000	INLET SOCKET IEC 16AMP	1
41	04-4016-0000	ECO SWITCH - JIABEN	1
Assessories			
Not shown	04-3055-0053	15M CORDSET UK PLUG 16A - ORANGE	1
Not shown	04-3055-0153	15M CORDSET EURO PLUG 16A - ORANGE	1
Not shown	03-8392-0000	ORBIS ECO INSTRUCTION MANUAL	1
Not shown	04-3055-0353	15M CORDSET ORANGE AUSTRALIAN	1



Tacony CFC

ORBIS ECO 200

Part Number:

OB45200/ECO

Date: 01-May-20

Sheet no.

Drawing Number: OB45200/ECO

1 / 1

Drawing Issue: 05-4724-0000,(Base) 05-4711-0000,(

DESCRIPTION OF CHANGE

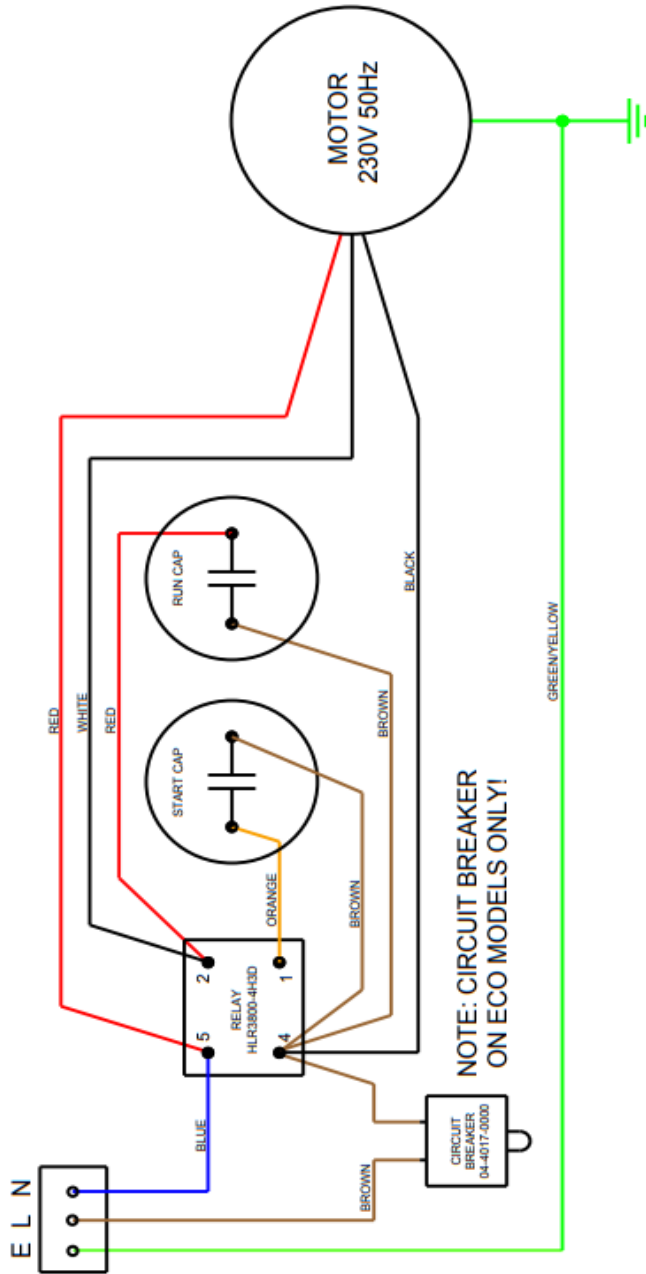
ECN #

agram)

Modified By: N DOWSE

-

-



NOTE: CIRCUIT BREAKER ON ECO MODELS ONLY!

	ORBIS ECO MOTOR STD	ORBIS MOTOR	START CAP	RUN CAP	RELAY
200 SPEED	04-3968-0000	04-3223-0500	04-3956-0000 (150uF)	04-3501-0500 (30uF)	04-3974-0000
400 SPEED	04-3969-0000	04-3224-0500	04-3231-0000 (100uF)	04-3501-0500 (30uF)	04-3974-0000

Tacony CFC		ORBIS ECO 200	
Part Number:		OB45200/ECO	
Date:	01-May-20	Sheet no.	
Drawing Number:	OB45200/ECO	1 / 1	
Drawing Issue:	05-4724-0000,(Base) 05-4711-0000,(Mo	DESCRIPTION OF CHANGE	ECN #
Modified By:	N DOWSE	-	-

(diagram)