

Tacony CFC		ORBIS MOTORSCRUBBER 20	
Part Reference: ORBIS MOTORSCRUBBER 20 MACHINE ASSEMBLY			
Date:	08/07/2016		
Machine:	OMS20320		
Serial No.:	From 1115A01453		
Reference Drawing Number:	09-1140-0000 & 09-01141-0000		
Modified By:	N DOWSE	DESCRIPTION OF CHANGE	ECN #
Revision:	4	COMPONENTS CHANGE	N/A

Ref. No.	Part No.	Part Description	Qty
1	98-0115-0000	ON / OFF SWITCH WIRING LOOM FOR 75CM HANDLE	1
1a	98-0116-0000	ON / OFF SWITCH WIRING LOOM FOR 125CM HANDLE	1
2	98-0105-0000	D SHAPED HANDLE	1
3	90-0157-0000	HANDLE 125CM TELESCOPIC	1
3a	98-0158-0000	HANDLE 75CM TELESCOPIC	1
3b	98-0159-0000	HANDLE 38CM HAND HELD SOLID	1
4	98-0107-0000	HARDWARE PACKET CONTAINS ALL SCREWS	1
5	98-0103-0000	MOTOR HOUSING WITH Y SHAPED CONNECTION	1
6	98-0106-0000	Y SHAPED BLACK CONNECTION FITS MOTOR HOUSING	1
7	98-0104-0000	HUB - ROTATING DISC	1
8	98-0120-0000	ACORN NUT	1
9	98-0119-0000	LOCKING KNOBS - TIGHTENS ANGLE OF MOTOR HOUSING	1
10	98-0146-0000	BOLT - SHOULDER YOKE LOCK	1
11	98-0182-0000	PLAIN WASHER	1
12	98-0183-0000	WAVY WASHER	1
13	98-0184-0000	NEOPRENE WASHER	1
14	98-0117-0000	CIRCUIT BREAKER	1
15	98-0122-0000	ON / OFF SWITCH BLACK BUTTON COVER	1
16	98-0121-0000	BLACK HANDLE GRIP	1
17	98-0102-0000	12 VOLT BATTERY ONLY	1
18	98-0192-0000	BATTERY HARNESS ONLY NO COMPONENTS	1
19	98-0118-0000	30 AMP GLASS FUSE	1
20	98-0108-0000	BATTERY COILED CABLE 110CM	1
21	98-0186-0000	EUROPEAN CHARGER	1
21A	98-0187-0000	UK CHARGER	1
25	98-0191-0000	BATTERY AND HARNESS COMPLETE WITH COILED CABLE	1
ITEMS NOT SHOWN ON DRAWING			
22	98-0188-0000	UK ADAPTOR	1
23	98-0189-0000	EURO ADAPTOR	1
24	98-0190-0000	AUSTRALIAN ADAPTOR	1

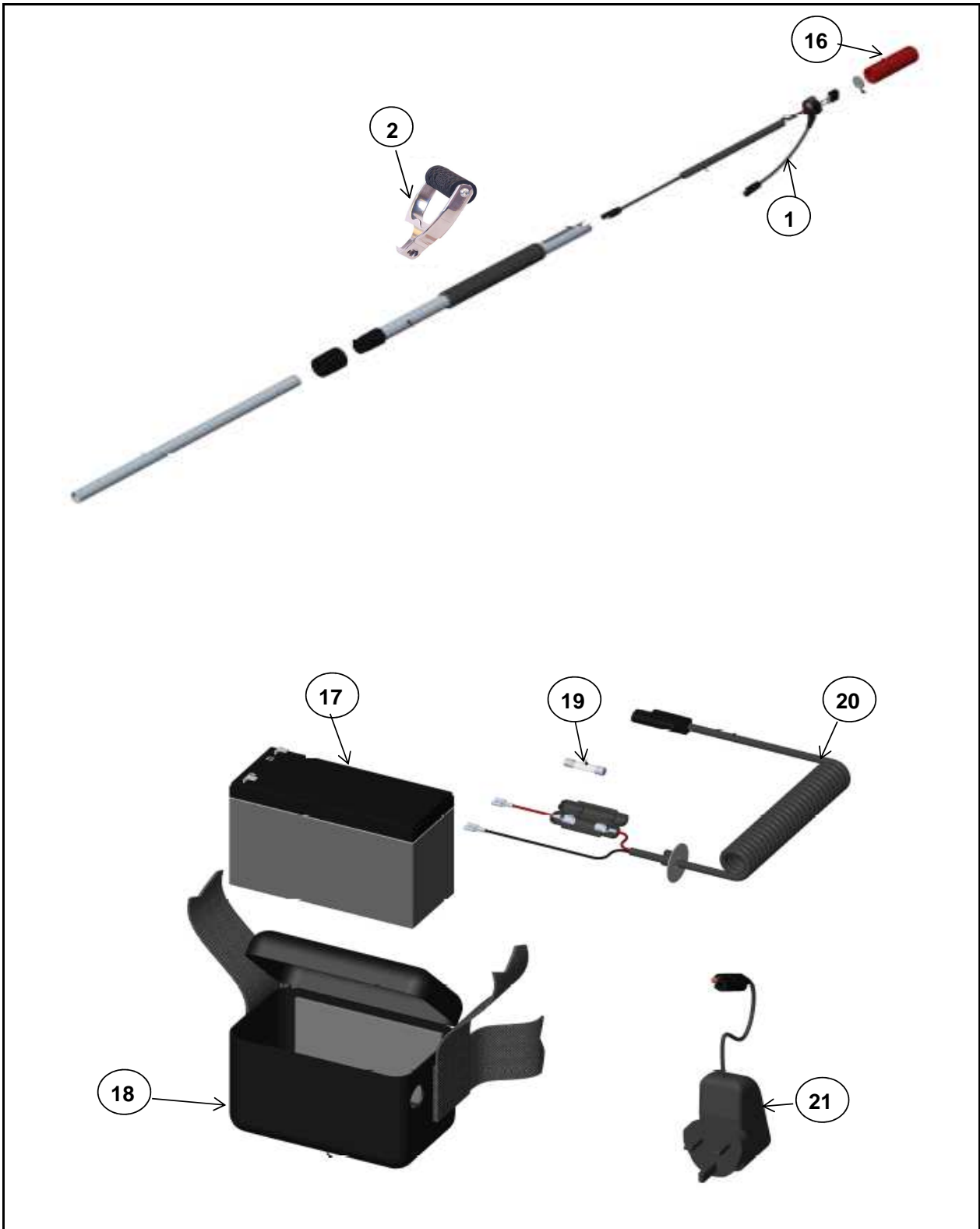


Tacony CFC

ORBIS MOTORSCRUBBER 20

Drawing Number: 09-1140-0000

Date:	10/08/2016		
Machine:	ORBIS MOTORSCRUBBER 20		
Reference Parts List:	MS20320		
Modified By:	N DOWSE	DESCRIPTION OF CHANGE	ECN #
Revision:	C	COMPONENTS CHANGE	1152



Tacony CFC

ORBIS MOTORSCRUBBER 20

Drawing Number: 09-1141-0000

Date:	11/08/2016		
Machine:	ORBIS MOTORSCRUBBER 20		
Reference Parts List:	OMS20320		
Modified By:	N DOWSE	DESCRIPTION OF CHANGE	ECN #
Revision:	B	COMPONENTS CHANGE	N/A