

# Service Parts List (Kits)

Model Ref.:- VA75IND

SERIES A

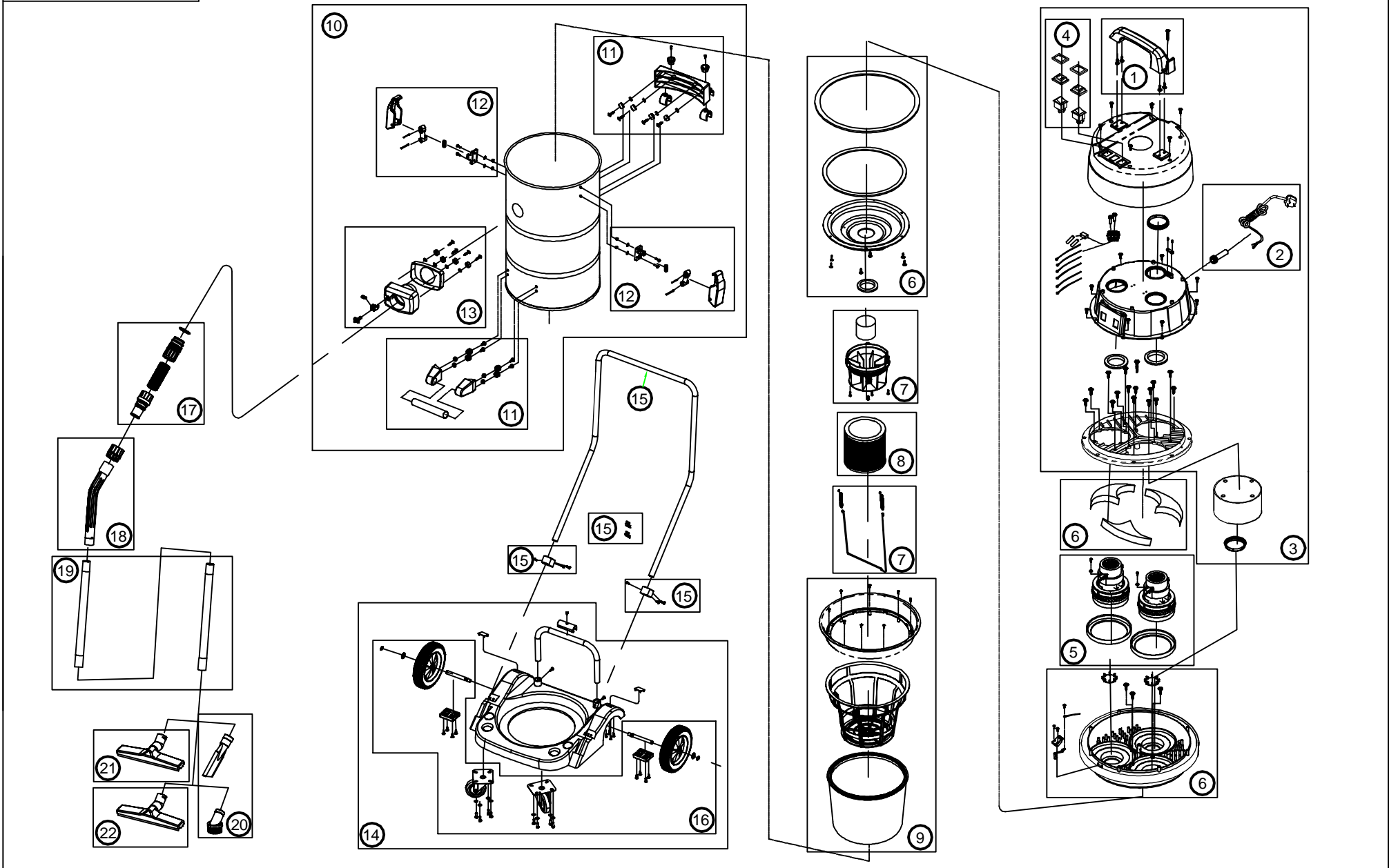
Service Parts List (Kits) Issue 2 Dated 29-June-2007

Ref. Drawing 09-1082-0000 Issue A Dated 23-February-2007

Drawing Ref.	Part Number	DESCRIPTION	Qty Per Kit
1	20-0075-0000	TOP COVER HANDLE ASSY	1
2a	20-0076-0000	POWER CORD ASSY	1
2b	20-0121-0000	AUSTRALIAN POWER CORD ASSY	1
2c	20-0126-0000	EURO POWER CORD ASSY	1
3	20-0077-0000	TOP HEAD ASSY	1
4	20-0078-0000	POWER SWITCH ASSY	1
5	20-0044-0000	VAC MOTOR ASSY	1
6	20-0079-0000	MOTOR HOUSING ASSY	1
7	20-0046-0000	FLOAT AND FRAME ASSY	1
8	LQ-A150180W1	WASHABLE FILTER	1
9	20-0080-0000	FILTER ASSY	1
10	20-0081-0000	TANK ASSY	1
11	20-0067-0000	FIXED PLATE AND FRONT HANDLE ASSY	1
12	20-0082-0000	CLIP ASSY	2
13	20-0083-0000	SUCTION COUPLER ASSY	1
14	20-0084-0000	TROLLEY ASSY	1
15	20-0085-0000	TROLLEY HANDLE ASSY	1
16	20-0086-0000	WHEEL AND CASTOR ASSY	1
17	20-0054-0000	HOSE ASSY	1
18	20-0055-0000	CONNECTOR ASSY	1
19	20-0056-0000	EXTENSION WAND ASSY	1
20	20-0057-0000	NOZZLE SET	1
21	20-0038-0000	SQUEEGEE NOZZLE ASSY	1
22	20-0059-0000	BRUSH NOZZLE ASSY	1

Drawing/Part Number  
09-1082-0000

Issue	Amendments	Sig./Date
A	NEW DRAWING	23.02.07 M.C.



	<p>3RD ANGLE PROJECTION DIMENSIONS IN MILLIMETRES DO NOT SCALE DRAWING © COPYRIGHT</p>	Material -----	General Tolerance ±0.25	<b>TRUVOX™ INTERNATIONAL LIMITED</b> Title VALLET AQUA 75 INDUSTRIAL GENERIC ASSEMBLY		Drawing/Part Number 09-1082-0000
		Finish -----	Scale N.T.S.			

RED  
ON  
MASTER

PART NO.  
09-1135-0000

© COPYRIGHT

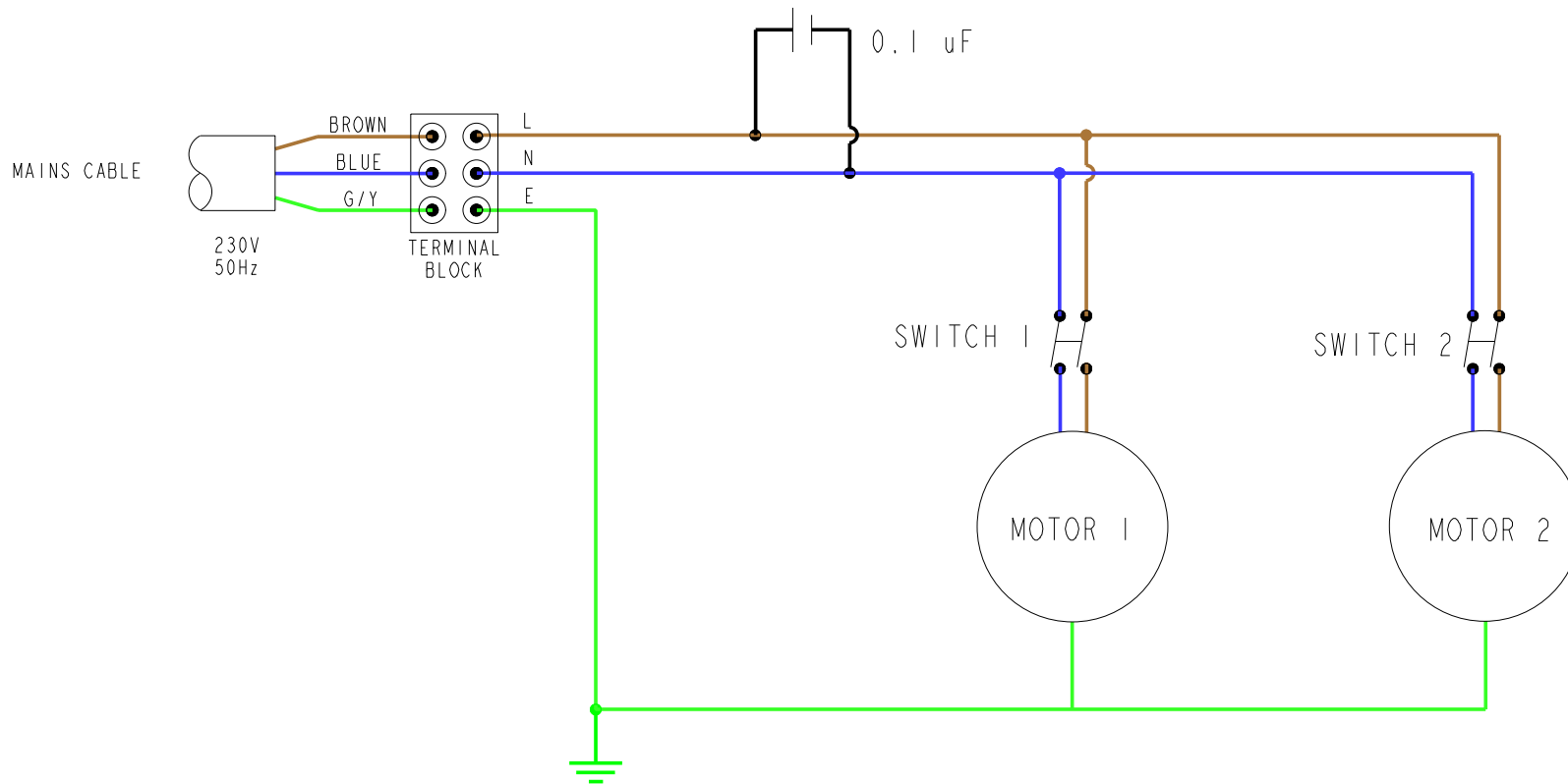
DIMENSIONS IN MILLIMETRES

DO NOT SCALE DRAWING

3RD ANGLE PROJECTION

A4

# VA75IND WIRING DIAGRAM



1	N/A	NEW DRAWING	NMN	08 JUL 13
ISSUE	ECN	CHANGES	INT	DATE

MATERIAL :	GEN TOL
	X ±0.5
	X.X ±0.2
	X.XX ±0.1
	ANG ±0.5°
FINISH :	SCALE: X : X
	DRN CKD
	NMN

<b>TRUVOX™ INTERNATIONAL LIMITED</b>	
TITLE:	PART NO.
VA75IND WIRING DIAGRAM	09-1135-0000