

Spare Parts List

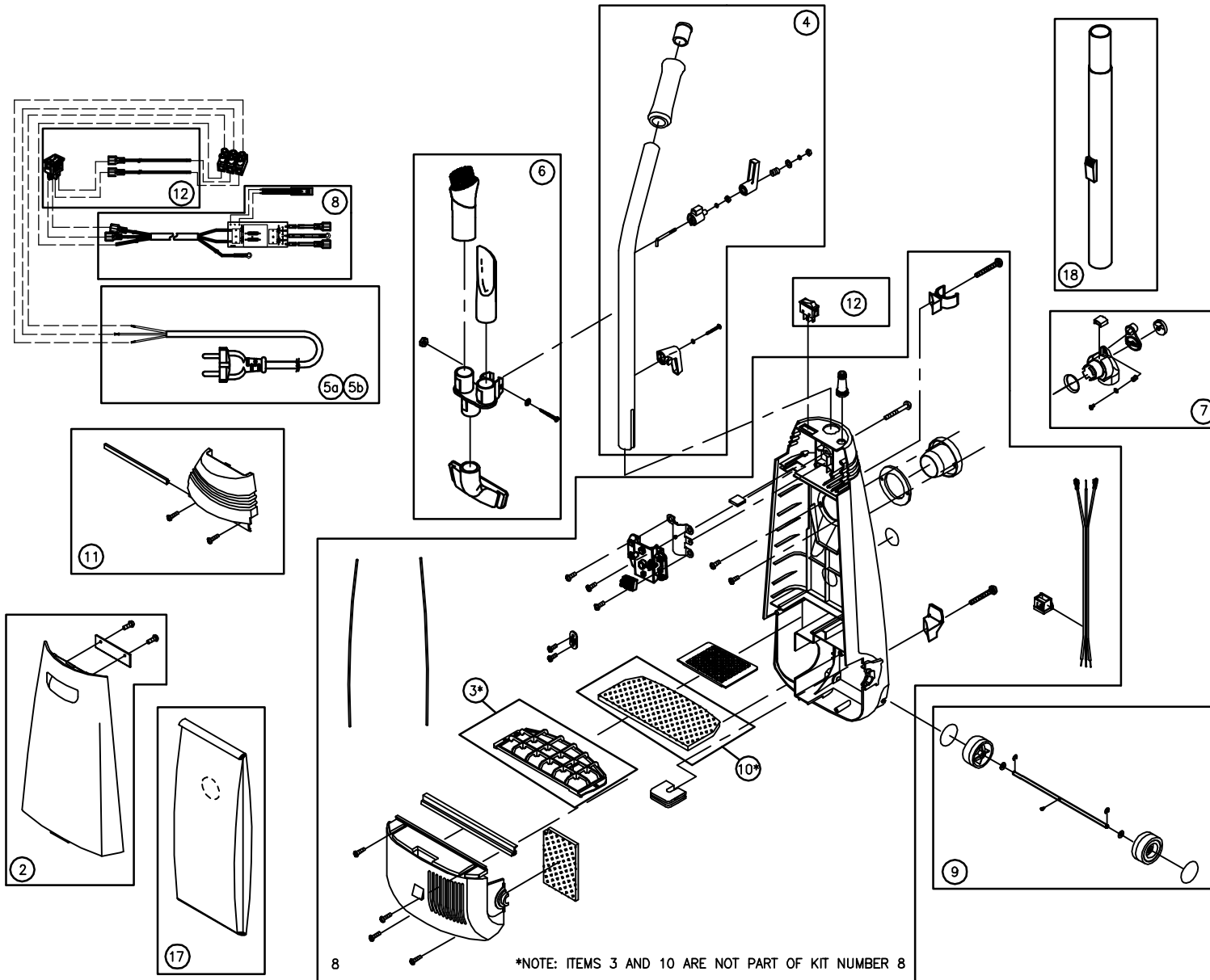
Model Ref.:- VCU

SERIES B

Spare Parts List Issue 5 Dated 28-June-2016

Ref. Drawing 09-1086-0000 Issue A Dated 02-May-2007

Drawing Ref.	Part Number	DESCRIPTION	Qty Per
1	AA0274582	BRUSH ROOL ASSY	1
2	AE0064688	FRONT COVER ASSY	1
3	AE0183000	FILTER HOLDER	1
4	AE1095582	HANDLE ADDY	1
5a	AE2213173	UK LEAD ASSY	1
5b	AE2263173	EURO LEAD ASSY	1
6	TU1AU00001	TOOL KIT & BRACKET ASSY	1
7	TU1AU00002	HOSE ASSY	1
8	TU1AU00003	REAR CASE ASSY	1
9	TU1AU00004	REAR AXLE ASSY	1
10	TU1AU00005	FILTER (PACK OF 5)	1
11	TU1AU00006	SWITCH HOUSING COVER ASSY	1
12	TU1AU00007	SWITCH AND FUSE LINK ASSY	1
13	U2-U11-296	MOTOR AND MOUNTING ASSY	1
14	TU1AU00009	FRONT BRUSH HOUSING ASSY	1
15	09.104	BELT	1
15a	U2-U11-089	BELT PACK OF 10	1
16	TU1AU00011	BRUSH COVER ASSY	1
17	U2-U11-077	PAPER BAGS (PACK OF 10)	1
18	CA10853582	CENTRE WAND	1



3RD ANGLE PROJECTION
DIMENSIONS IN MILLIMETRES
DO NOT SCALE DRAWING
©COPYRIGHT

Material	-----
Finish	-----
Drawn	M.D.C.
Checked	M.D.C.

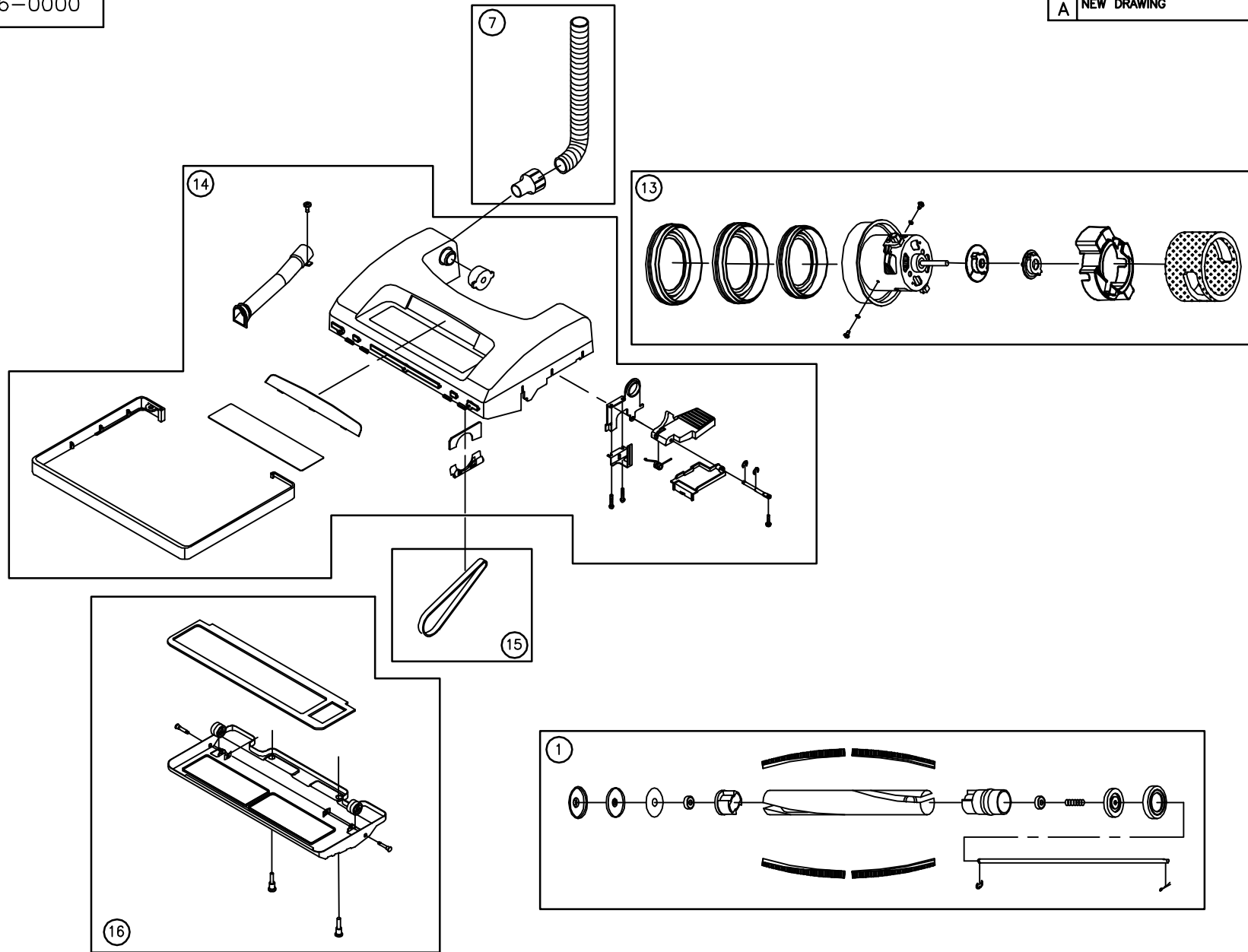
General Tolerance	N/A
Scale	N.T.S.
Date	02.05.07

TRUVOX™ INTERNATIONAL LIMITED	
Title	VALET COMMERCIAL UPRIGHT GENERIC ASSEMBLY DRAWING
Drawing/Part Number	09-1086-0000 SHEET 1

RED
ON
MASTER

Drawing/Part Number
09-1086-0000

Issue	Amendments	Sig./Date
A	NEW DRAWING	02.05.07 M.D.C.



3RD ANGLE PROJECTION
DIMENSIONS IN
MILLIMETRES
DO NOT SCALE DRAWING
©COPYRIGHT

Material -----
Finish -----
Drawn M.D.C. Checked M.D.C.

General Tolerance N/A
Scale N.T.S.
Date 02.05.07

TRUVOX™ INTERNATIONAL LIMITED

Title
VALET COMMERCIAL UPRIGHT
GENERIC ASSEMBLY DRAWING

Drawing/Part Number
09-1086-0000
SHEET 2

RED
ON
MASTER