

Spare Parts List

Model Ref.:- VT12

SERIES B (Serial Numbers 01000 Onwards)

Spare Parts List Issue 2 Dated 22 October 2013

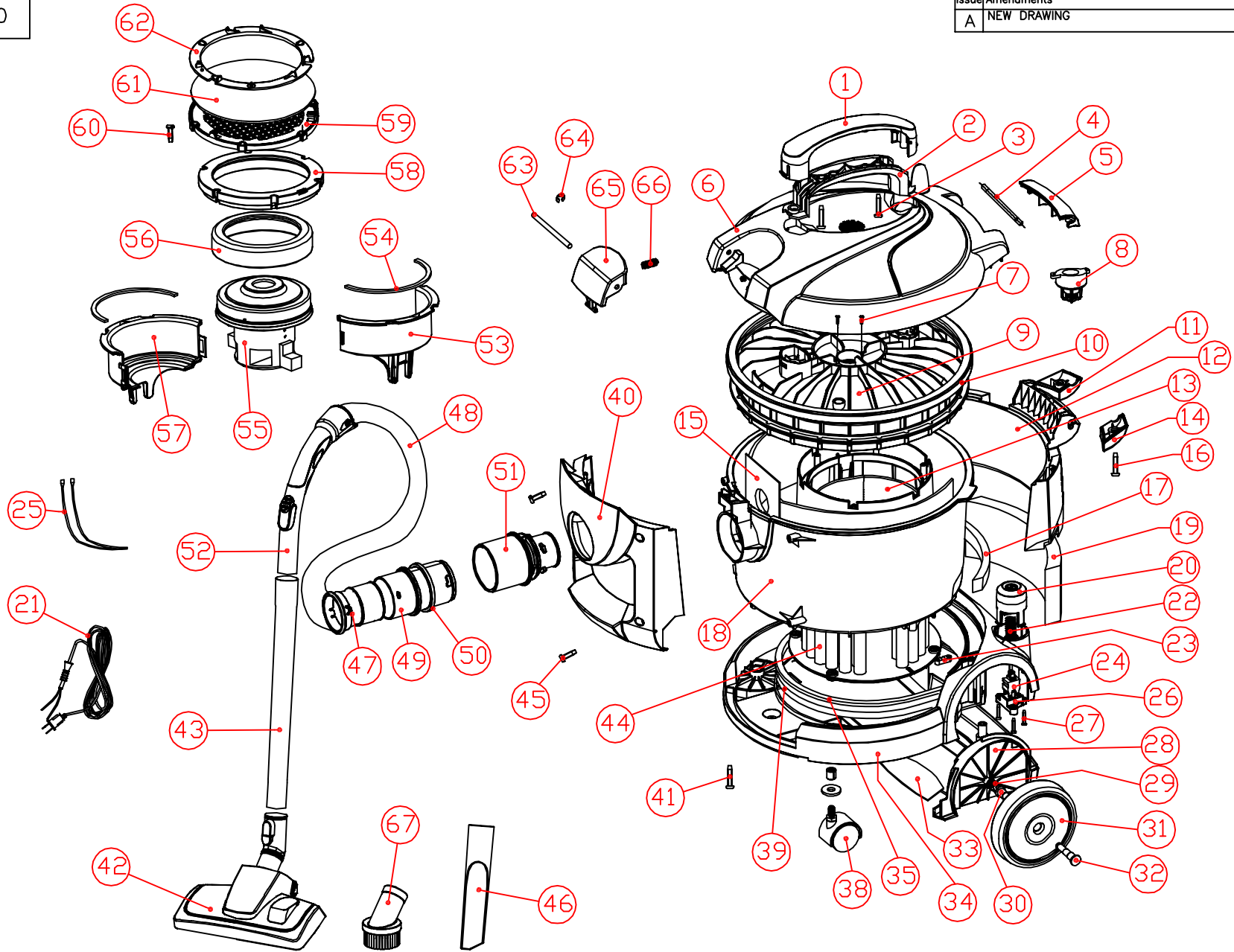
Ref. Drawing 09-1117-0000 Dated 18th November 2009

Drawing Ref.	Part Number	DESCRIPTION	Qty Per
1	Q299654AH01	Handle	1
2	Q299647AH01	Handle Cover	1
3		Screw M4*16	2
4	B299081R001R	Lid Cover Assembly	1
5			
6			
7		Screw M3*6	2
8	B299126R002R	Lid Frame and Safety Valve Assembly	1
9			
10			
11	B299237R001R	Lid Hinge Cover Assembly	1
14			
12	Q299130PH02	Air Outlet Cover	1
13	G2990330001	Motor Noise Muffler	1
15	G2990100003	Re-usable Dust Bag	1
15	B299003R001R	Dust Bag (Pack of 10)	1
16		Screw M4*25	2
17	G2990020001	Body Noise Muffler	1
18	Q2996851H94R	Tank Body	1
19	G2990190002	Air Outlet Filter	1
20	B299083R001R	Switch Button Including Spring	1
22			
21	D1A75839002R	Power Cord UK Plug	1
21a	04-3953-0000	Power Cord EURO Plug	1
23	B299084R002R	Base Cover Assembly	1
28			
33			
34			
35			
39			
24	D3024000005R	On/Off Switch	1
25	A2990990006R	Internal Wires	1
26	Q2995240B55R	Switch Plate	1
27		Screw M4*10	3
29	B299009R002R	Large Wheel Assembly	1
30			
31			
32			
38	A2990950005R	Castor	2
40	Q299715PH02	Suction Plate	1
41		Screw M5*37	5
42	F111B900003R	Floor Tool	1

Drawing Ref.	Part Number	DESCRIPTION	Qty Per
43	F0444100101R	Telescopic Tube	1
44	Q299F09PH02	Muffler	1
45		Screw M5*15	9
46	S8910250H02	Crevice Tool	1
47	A0002020980R	Hose Assembly	1
48			
49			
50			
52			
51	Q299730AH01	Suction Body	1
53	Q299A040H67R	Left Motor Housing	1
54	X2990290001R	Motor Pad	2
55	2A130231R	Motor	1
56	X2990340004R	Motor Sealing	1
57	Q299A041H67R	Right Motor Housing	1
58	Q299L530H16R	Motor House Seal	1
59	Q2994861H33R	Air Inlet Grill	1
60		Screw M4*15 Black	6
61	B299008R001R	Air Inlet Filter (Pack of 5)	1
62	Q2995110H33R	Grill Clip	1
65	B299125R002R	Lid Latch Assembly	1
66			
63			
64			
67	F0871300001	Dusting Brush	1

Drawing/Part Number
09-1117-0000

Issue	Amendments	Sig./Date
A	NEW DRAWING	18.11.09 M.C.



3RD ANGLE PROJECTION
DIMENSIONS IN MILLIMETRES
DO NOT SCALE DRAWING
© COPYRIGHT

Material -----
Finish -----
Drawn M.D.C. Checked M.D.C.

General Tolerance N/A
Scale N.T.S.
Date 18.11.09

TRUVOX™ INTERNATIONAL LIMITED
Title VT12 EXPLODED PARTS DRAWING
Drawing/Part Number 09-1117-0000

RED ON MASTER