

# Spare Parts List

Model Ref.:- VUV-QD

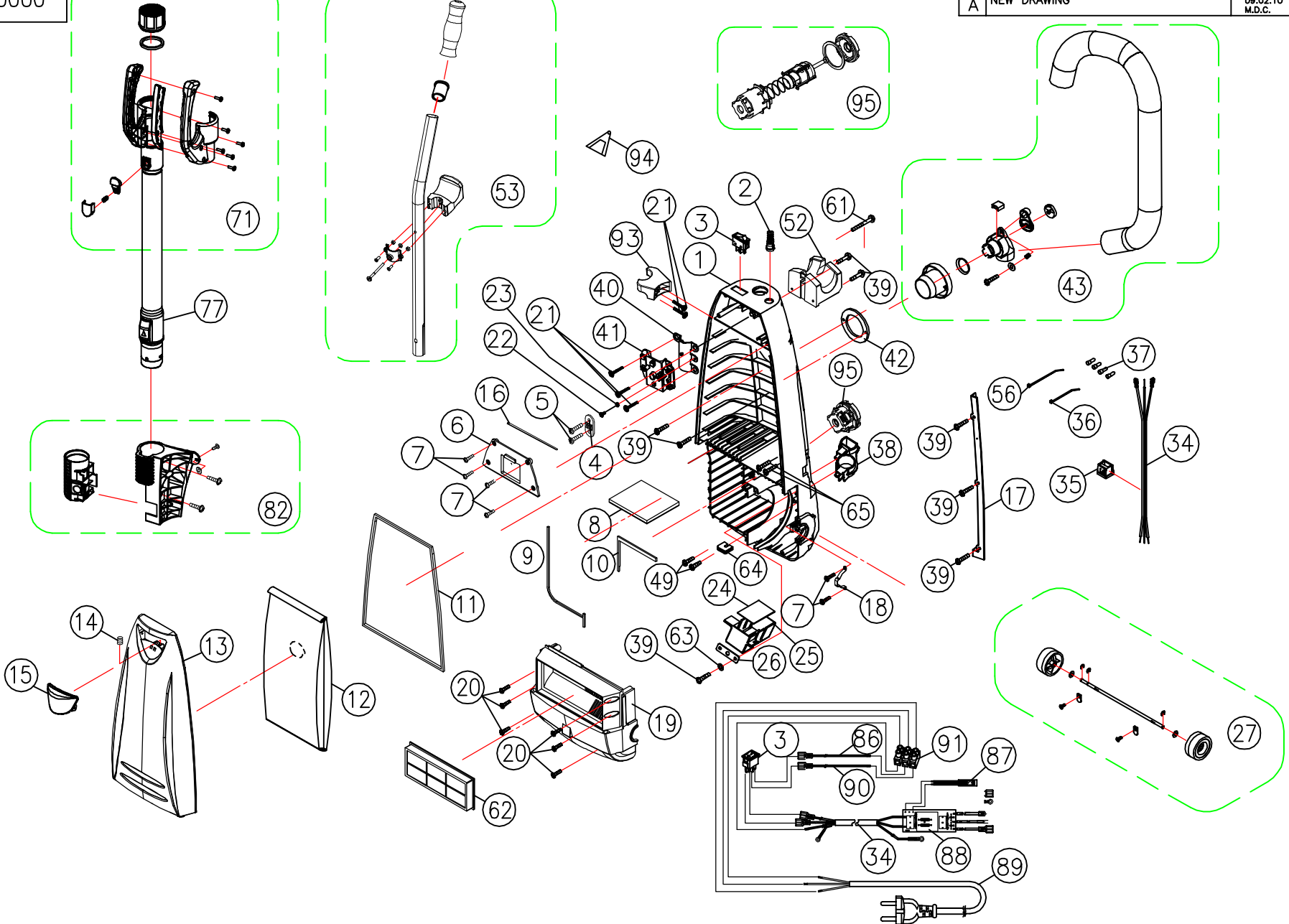
SERIES A

Spare Parts List Issue 7 Dated 06-MAY-2016

Ref. Drawing 09-1120-0000 Dated 09th February 2010

Drawing Ref.	Part Number	DESCRIPTION	Qty Per
<b>Refer to Drawing 09-1120-0000 Sheet 1</b>			
1	AEA0283582	Dust Compartment	1
2	AEA1403582	Boot Strain Relief	1
3	AE2363000	On/Off Switch	1
4	AK0073582	Cord Holder	1
5		Set Screw M4*15	2
6	AEA0053582	Inner Switch Cover	1
7		Set Screw M4*15	6
8	U2-U11-088	Secondary Filter (Pack Of 5)	1
9	AEA0123582	Motor Cover Seal 1	1
10	AEA0133582	Motor Cover Seal 2	1
11	AEA0113582	Dust Compartment Seal	1
12	U2-U11-077	Paper Bag Set (Pack of 10)	1
13	AEA0023688	Dust Cover	1
14	AEA0333006	Latch Spring	1
15	AEA0043582	Dust Cover Release Handle	1
16	AEA0533582	Seal For Inner Switch Cover	1
17	AEA0233582	Motor Cover Holder Plate	1
18	AEA0223006	Support Strap	1
19	AEA0033582	Motor Cover	1
20		Set Screw (M4*18.5)	6
21		Set Screw (M4*16)	7
22		Set Screw (M4*6)	1
23		Washer	1
24	AE1903000	Board Cover	1
25	AE1893582	Board	1
26	E1A2623003	Arm Shaft Bushing Holder Plate	1
27	AEA0644000	Rear Wheel Assembly	1
34	AE2224000	Motor Cord	1
35	AE1783582	Wire Bushing	1
36	002027129	Zip Tie	1
37	AA0453000	Wire Connector (HW-C5)	1
38	AEA0953000	On-Board Tool Holder	1
39		Screw M4*12	8
40	AE0163008	Handle Fitting	1
41	AG0853000	Wiring Hammer	1
42	AC1383582	Swivel Inlet Gasket	1
43 & 71	U2-U11-090	Nozzle Hose and Handle Grip Assembly	1
U2-U11-090 Also includes assembly 71			
49		Set Screw M5*12	2
52	AEA0103582	Hose Hanger	1
53	AEA0414582	Handle Assembly Complete	1

Drawing Ref.	Part Number	DESCRIPTION	Qty Per
56	002AE00001	Zip Tie	1
61		Handle Screw M5*45	1
62	AEA1374582	HEPA 10 filter	1
63		Washer 4.2*14*1	1
64	AEA1563582	Cord Holder	1
65		Set Screw M4*21	2
77	AEAA073858	Quick Draw Wand Assembly	1
82	U2-U11-091	Quick Draw Attachment Holder	1
86	AE2403000	Wire Harness	1
87	AE2133000	Thermal Switch	1
88	AE2163000	EMI PC Board	1
89	AE2213582	Power Cord UK	1
89a	04-3951-0000	Power Cord EURO	1
90	AG1875000	Thermal Fuse	1
91	AE2373000	Terminal Block	1
93	AEA1363000	Quick Draw Wand Holder	1
94	BA00163582	Cord Retainer Hook Black	1
95	AEA1435000	Relief Valve Base Assembly	1
<b>Refer to Drawing 09-1120-0000 Sheet 2</b>			
1	AEA0873000	Nozzle Hose	1
2	AEA1353006	Suction Fitting Collar	1
3	U2-U11-092	Nozzle Housing	1
4	U2-U11-093	Vac Motor Assembly	1
14	AEA1013582	Crevice Tool	1
15	AEA01933582	Round Brush	1
16	U2-U11-244	Bottom Plate Assembly	1
23	AA0113000	Felt Packing	1
24	AK0883006	Vented Support Fitting	1
25	09.104	Belt (Single)	1
	U2-U11-089	Belt (Pack of 10)	1
28	AA0514714	Pinned Brush Roll Assembly	1
46	U2-U11-094	Foot Pedal Assembly	1



3RD ANGLE PROJECTION  
DIMENSIONS IN MILLIMETRES  
DO NOT SCALE DRAWING  
© COPYRIGHT

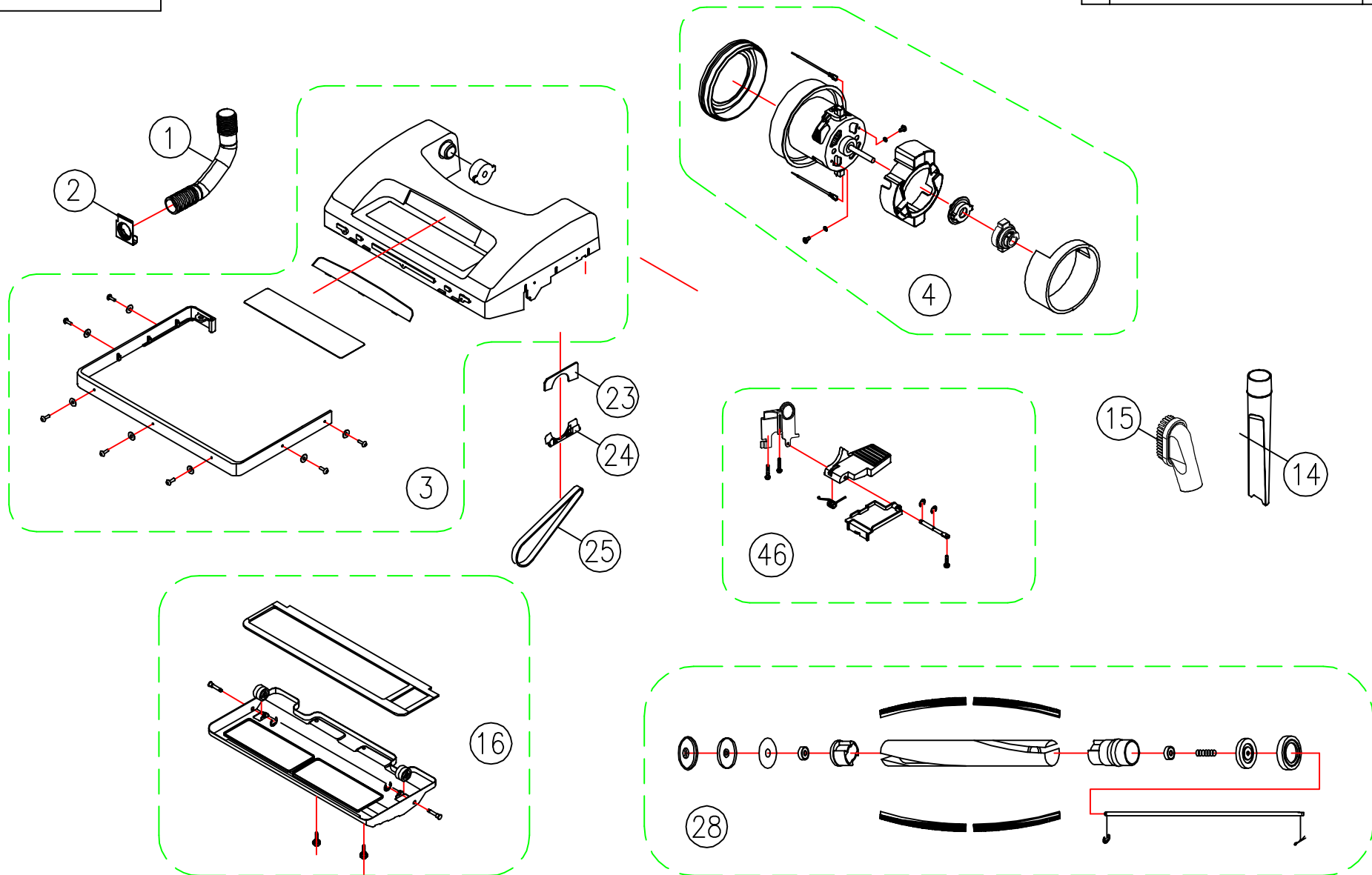
Material	-----
Finish	-----
Drawn	M.D.C.
Checked	M.D.C.

General Tolerance	N/A
Scale	N.T.S.
Date	09.02.10

**TRUVOX™ INTERNATIONAL LIMITED**  
Title  
VUV-QD  
GENERIC DRAWING ASSEMBLY

Drawing/Part Number  
09-1120-0000  
SHEET 1

RED ON MASTER



3RD ANGLE PROJECTION  
DIMENSIONS IN  
MILLIMETRES  
DO NOT SCALE DRAWING  
© COPYRIGHT

Material	-----
Finish	-----
Drawn	M.D.C.
Checked	M.D.C.

General Tolerance	N/A
Scale	N.T.S.
Date	09.02.10

<b>TRUVOX™ INTERNATIONAL LIMITED</b>	
Title	VUV-QD GENERIC DRAWING ASSEMBLY
Drawing/Part Number	09-1120-0000 SHEET 2

RED  
ON  
MASTER