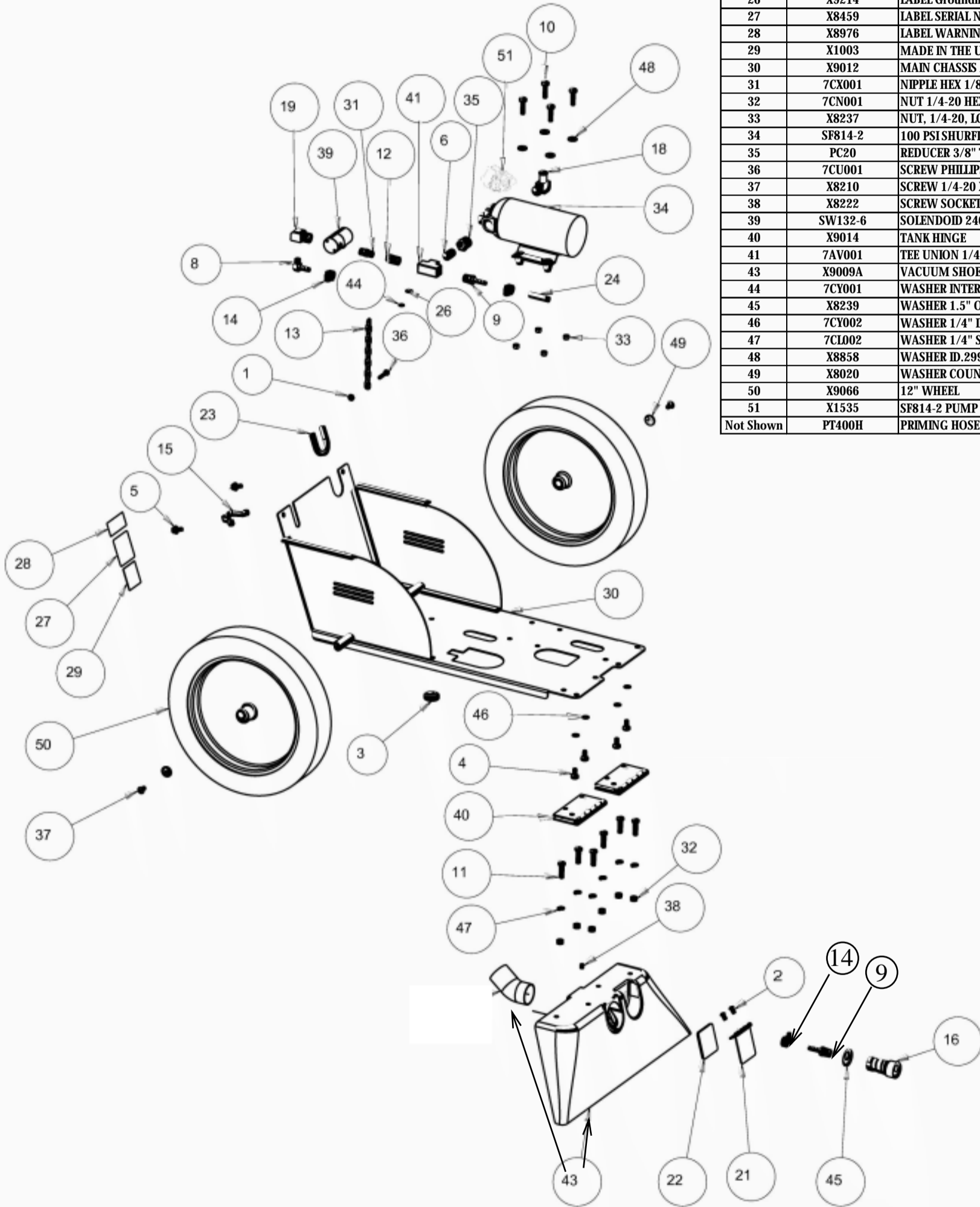


Ref. No.	Part No.	Part Description	Qty
HM35 Sheet 1			
1	X8209S	1/4-20 X 1/2" SERRATED HEX	8
2	X8288	1/4-20 X 4-1/2" BOLT	3
3A	04-3055-0053	POWER CORD UK 15M 3CORE ORANGE 16A C19 CONNECTOR	1
3B	04-3055-0153	POWER CORD EURO 15M 3CORE ORANGE 16A C19 CONNECTOR	1
3C	04-3055-0353	POWER CORD AUS 15M 3CORE ORANGE 16A C19 CONNECTOR	1
4	7AT004	BARB 1/2 HOSE 1/4 MALE	1
5	X9086	BRACK TANK MOUNT 90 DEGREES	2
6	X9085	BRACKET TANK MOUNT	2
7	X9134	BRUSH WARNING LABEL	1
8	X9075	BUSHING 1-1/2" X 1-1/4" PVC	1
9	X8150	CABLE TIE 11" BLACK	2
10	X9068	CHAIN FOR LID	1
11	X1192	CIRCUIT BREAKER 2.5 AMP	1
12	7DL005	CLAMP 1-1/2 WORM GEAR StSt HEX	1
13	7DL008	CLAMP 1/2 WORM GEAR STAINLESS HEX	2
14	72173A	CLIP SPRING	1
15	BA00163582	CORD STRAIN RELIEF BLACK	1
16	PX63	COUPLER PLASTIC 1-1/2" SLIP	1
17	X9043TEAL	COVER TEAL SCE	1
18	X9034-C	DOME LID AND GASKET	1
19	PAS37	DRAIN HOSE	1
20	X9281	EMI FILTER	1
21	K1123	EXPANDER CUFF 1-1/4" TO 1-1/2" GRAY	1
22	PX11A	FITTING PLASTIC ELBOW 90	1
23	PX48	FITTING, BRASS, BULKHEAD 3/4"	1
24	X9053L	FLOAT CAGE WITH LIGHT BALL	1
25	X9080	FLOAT COVER	1
26	X9084	GASKET COVER SCE	1
27	PX48G	GASKET FIBER 1.125 OD X .75 ID	1
28	X9071	GASKET SMALL DOME	1
29	70079C	HOSE 1/2" WIRE REINFORCED 21" LONG	1
30	X9041 REPRO	HOUSING RECOVERY	1
31	X9042TEAL	HOUSING SOLUTION	1
32	X8400TV	HYDROMIST 35 LABEL	1
33	X9110	KNOB LARGE DOME LID	1
34	X9093TV	LABEL 3 HOLE SWITCH PANEL	1
35	X9214	LABEL, GROUND SYMBOL	1
36	X9125-1	LABEL, TANK CAPACITY	1
37	X9120-2	LARGE DOME SPACER GASKET	1
38	X9081	LID SOLUTION TANK	1
39	X9120-1	MOTOR GASKET	1
40	7DN004	NUT CAP 10-32	2
41	PX46	NUT LOCK 1-1/2"	1
42	X8008N	NUT, LOCK, 1/2" STEEL CONDUIT	1
43	X9057	OPEATING INSTRUCTION LABEL	1
44	X8008P	PLASTIC STRAIN RELIEF **	1
45	PAS36	PLUG DRAIN HOSE	1
46	71495A	PUMP PROTECTION FILTER	1
47	X9506	ROCKER SWITCH	3
48	X9200	ROCKER SWITCH WITH PADDLE	1
49	X8270	SCREW 10-24 X 1/2" PHIL	1
50	71651A	SCREW 10-32 X 1/2 PHIL 18-8 StSt	1
51	7BR005	SCREW 10-32 X 3/4" PHIL StSt	2
52	X9135	SCREW 10-32 X 7/8" SOC	2
53	X9098	SCREW #10 X 1" BLACK ZINC	2
54	X8261SS	SCREW #6 X 1/2 PHIL StSt	9
55	X8222	SCREW 1/4-20 X 3/16 SOC	2
56	X9206TV	SIDE LABEL	2
57	X9033	SMALL DOME	1
58	X9092	VAC HOSE 1.5" x 21"	1
59	PX25	VAC INLET STRAIGHT	2
60	72611C/KIT/9	VACUUM 3-STAGE 230V	1
61	X9129	VACUUM STACK ASSEMBLY	1
62	PX14A	VALVE GASKET	1
63	7CM003	WASHER #10 FLAT S/S	4
64	72274A	WASHER 3/4" NEOPRENE-BOND	1
65	X8858	WASHER ID.299 OD.622 THK.055	9
66	X9842	WIRING HARNESS INCLUDES PART WITH **	1
67	X9124	RECOVERY DOME GASKET	1

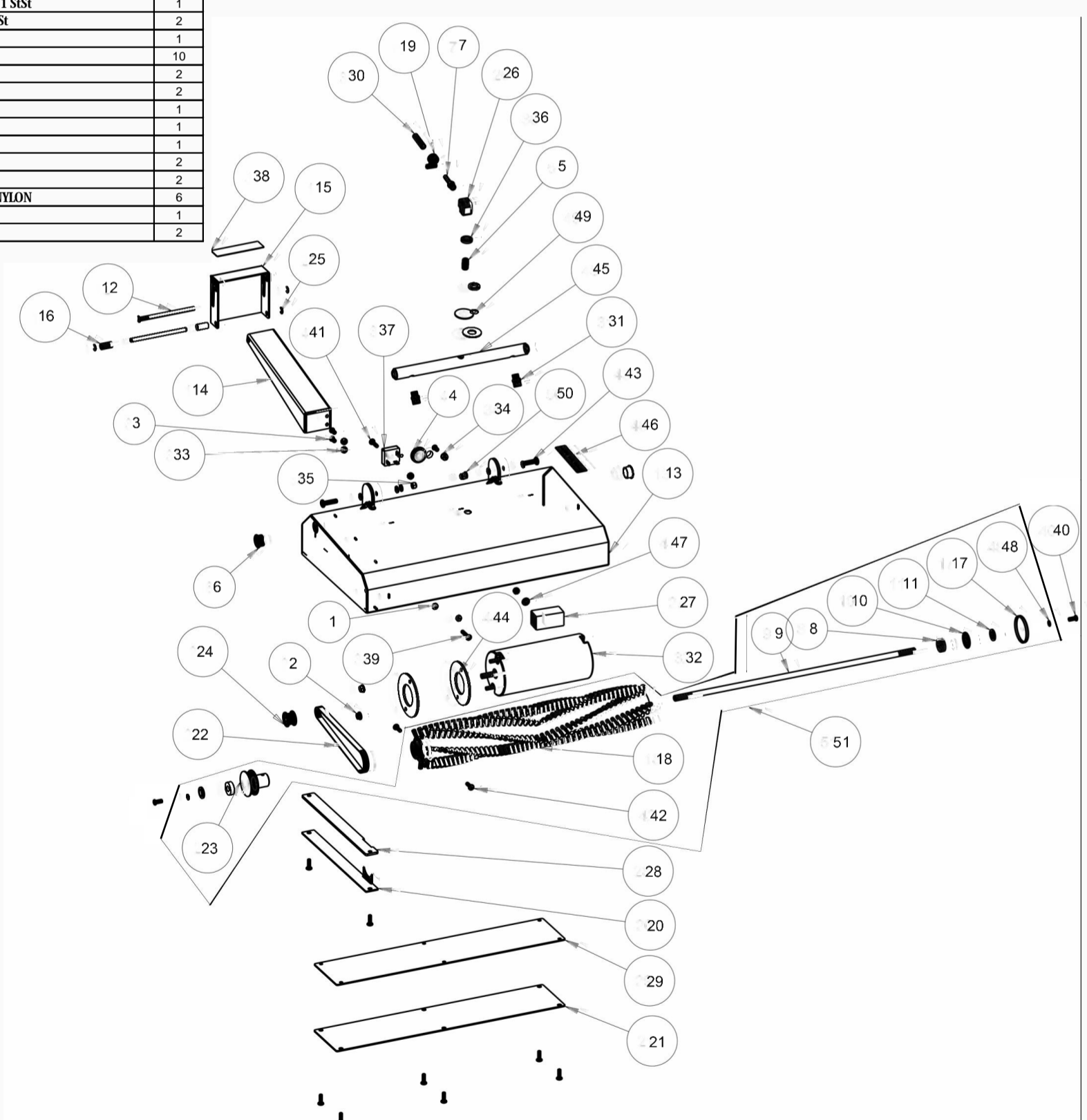
Tacony		Hydromist 35	
Part Number:		HM35	
Date:	13-09-2021	Sheet no.	1 / 3
Drawing Number:	09-1108-0000 (Series A)		
Drawing Issue:	C		
Modified By:	J CLARKE	DESCRIPTION OF CHANGE	ECN #
Reference Parts List Issue:	14	Vacuum Motor Change	-



Ref. No.	Part No.	Part Description	Qty
HM35 Sheet 2			
1	X8241	NUT HEX HEAD 10-24 StSt	1
2	7BH004	SCREW Phillips Pan Head 10-32 x 3/8" StSt	2
3	X9100	GROMMET 1/2"	1
4	X8209	SCREW HEX HEAD CAP 1/4-20 X 1/2" ZINC	4
5	X8209S	1/4-20 X 1/2 INCH SERRATED HEX SELF LOCKING FLANGE SCREW ZP	2
6	PX32	1/4" CLOSE NIPPLE BRASS	1
8	7AT006	BARBED ELBOW CONNECTOR 1/4 - 1/8	1
9	7AT003	HOSE BARB 1/4" HOSE X 1/4 MALE	2
10	X9211	BOLT 1/4-20 x 1"	4
11	X8282	BOLT HEX HEAD 1/4-20 X 1 StSt	6
12	7AG002	BUSHING 1/4-1/8 NPT	1
13	X9144	CHAIN 28" ZINC PLATED	1
14	7DL003	CLAMP 1/4" WORM GEAR StSt	3
15	X9111	Cord Clamp	1
16	PX6	FEMALE DISCONNECT	1
18	71507A	ELBOW 1/2H - 3/8 MPT	1
19	SW139	ELBOW STREET 1/8"	1
21	X9096	FLIP DOOR WITH HINGE ASSEMBLY	1
22	X9097	FLIP DOOR GASKET	1
23	X9109	GROMMET 5/8" LONG EXTRUDED	1
24	71817A	BRAIDED HOSE 1/4" (16" LONG)	1
26	X9214	LABEL Grounding Symbol	1
27	X8459	LABEL SERIAL NUMBER PLAIN	1
28	X8976	LABEL WARNING	1
29	X1003	MADE IN THE USA LABEL	1
30	X9012	MAIN CHASSIS ASSEMBLY	1
31	7CX001	NIPPLE HEX 1/8"	1
32	7CN001	NUT 1/4-20 HEX	6
33	X8237	NUT, 1/4-20, LOCK NYLON INSERT ZINC PLATED	4
34	SF814-2	100 PSISHURFLO PUMP 220V	1
35	PC20	REDUCER 3/8" TO 1/4"	1
36	7CU001	SCREW PHILLIPS PAN HEAD 10-24 X 1 StSt	1
37	X8210	SCREW 1/4-20 X 1/2" PHILLIPS FLAT HEAD ZP	2
38	X8222	SCREW SOCKET SET FLAT POINT LOC-TITE 1/4-20 X 3/16	1
39	SW132-6	SOLENOID 240v 50hz 100PSI	1
40	X9014	TANK HINGE	2
41	7AV001	TEE UNION 1/4 NPT	1
43	X9009A	VACUUM SHOE ALUMINIUM AND TUBE PFXS900S	1
44	7CY001	WASHER INTERNAL LOCK StSt	1
45	X8239	WASHER 1.5" O/D X .400" I/D ZP	1
46	7CY002	WASHER 1/4" INTERNAL LOCK StSt	4
47	7CL002	WASHER 1/4" SPLIT LOCK	6
48	X8858	WASHER ID.299 OD.622 THK.055	4
49	X8020	WASHER COUNTERSUNK	2
50	X9066	12" WHEEL	2
51	X1535	SF814-2 PUMP HEAD	1
Not Shown	PT400H	PRIMING HOSE (HM35 HM55/100 HM55/400)	1

Tacony		Hydromist 35	
Part Number:		HM35	
Date:	13-09-2021	Sheet no. 2 / 3	
Drawing Number:	09-1108-0000 (Series A)		
Drawing Issue:	C	DESCRIPTION OF CHANGE ECN #	
Modified By:	J CLARKE		
Reference Parts List Issue:	14	Format Change -	

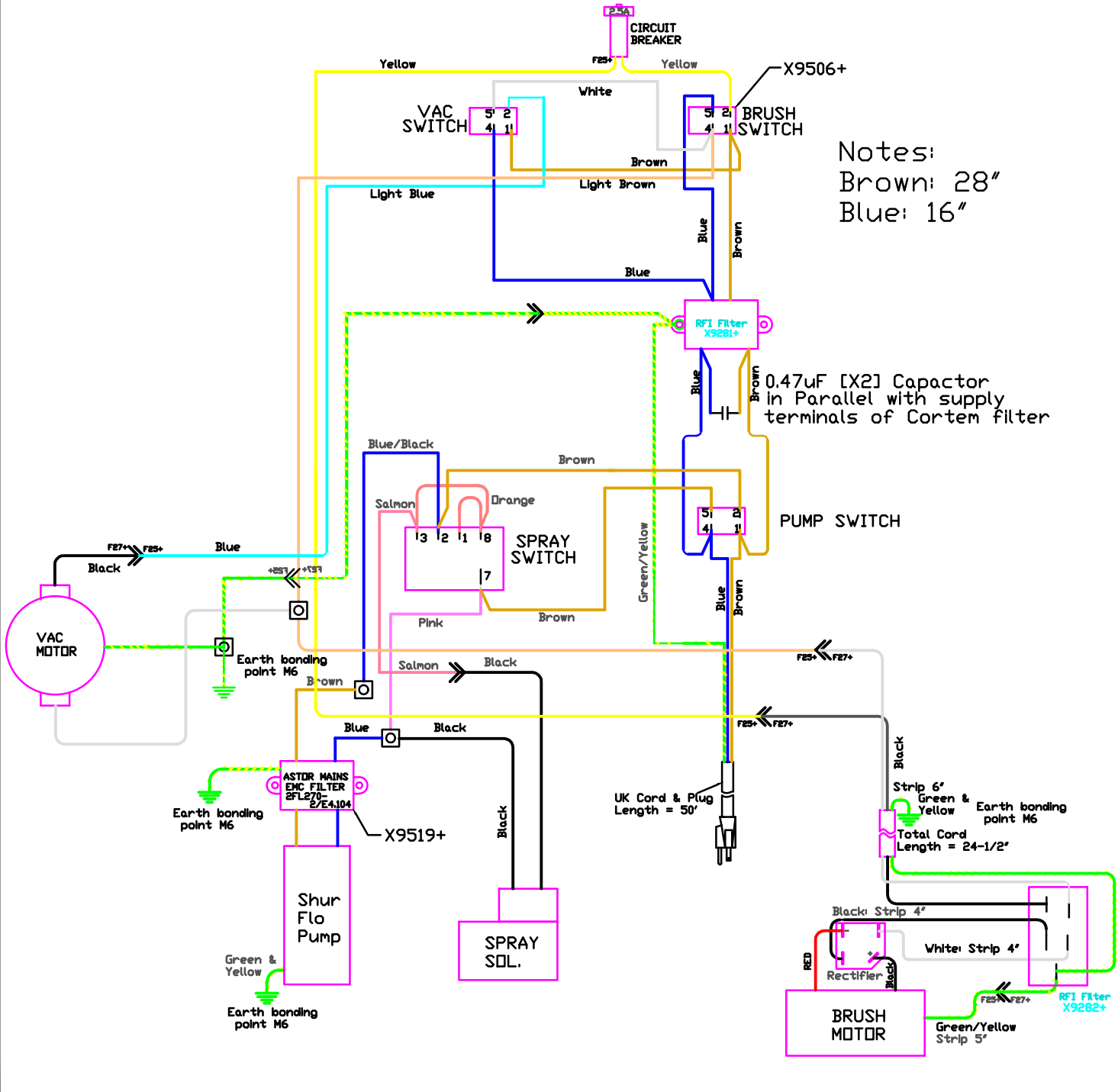
Ref. No.	Part No.	Part Description	Qty
		HM35 Sheet 3	
1	X8241	NUT HEX HEAD 10-24	2
2	X9169	FLANGE NUT HEX HEAD 10-32 StSt	2
3	7BH004	10-32 x3/8 PHIL PAN StSt	3
4	X9100	GROMMET 1/2"	1
5	PC45	1/8" CLOSE NIPPLE	1
6	X9174	LOCKING PLUG 3/4" UNVENTED	2
7	PC66	FITTING 1/8" NPTM x 1/4 HOSE BARB	1
8	X9001	BRUSH BEARING	2
9	X9017	BRUSH AXLE	1
10	X9019	BRUSH BEARING SHIELD	1
11	X9018	BRUSH BEARING SPACER NYLON	2
12	X9030	BRUSH FOOT PEDAL	2
13	X9015	BRUSH HOUSING	1
14	X9107	BRUSH LIFTING BRACKET	1
15	X9026	BRUSH LIFT PEDAL	1
16	X9027	BRUSH LIFT PEDAL SPACER	2
17	X9020	BRUSH THREAD GUARD	1
18	X9070	BRUSHROLL	1
19	9DI003	CLAMP 1/4 WORM GEAR StSt	1
20	X9015B	COVERPLATE BRUSH MOTOR BELT	1
21	X9015A	BRUSH MOTOR COVERPLATE	1
22	X9004	BRUSH DRIVE BELT	1
23	X9117	DRIVE PULLEY 24 TEETH	1
24	X9116	DRIVE PULLEY 12 TOOTH (WITH 2 OFF 8-32 SET SCREWS)	1
25	X9114	E RING 1/4"	4
26	7AK003	ELBOW UNION 1/8" NPT	1
27	X9282	EMI FILTER BRUSH MOTOR	1
28	X9150	GASKET BELT COVER	1
29	X9126	GASKET BRUSH MOTOR COVER	1
30	71817A	BRAIDED HOSE 1/4" (16" LONG)	1
31	X9139B	HM35 MINATURE NOZZLE	2
32	X9119	MOTOR 220VDC 1/4HP 3"	1
33	7BF008	NUT 10-32 KEPS StSt	4
34	X8830	NYLON LOCK NUT 10-32 StSt	1
35	X8237	NUT, 1/4-20, LOCK NYLON INSERT ZINC PLATED	2
36	X8293	WASHER NYLON .50" I/D X .75" OD X .130" THK BLACK	2
37	X1193	RECTIFIER 1000V 35 AMP	1
38	X9122	SAFETY WALK TAPE 1" WIDE	1
39	7CU001	SCREW PHILIPS PAN HEAD 10-24 X 1 StSt	1
40	71651A	SCREW 10-32 X 1/2 PHIL PAN MS StSt	2
41	9BR005	SCREW 10-32 X 3/4" PHIL StSt	1
42	X9118	SCREW FLAT HEAD 10-32 X 5/8 StSt	10
43	9CU003	SCREW 1/4-20 X 1" PHIL StSt	2
44	X9099	MOTOR SPACER	2
45	X9021	SPRAY MANIFOLD	1
46	X9128	SUPERIOR EDGE LABEL	1
47	9CM003	WASHER #10 FLAT StSt	1
48	7CM004	Washer, 3/8 USS FLAT HD StSt	2
49	9CM007	WASHER 1/2 USS FLAT 18-8 StSt	2
50	92241A	WASHER 1/4" ID FLAT .059" THICK NYLON	6
51	X9438	BRUSH ASSEMBLY HM35	1
52	X1745	NOZZLE BODY	2



Tacony		Hydromist 35	
Part Number:		HM35	
Date:	13-09-2021	Sheet no. 3 / 3	
Drawing Number:	09-1108-0000 (Series A)		
Drawing Issue:	C	DESCRIPTION OF CHANGE ECN #	
Modified By:	J CLARKE		
Reference Parts List Issue:	14	Format Change	-

SCHEMATIC USED FOR THE FOLLOWING MACHINES:

HM35	-	-	-
-	-	-	-
-	-	-	-
-	-	-	-



Notes:
Brown: 28"
Blue: 16"

0.47uF [X2] Capacitor in Parallel with supply terminals of Cortem filter

REV	DATE	ECN	DESCRIPTION	BY	Powr-Flite COMMERCIAL FLOOR CARE EQUIPMENT	3101 Wichita Court Fort Worth, TX 76140-1755
01	7/10/09	-	Changed Wire Color	AR		
-	-	-	-	-	MATERIAL	FINISH
-	-	-	-	-	DWN	DATE
X.X ±0.02 IN RADII X.X ±0.02 X.XX ±0.01 IN X.XX ±0.01 X.XXX ±0.005 IN COMMON CONCENTRIC TO 0.002" X.XXXX ±0.0005 IN TO 0.30" ± 0.30" BREAK SHARP EDGES TO .010 MAX.				POWR-FLITE CORPORATION CLAIMS PROPRIETARY RIGHTS IN THE MATERIAL DISCLOSED HEREIN. THIS DRAWING IS ISSUED FOR ENGINEERING INFORMATION ONLY. IT MAY NOT BE REPRODUCED, NOR MAY THE INFORMATION HEREIN BE USED FOR MANUFACTURING PURPOSES WITHOUT WRITTEN PERMISSION FROM POWR-FLITE CORP.		
DESCRIPTION					WIRING DIAGRAM - 230V	
PART NUMBER					WPF042	
					REV 01	