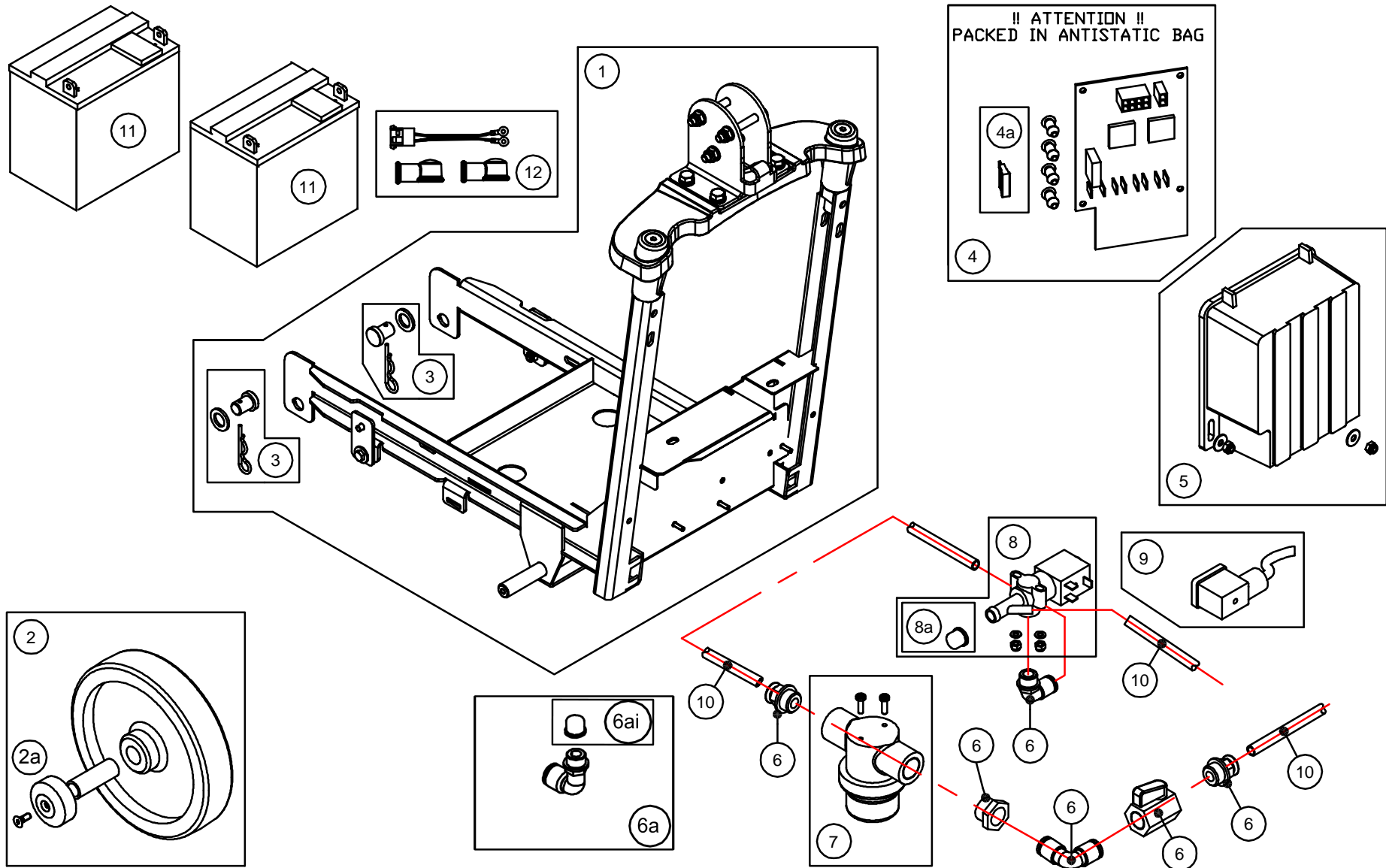


| Tacony CFC | | Orbis Battery Scrubber | |
|---------------------------|---|--|-----|
| Part Number: | OBS38130/G | | |
| Series: | B | | |
| Date: | 17-MARCH-22 | | |
| Reference Drawing: | 09-1125-0000 Sheets 1 to 8: 1-Chassis, 2-Brush Head, 3-Solution tank & Vacuum motor, 4-Recovery Tank, 5-Handle, 6-Charger, Rear Cover and Pedal Assembly 7-Suction Beam assy | | |
| Reference Drawing Issue: | A | | |
| Modified By: | J Clarke | | |
| Service Parts List Issue: | I6 | ECN # | |
| Description of Change: | Change to Part no. 04-3237-0000 to 04-4024-0000 | - | |
| Ref. No. | Part No. | Part Description | Qty |
| | | DRAWING SHEET 1: CHASSIS ASSEMBLY | |
| 1 | 95.0025.00 | CHASSIS ASSEMBLY CONSISTING OF: | 1 |
| | | Chassis (1 per kit) | |
| | | Washer D 6 A2 DIN 127 (2 per kit) | |
| | | Washer D.6X18 A2 DIN9021N (6 per kit) | |
| | | Nut M 6 A2 DIN 982 (2 per kit) | |
| | | Solution Tank Fixing Plate (2 per kit) | |
| | | Washer D6 A2 DIN 125A (2 per kit) | |
| | | Screw M 6X12 A2 DIN 933 (2 per kit) | |
| | | Screw M6X20 A2 DIN 933 (2 per kit) | |
| | | Handle Support (1 per kit) | |
| | | Handle Support Frame (1 per kit) | |
| | | Handle Support Fixing Pin (2 per kit) | |
| | | Screw M8X25 A2 DIN 7991 (2 per kit) | |
| | | Washer D8 A2 DIN 125A (10 per kit) | |
| | | Washer D8 A2 DIN 127 (4 per kit) | |
| | | Screw M8X16 A2 DIN 933 (4 per kit) | |
| | | Nut M8 A2 DIN 982 (3 per kit) | |
| | | Screw M8X60 A2 DIN 933 (3 per kit) | |
| | | Screw M6X20 A2 DIN 7991 (2 per kit) | |
| 2 | 95.0026.00 | WHEEL ASSEMBLY CONSISTING OF: | 2 |
| | | Wheel Tube (1 per kit) | |
| | | Wheel (1 per kit) | |
| | | Screw M6 x 16 A2 DIN 7991 (1 per kit) | |
| 2a | 50.0050.00 | Ball Bearing Cover (1 per kit) | 1 |
| 3 | 95.0027.00 | BRUSH COVER FIXING KIT CONSISTING OF: | 1 |
| | | Pin (2 per kit) | |
| | | Washer D.14XD.20X1 DIN 998 (2 per kit) | |
| | | Split Pin A2,8 (2 per kit) | |
| 4 | 95.0002.00 | ELECTRONIC BOARD CONSISTING OF: | 1 |
| | | Spacer (4 per kit) | |
| | | Electronic Board (1 per kit) | |
| 4a | 34.0031.00 | Fuse 30Amp (1 per kit) | 1 |

| | | | |
|-----|--------------|---|---|
| 5 | 95.0103.00 | ELECTRONIC BOARD COVER ASSEMBLY CONSISTING OF: | 1 |
| | | Nut M4 A2 DIN 982 (2 per kit) | |
| | | Electronic Board Cover (1 per kit) | |
| | | Washer D4X12 A2 (2 per kit) | |
| 6 | 95.0029.01 | HOSE CONNECTOR KIT CONSISTING OF: | 1 |
| | | Connection Nipple (1 per kit) | |
| | | Connection Elbow (1 per kit) | |
| | | Flow Valve (1 per kit) | |
| | | Connection 1/4" tube D.8 RL1 (1 per kit) | |
| | | Connection D.3/8" tube D.8 (1 per kit) | |
| | | Connection 1/4" tube D. 8 (1 per kit) | |
| | | Elbow Connector 3/8" D.12 (1 per kit) | |
| | | Hose Connector (1 per kit) | |
| 6a | 95.0089.00 | Elbow Connection Tank Drain Kit 3/8" tube D. 8 (1 per kit) | 1 |
| | | Elbow Connector 1/4" D.8 (1 per kit) | |
| 6ai | 95.0096.00 | Hose Cap (5 per kit) | 1 |
| 7 | 95.0030.00 | SOLUTION FILTER KIT CONSISTING OF: | 1 |
| | | Solution Filter (1 per kit) | |
| | | Screw TCC M3,5x12 A2 DIN 7982C (2 per kit) | |
| 8 | 95.0031.00 | SOLENOID VALVE KIT CONSISTING OF: | 1 |
| | | Solenoid Valve EV.2/2NC 1/4" 24VDC D150PS75/3/301 (1 per kit) | |
| | | Washer M4 A2 DIN 125A (2 per kit) | |
| | | Nut M4 A2 DIN 982 (2 per kit) | |
| 8a | 95.0067.00 | Cap (1 per kit) | 1 |
| 9 | 34.0126.00 | SOLENOID VALVE CONNECTOR | 1 |
| 10 | 95.0061.00 | SOLUTION HOSE KIT CONSISTING OF: | 1 |
| | | Solution Hose L=360 (1 per kit) | |
| | | Solution Hose L=400 (1 per kit) | |
| | | Solution Hose L=560 (1 per kit) | |
| 11 | 04-3918-0000 | GEL BATTERY 12V 25Ah | 2 |
| 12 | 95.0069.00 | BATTERY CONNECTION CABLE KIT CONSISTING OF: | 1 |
| | | Cover (4 per kit) | |
| | | Battery Connection Cable (2 per kit) | |



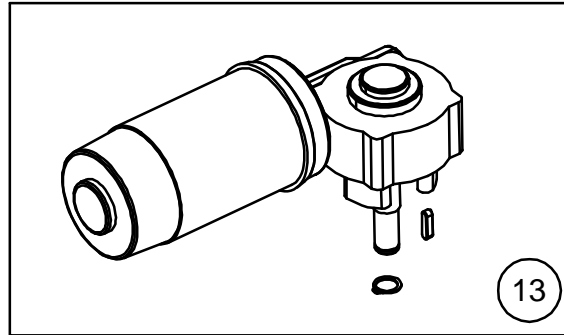
Tacony CFC

ORBIS BATTERY SCRUBBER DRIER

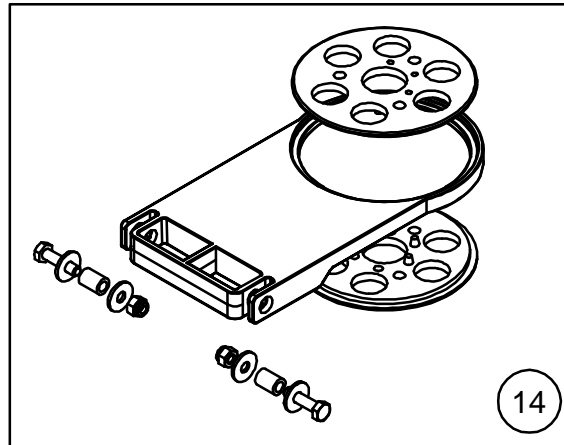
DRAWING NO: 09-1125-0000 SHEET 1 - CHASSIS ASSEMBLY

| | | | |
|------------------|------------------|-----------------------|------------|
| MACHINE: | OBS38130 | | |
| REF. PARTS LIST: | OBS38130 ISSUE 1 | | |
| SERIES: | B | | |
| REVISION | ECN # | DESCRIPTION OF CHANGE | MOD. BY |
| B | - | - | - |
| | | | DATE |
| | | | 27 SEPT 10 |

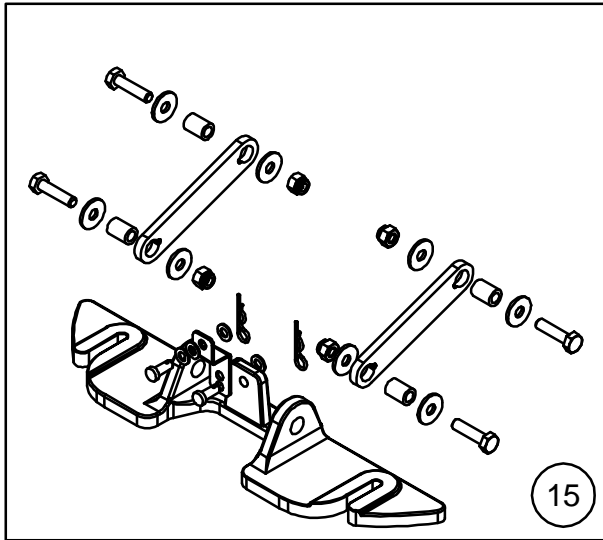
| Ref. No. | Part No. | Part Description | Qty |
|----------|------------|---|-----|
| | | DRAWING SHEET 2: BRUSH HEAD ASSEMBLY | |
| 13 | 95.0032.00 | BRUSH MOTOR KIT CONSISTING OF: | 1 |
| | | Brush Motor 250W 24V + CONNETTORE IP44 (1 per kit) | |
| | | Shaft Key 5X5X20 UNI 6604 A2 (1 per kit) | |
| | | Circlip UNI 7435 D.15 E A2 (1 per kit) | |
| 14 | 95.0033.00 | FULCRUM ARM ASSEMBLY CONSISTING OF: | 1 |
| | | Fulcrum (2 per kit) | |
| | | Fulcrum Arm Bracket (1 per kit) | |
| | | Washer D.6X18 A2 DIN9021N (4 per kit) | |
| | | Screw M 6X25 A2 DIN 933 (2 per kit) | |
| | | Bush (2 per kit) | |
| | | Nut M6 A2 DIN 982 (2 per kit) | |
| 15 | 95.0034.00 | SQUEEGEE SUPPORT ASSEMBLY CONSISTING OF: | 1 |
| | | Washer D.6X18 A2 DIN9021N (8 per kit) | |
| | | Screw M 6X25 A2 DIN 933 (5 per kit) | |
| | | Washer D6 A2 DIN 125A (2 per kit) | |
| | | Fulcrum Arm Bar (2 per kit) | |
| | | Squeegee Support (1 per kit) | |
| | | Bush (4 per kit) | |
| | | Nut M6 A2 DIN 982 (5 per kit) | |
| | | Connection to squeegee lift cable (1 per kit) | |
| | | Coupling (2 per kit) | |
| | | Washer D5 A2 DIN 125A (4 per kit) | |
| | | Spring split pin (2 per kit) | |
| 16 | 95.0035.00 | BUMPER ASSEMBLY CONSISTING OF: | 1 |
| | | Washer D.6X18 A2 DIN9021N (2 per kit) | |
| | | Washer D 6 A2 DIN 127 (2 per kit) | |
| | | Bumper Spacer (2 per kit) | |
| | | Bumper (2 per kit) | |
| | | Screw M 6X25 A2 DIN 933 (2 per kit) | |
| 17 | 95.0036.00 | BRUSH COVER ASSEMBLY (MALISH CLUTCH) CONSISTING OF: | 1 |
| | | Brush Cover (1 per kit) | |
| | | Washer D.6X18 A2 DIN9021N (3 per kit) | |
| | | Washer D 6 A2 DIN 127 (7 per kit) | |
| | | Screw M 6X30 A2 DIN 933 (3 per kit) | |
| | | Brush Cover Angle Bracket (2 per kit) | |
| | | Washer D6 A2 DIN 125A (4 per kit) | |
| | | Malish Clutch (1 per kit) | |
| | | Screw M 6X16 A2 DIN 933 (4 per kit) | |



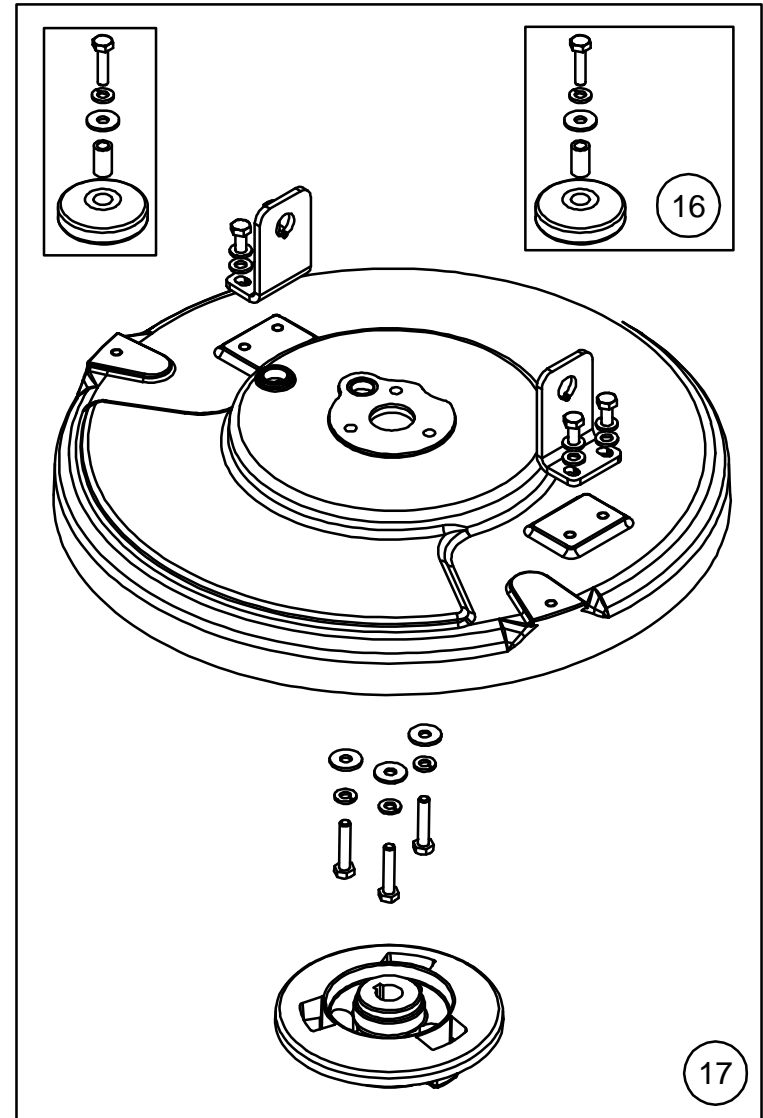
13



14



15



16

17

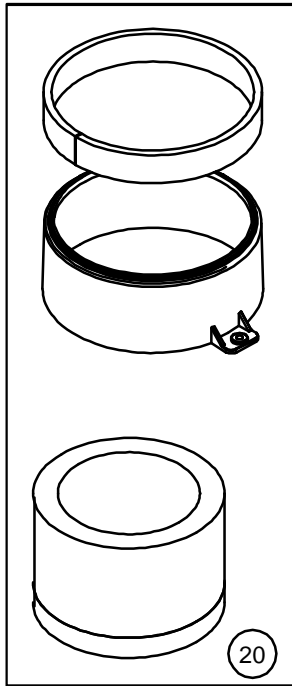
Tacony CFC

ORBIS BATTERY SCRUBBER DRIER

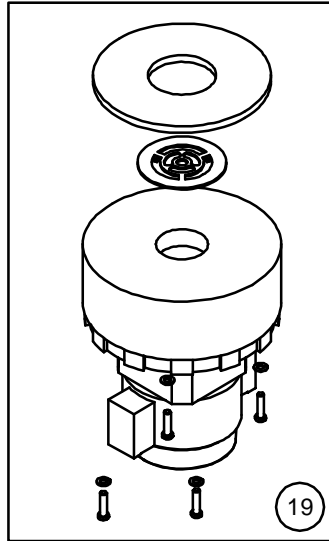
DRAWING NO: 09-1125-0000 SHEET 2 - BRUSH HEAD ASSEMBLY

| | | | |
|------------------|------------------|-----------------------|------------|
| MACHINE: | OBS38130 | | |
| REF. PARTS LIST: | OBS38130 ISSUE 1 | | |
| SERIES: | B | | |
| REVISION | ECN # | DESCRIPTION OF CHANGE | MOD. BY |
| A | - | ORIGINAL ISSUE | - |
| | | | DATE |
| | | | 27 SEPT 10 |

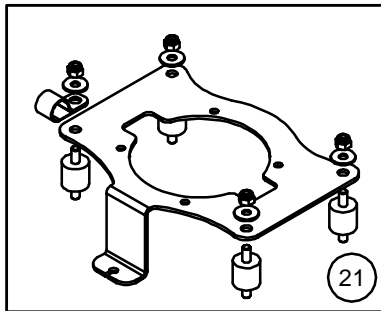
| Ref. No. | Part No. | Part Description | Qty |
|----------|------------|---|-----|
| | | DRAWING SHEET 3: SOLUTION TANK AND VACUUM MOTOR ASSEMBLY | |
| 18 | 95.0102.00 | SOLUTION TANK KIT CONSISTING OF: | 1 |
| | | Solution Tank RAL9005 (1 per kit) | |
| | | Washer D 6 A2 DIN 127 (4 per kit) | |
| | | Nut M 6 A2 DIN 982 (4 per kit) | |
| | | Cap (2 per kit) | |
| | | Washer D.6X18 A2 DIN9021N (6 per kit) | |
| | | Solution Tank Fixing Plate (2 per kit) | |
| | | Washer D6 A2 DIN 125A (2 per kit) | |
| | | Screw M 6X12 A2 DIN 933 (2 per kit) | |
| | | Screw M6X20 A2 DIN 933 (2 per kit) | |
| 18a | 95.0089.00 | Elbow Connection Tank Drain Kit 3/8" tube D. 8 (1 per kit) | 1 |
| 18ai | 95.0096.00 | Hose Cap (5 per kit) | 1 |
| | | Elbow Connection Tank Drain 3/8" to tube D. 8 (1 per kit) | |
| | | Screw M6X35 A2 DIN 933 (2 per kit) | |
| | | | |
| 19 | 95.0038.00 | VACUUM MOTOR KIT CONSISTING OF: | 1 |
| | | Vacuum Motor 2ST 24VDC 250W UL + IP44 (1 per kit) | |
| | | Vacuum Motor Protection Grid (1 per kit) | |
| | | Vacuum Motor Gasket (1 per kit) | |
| | | Screw M5X22 (4 per kit) | |
| | | Washer D5 A2 DIN 127 (4 per kit) | |
| | | | |
| 20 | 95.0101.00 | VACUUM AIR FLOW & SOUND PROOFING KIT CONSISTING OF: | 1 |
| | | Sound Proofing (1 per kit) | |
| | | Air Flow Breaker (1 per kit) | |
| | | Foam Ring (1 per kit) | |
| | | | |
| 21 | 95.0040.00 | VACUUM MOTOR HOLDER KIT CONSISTING OF: | 1 |
| | | Anti Vibration Mounts 20X20 M6X12 (4 per kit) | |
| | | Vacuum Motor Holder (1 per kit) | |
| | | Washer D.6X18 A2 DIN9021N (4 per kit) | |
| | | Nut M 6 A2 DIN 982 (4 per kit) | |
| | | Cable Clamp (1 per kit) | |
| | | | |
| 22 | 30.0024.00 | SOLUTION TANK FILLING HOSE1 | 1 |



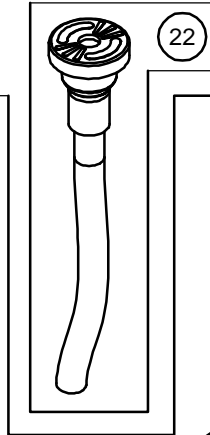
20



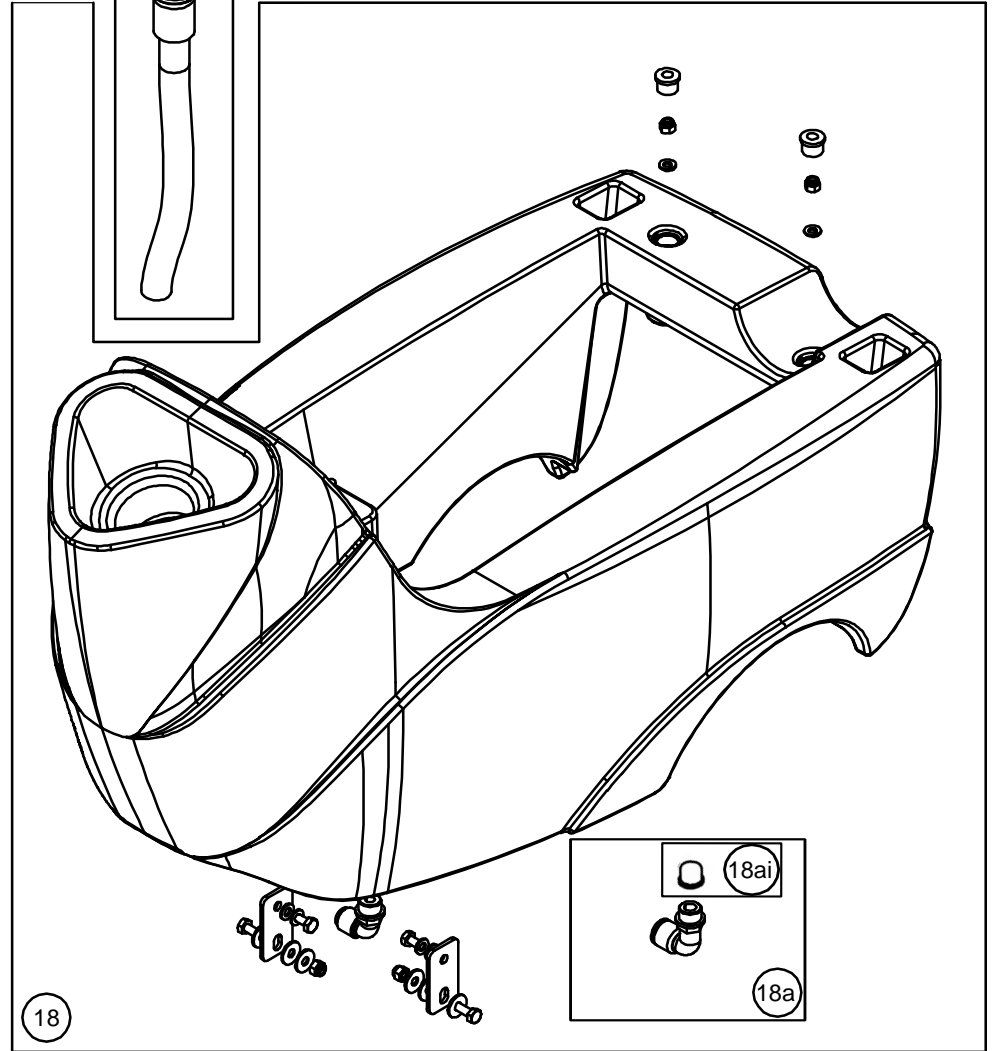
19



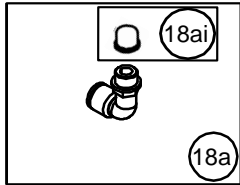
21



22



18



18ai

18a

Tacony CFC

ORBIS BATTERY SCRUBBER DRIER

DRAWING NO: 09-1125-0000 SHEET 3 - SOLUTION TANK AND VACUUM MOTOR ASSEMBLY

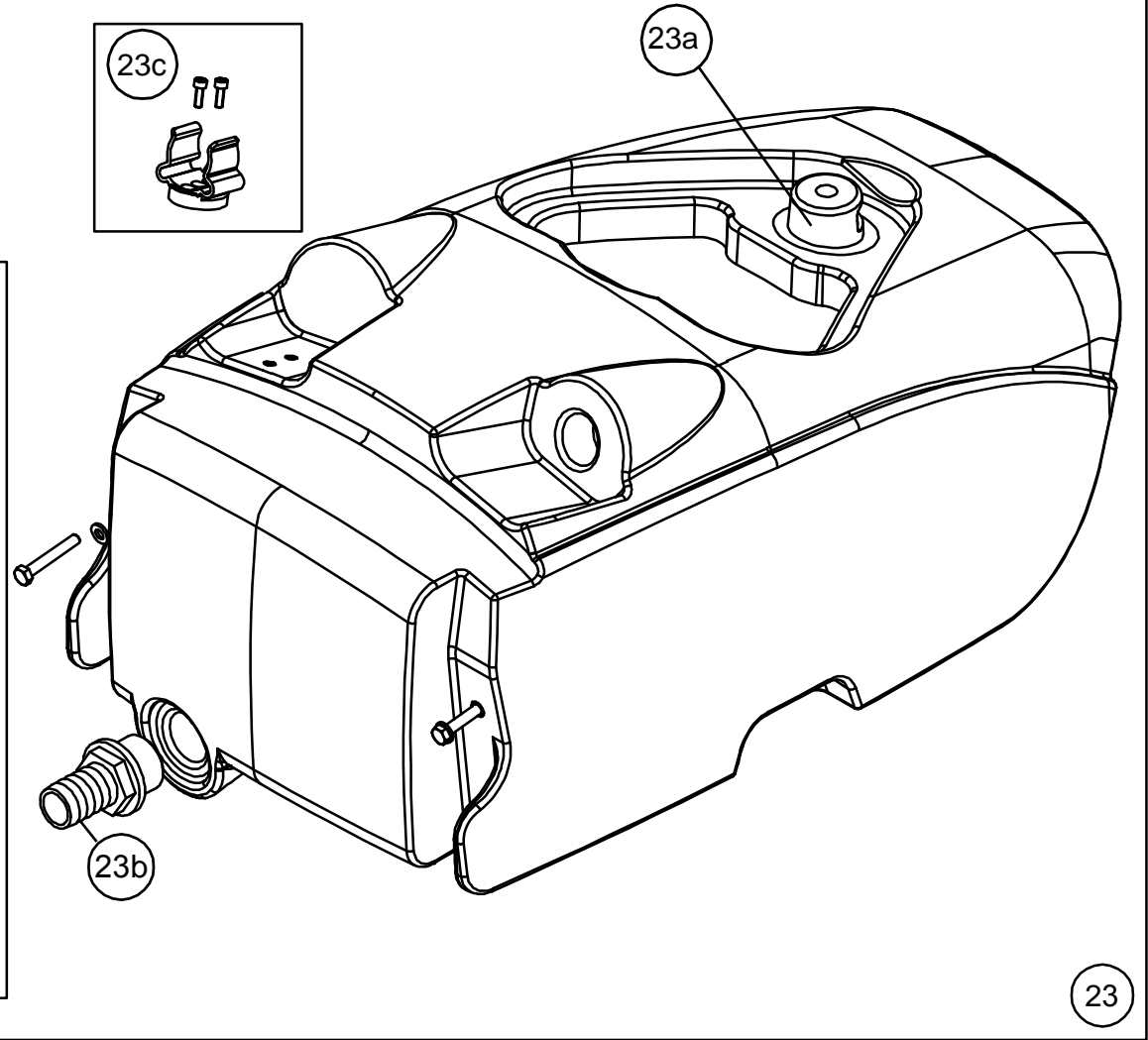
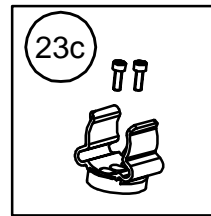
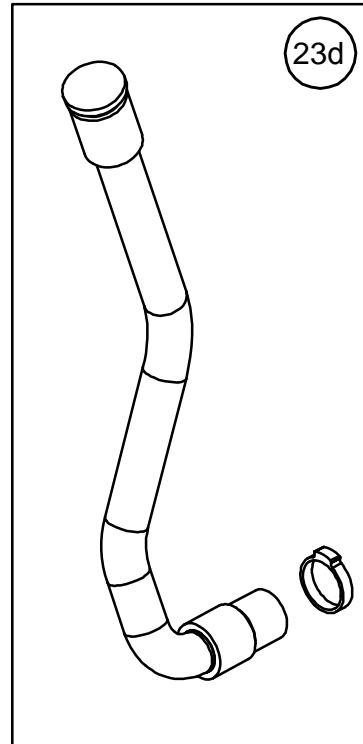
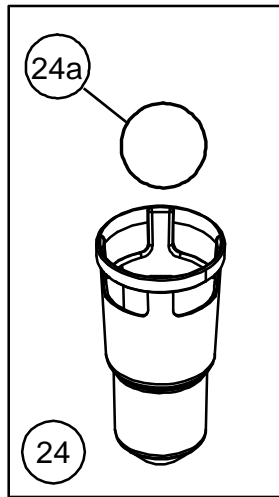
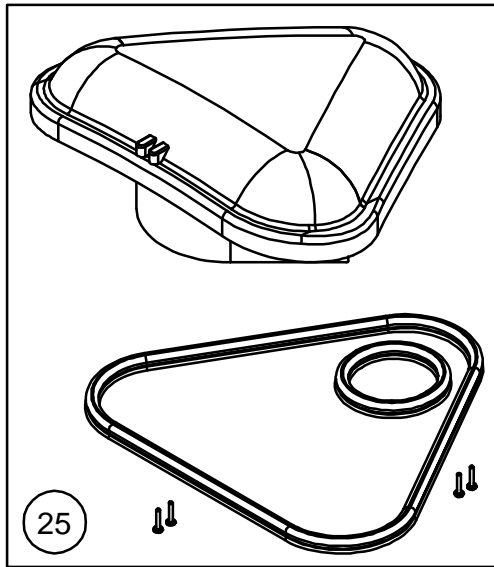
MACHINE: OBS38130

REF. PARTS LIST: OBS38130 ISSUE 1

SERIES: B

| REVISION | ECN # | DESCRIPTION OF CHANGE | MOD. BY | DATE |
|----------|-------|-----------------------|---------|------------|
| B | - | - | - | 27 SEPT 10 |

| Ref. No. | Part No. | Part Description | Qty |
|----------|--|--|-----|
| | DRAWING SHEET 4: RECOVERY TANK ASSEMBLY | | |
| 23 | 95.0041.00 | RECOVERY TANK ASSEMBLY CONSISTING OF: | 1 |
| | | Recovery Tank Truvox RAL 5021 Water Blue (1 per kit) | |
| | | Washer D 6 A2 DIN 125A (2 per kit) | |
| | | Screw M 6X40 A2 DIN 933 (2 per kit) | |
| 23a | 24.0162.00 | Protection Cap | 1 |
| 23b | 30.0096.00 | Hose Connector 1"-DN25 | 1 |
| 23c | 95.0042.00 | DRAIN HOSE CLAMP KIT CONSISTING OF: | 1 |
| | | Drain Hose Clamp 29-33 (1 per kit) | |
| | | Screw M4X12 A2 DIN 912 (2 per kit) | |
| 23d | 95.0043.00 | DRAIN HOSE KIT CONSISTING OF: | 1 |
| | | Drain Hose D.25 L=500 (1 per kit) | |
| | | Hose Clamp (1 per kit) | |
| 24 | 95.0045.00 | VACUUM MOTOR FLOAT CAGE ASSEMBLY CONSISTING OF: | 1 |
| | | Cone and Ball (1 per kit) | |
| 24a | 24.0138.00 | Ball D.35 (1 per kit) | 1 |
| 25 | 95.0044.00 | INSPECTION CAP ASSEMBLY CONSISTING OF: | 1 |
| | | Inspection Cap (1 per kit) | |
| | | Screw M2,2X13 A2 DIN 7991C (4 per kit) | |
| | | Inspection Cap Gasket (1 per kit) | |
| | | Protection Cap Gasket (1 per kit) | |



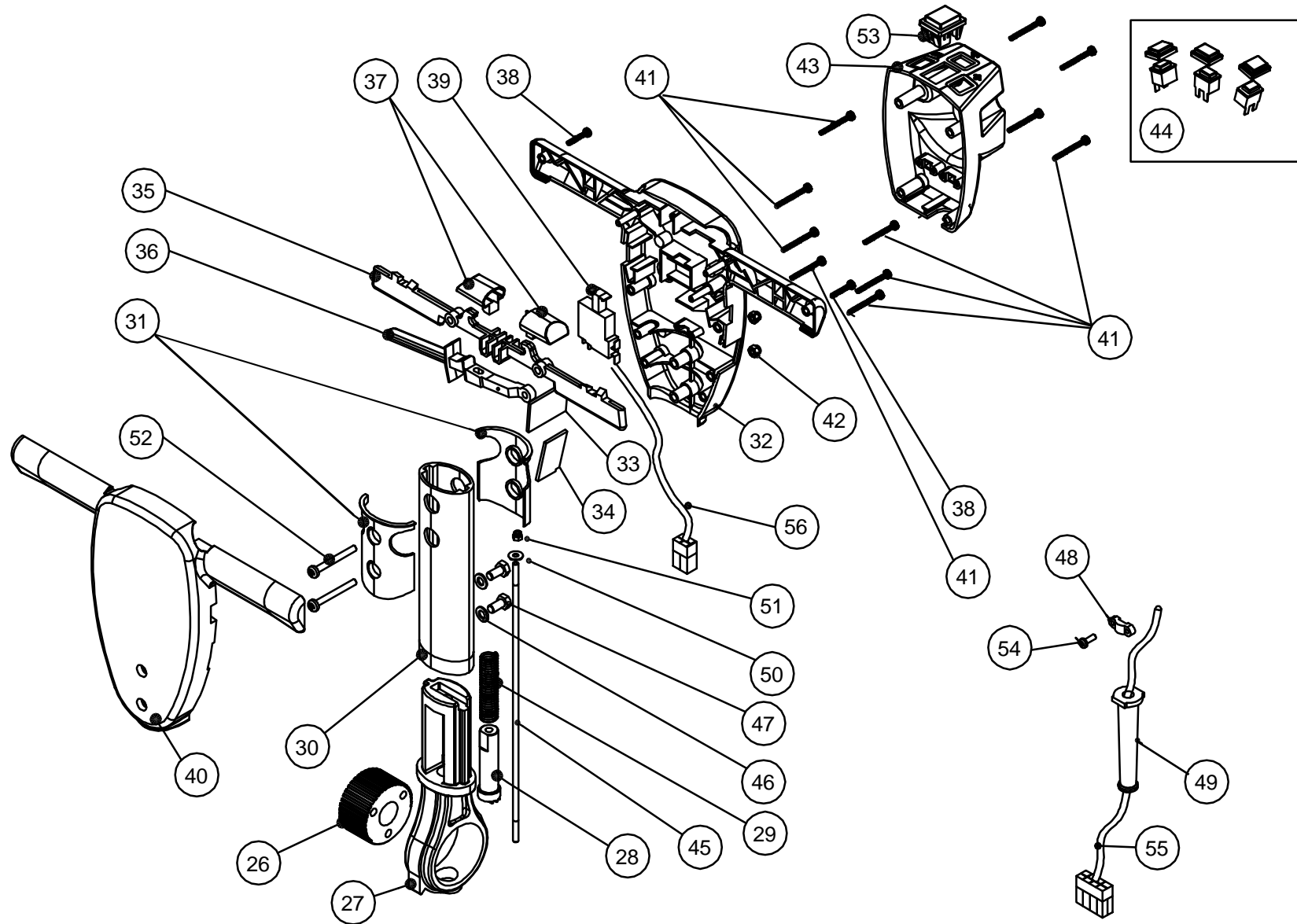
Tacony CFC

ORBIS BATTERY SCRUBBER DRIER

DRAWING NO: 09-1125-0000 SHEET 4 - RECOVERY TANK ASSEMBLY

| | | | |
|------------------|------------------|-----------------------|-------------|
| MACHINE: | OBS38130 | | |
| REF. PARTS LIST: | OBS38130 ISSUE 1 | | |
| SERIES: | B | | |
| REVISION | ECN # | DESCRIPTION OF CHANGE | MOD. BY |
| A | - | ORIGINAL ISSUE | - |
| | | | DATE |
| | | | 09 MAR 2020 |

| Ref. No. | Part No. | Part Description | Qty |
|----------|---|--|-----|
| | DRAWING SHEET 5: HANDLE ASSEMBLY | | |
| 26 | 03-6096-0000 | Handle Adjusting Gear1 | 1 |
| 27 | 03-7831-0000 | Aluminium Knuckle1 | 1 |
| 28 | 03-6097-0000 | Handle Adjusting Gear Dog1 | 1 |
| 29 | 02-3511-0000 | Gear Dog Spring1 | 1 |
| 30 | 03-8228-0000 | TON 1 | 1 |
| 31 | 03-6091-0000 | Handle Rubber Boot2 | 2 |
| 32 | 03-6087-0067 | Handle Case Rear RAL90051 | 1 |
| 33 | 03-7917-0067 | Solution Trigger Blanking Plate RAL90051 | 1 |
| 34 | 03-6693-0067 | Handle Socket Blanking Plate RAL90051 | 1 |
| 35 | 03-6090-0067 | Trigger Left & Right RAL90052 | 2 |
| 36 | 03-6089-0067 | Gear Lever RAL90051 | 1 |
| 37 | 03-6092-0067 | Interlock RAL90052 | 2 |
| 38 | 02-3517-0000 | Self Tapper2 | 2 |
| 39 | 04-4024-0000 | Switch1 | 1 |
| 40 | 03-6086-0067 | Handle Case Front RAL90051 | 1 |
| 41 | 02-3516-0000 | Self Tapper11 | 11 |
| 42 | 23.0044.00 | Nut M 6 A2 DIN 9822 | 2 |
| 43 | 24.0168.00 | Operator Panel1 | 1 |
| | | | |
| 44 | 95.0018.00 | PUSH BUTTON KIT CONSISTING OF: | 1 |
| | | Push Button (3 per kit) | |
| | | Push Button Cover (3 per kit) | |
| | | | |
| 45 | 33.0128.00 | Adjusting Gear Rod1 | 1 |
| 46 | 23.0009.00 | Washer D8 A2 DIN 125A1 | 1 |
| 47 | 23.0047.00 | Screw M8X16 A2 DIN 9331 | 1 |
| 48 | 12-109 | Cable Restraint1 | 1 |
| 49 | 12-118 | Cable Strain Relief1 | 1 |
| 50 | 23.0043.00 | Washer D.5X15 A2 DIN9021N1 | 1 |
| 51 | 23.0041.00 | Nut M 5 A2 DIN 9821 | 1 |
| 52 | 00-0655-0011 | Screw Pan Head M6x552 | 2 |
| 53 | 34.0240.00 | Battery Level Indicator1 | 1 |
| 54 | 13-922 | Screw M 4,5X20 1 | 1 |
| 55 | 34.0237.00 | Power cord from handle to main board1 | 1 |
| 56 | 34.0226.00 | Power cord from brush switch to handle power cord1 | 1 |



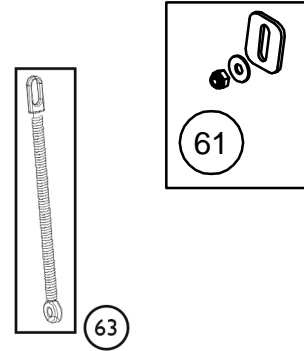
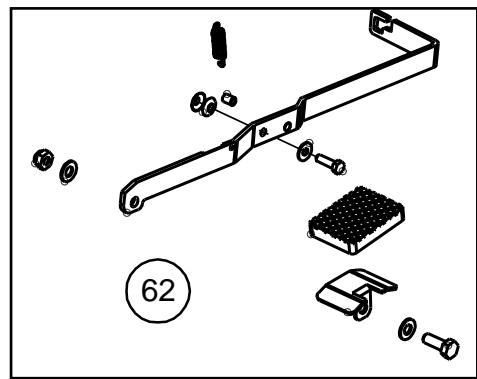
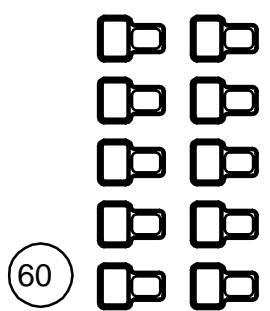
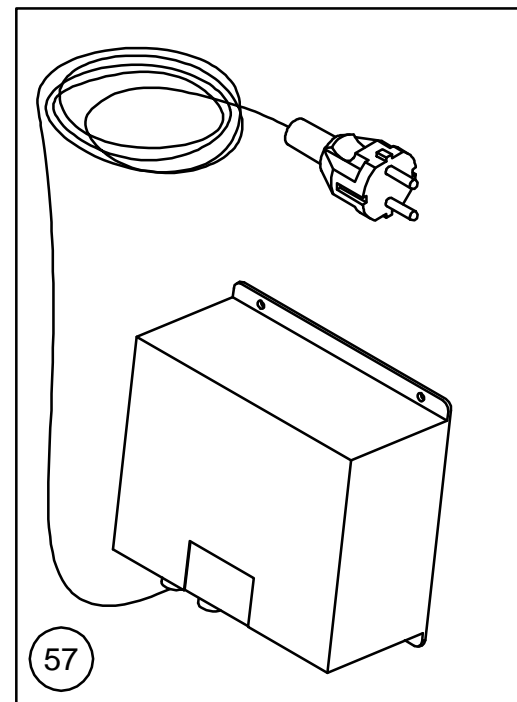
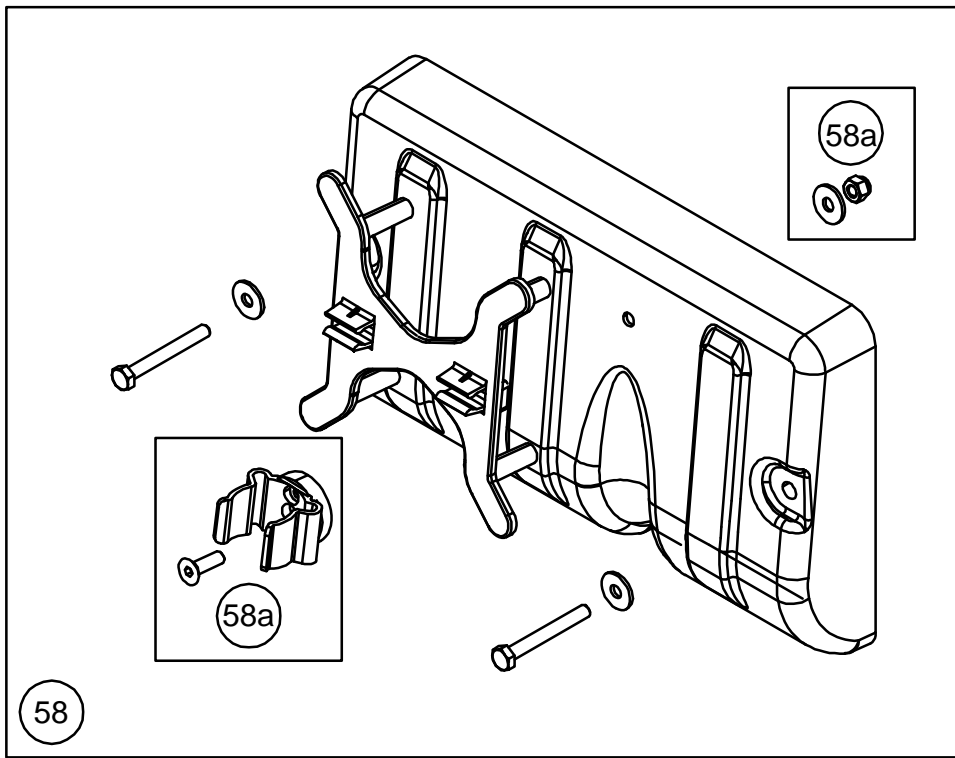
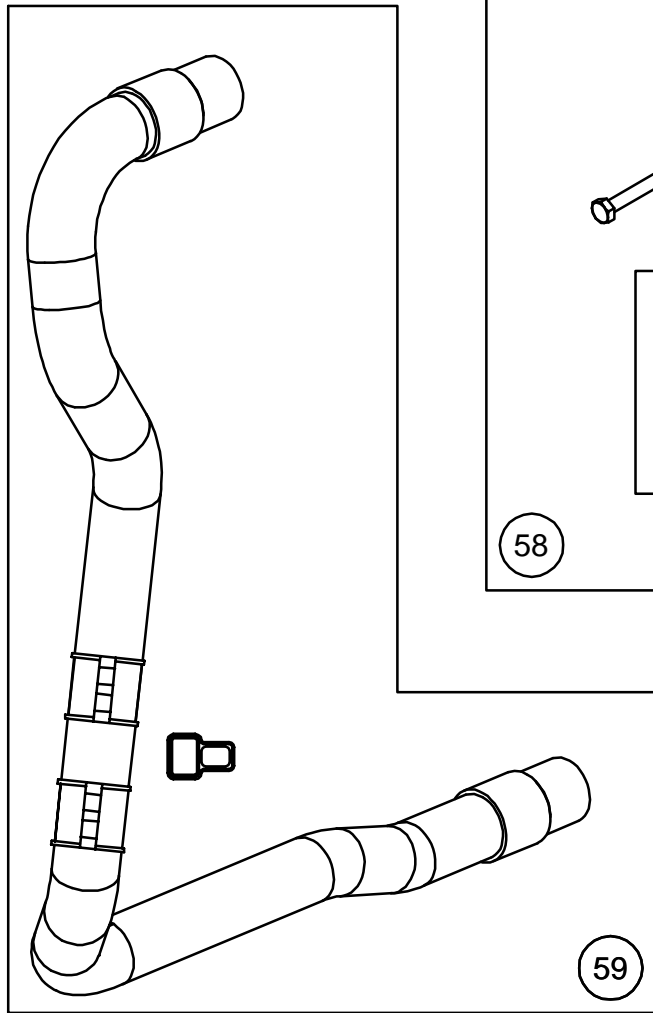
Tacony CFC

ORBIS BATTERY SCRUBBER DRIER

DRAWING NO: 09-1125-0000 SHEET 5 - HANDLE ASSEMBLY

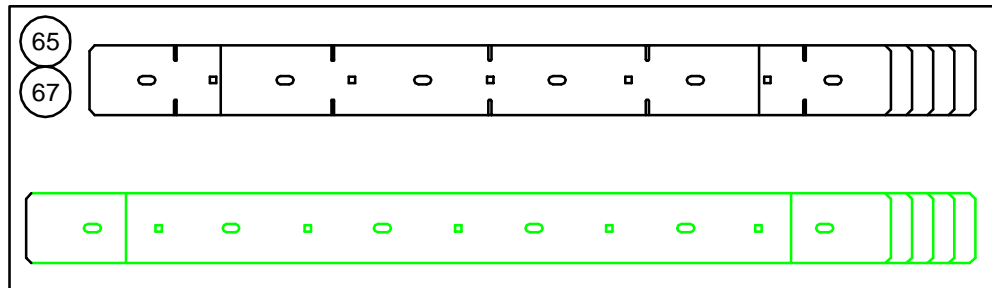
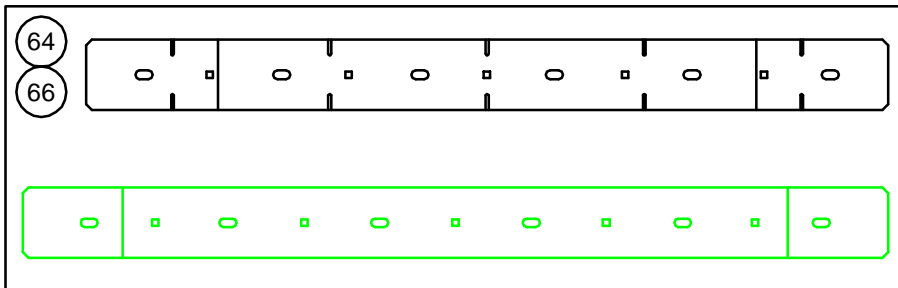
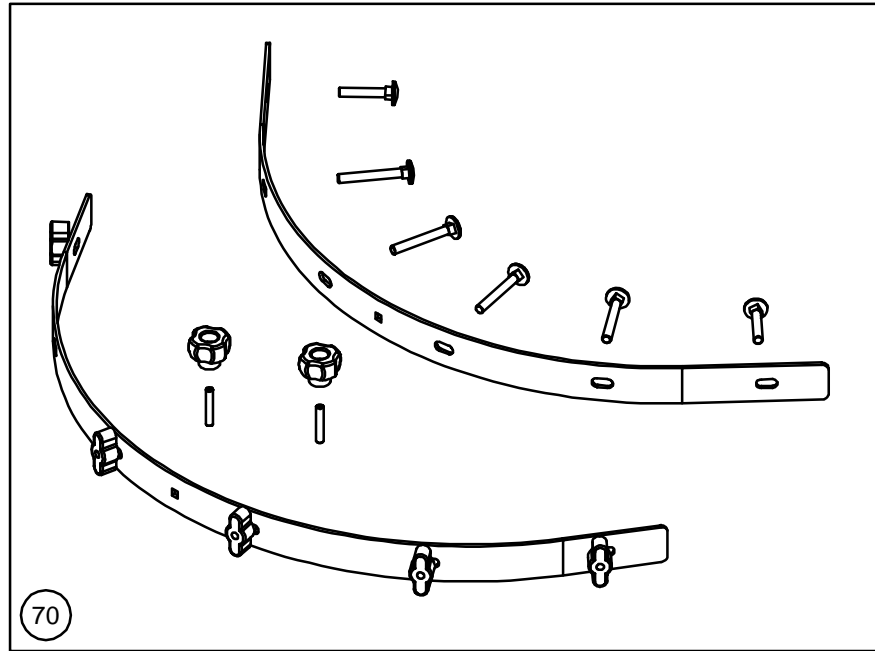
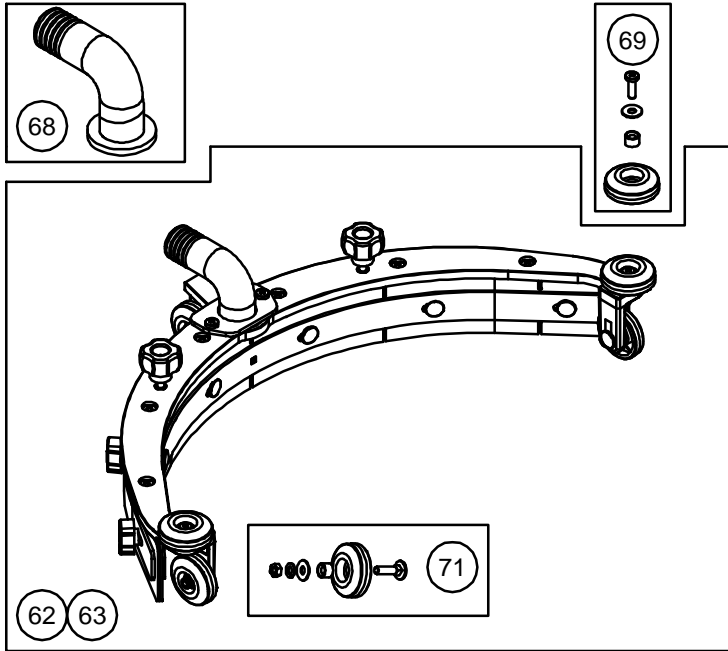
| | | | |
|------------------|------------------|-----------------------|------------|
| MACHINE: | OBS38130 | | |
| REF. PARTS LIST: | OBS38130 ISSUE 1 | | |
| SERIES: | B | | |
| REVISION | ECN # | DESCRIPTION OF CHANGE | MOD. BY |
| A | - | ORIGINAL ISSUE | - |
| | | | DATE |
| | | | 27 SEPT 10 |

| Ref. No. | Part No. | Part Description | Qty |
|--|--------------|--|-----|
| DRAWING SHEET 6: CHARGER, REAR COVER AND PEDAL ASSEMBLY | | | |
| 57 | 18.0051.00 | UK only: Gel Battery Charger 24V 4.5Ah UK plug | 1 |
| 57 | 04-3952-0000 | Euro only: Gel Battery Charger 24V 4.5Ah Euro plug | 1 |
| 57 | 04-3959-0000 | Aus only: Gel Battery Charger 24V 4.5Ah OZ plug | 1 |
| 58 | 95.0099.00 | REAR COVER ASSEMBLY CONSISTING OF: | 1 |
| | | Rear cover with cable hook (1 per kit) | |
| | | Screw M 6X50 A2 DIN 933 (2 per kit) | |
| 58a | 95.0047.00 | VACUUM HOSE CLIP KIT CONSISTING OF: | 1 |
| | | Vacuum Hose Clamp (1 per kit) | |
| | | Screw M 6X20 A2 DIN 7991 (1 per kit) | |
| | | Washer D.6X18 A2 DIN9021N (1 per kit) | |
| | | Nut M 6 A2 DIN 982 (1 per kit) | |
| 59 | 95.0070.00 | VACUUM HOSE KIT CONSISTING OF: | 1 |
| | | Vacuum Hose D.25 L=1200 (1 per kit) | |
| | | Clamps (2 per kit) | |
| | | Vacuum Hose Elastic Tie (1 per kit) | |
| 60 | 95.0068.00 | VACUUM HOSE ELASTIC TIE KIT (10 per kit) | 1 |
| 61 | 95.0063.00 | CHARGER FIXING KIT CONSISTING OF: | 1 |
| | | Fixing Plate (1 per kit) | |
| | | Nut M 4 A2 DIN 982 (1 per kit) | |
| | | Washer D.4X12 A2 DIN9021N (1 per kit) | |
| 62 | 95.0104.00 | PEDAL ASSEMBLY CONSISTING OF: | 1 |
| | | SPRING | |
| | | PEDAL BEAT RUBBER | |
| | | CUP WHEEL | |
| | | SELF-LOCKING NUT M 8 A4 DIN 982 | |
| | | FLAT WASHER D 8 A2 DIN 125A | |
| | | WINNER TERGITOR LIFTING | |
| | | PEDAL COVER | |
| | | PEDAL COVER SUPPORT | |
| | | HEXAGONAL HEAD SCREW M 8X20 A2 DIN 933 | |
| | | TE SCREW M 6X20 A2 DIN 933 | |
| | | OVERSIZED PLATE WASHER D.6X18 A2 DIN 9021N | |
| 63 | 37.0017.00 | LIFTING CABLE WITH SPRING | 1 |



| | | | | |
|---|-------------------|------------------------------|---------|-------------|
| Tacony CFC | | ORBIS BATTERY SCRUBBER DRIER | | |
| DRAWING NO: 09-1125-0000 SHEET 6- CHARGER AND REAR COVER ASSEMBLY | | | | |
| MACHINE: | OBS38130 | | | |
| REF. PARTS LIST: | OBS38130 ISSUE 10 | | | |
| SERIES: | B | | | |
| REVISION | ECN # | DESCRIPTION OF CHANGE | MOD. BY | DATE |
| B | - | ORIGINAL ISSUE | - | 13 SEP 2018 |

| Ref. No. | Part No. | Part Description | Qty |
|---|------------|---|-----|
| DRAWING SHEET 7: SUCTION BEAM ASSEMBLY | | | |
| 62 | 22.0134.01 | COMPLETE SQUEEGEE ASSEMBLY WITH PARA BLADES | 1 |
| 63 | 22.0134.00 | COMPLETE SQUEEGEE ASSEMBLY WITH ANTI-OIL BLADES | 1 |
| 64 | 95.0048.00 | SQUEEGEE FRONT & REAR BLADES PARA (PAIR) CONSISTING OF: Front Squeegee Blade PARA (1 per kit) Rear Squeegee Blade PARA (1 per kit) | 1 |
| 65 | 95.0049.00 | SQUEEGEE FRONT & REAR BLADES PARA (5 PAIRS) CONSISTING OF: Front Squeegee Blade PARA (5 per kit) Rear Squeegee Blade PARA (5 per kit) | 1 |
| 66 | 95.0050.00 | SQUEEGEE FRONT & REAR BLADES ANTI-OIL (1 PAIR) CONSISTING OF: Front Squeegee Blade Anti-Oil (1 per kit) Rear Squeegee Blade Anti-Oil (1 per kit) | 1 |
| 67 | 95.0051.00 | SQUEEGEE FRONT & REAR BLADES ANTI-OIL (5 PAIRS) CONSISTING OF: Front Squeegee Blade Anti-Oil (5 per kit) Rear Squeegee Blade Anti-Oil (5 per kit) | 1 |
| 68 | 30.0098.00 | ELBOW CONNECTOR 1,1/4" DN 251 | 1 |
| 69 | 95.0052.00 | BUMPER WHEEL ASSEMBLY CONSISTING OF: Washer D.5X15 A2 DIN9021N (2 per kit) Wheel (2 per kit) Spacer (2 per kit) Screw self tapper M5x16 (2 per kit) | 1 |
| 70 | 95.0053.00 | SQUEEGEE RETAINER KIT CONSISTING OF: Front retainer (1 per kit) Screw M 5X30 A2 DIN 603 (2 per kit) Screw M 5X40 A2 DIN 603 (4 per kit) Squeegee Blade Retainer Fastener (6 per kit) Rear Retainer (1 per kit) Squeegee Blade Assembly Fastener (2 per kit) Screw M5X30 A2 DIN 913 (2 per kit) | 1 |
| 71 | 95.0054.00 | SQUEEGEE BLADE WHEELS CONSISTING OF: Washer D.5X15 A2 DIN9021N (3 per kit) Wheel (3 per kit) Spacer (3 per kit) Screw M 5X20 A2 DIN 603 (3 per kit) Nut M5 UNI5588 A2 (3 per kit) | 1 |



| | | | | |
|--|------------------|------------------------------|---------|------------|
| Tacony CFC | | ORBIS BATTERY SCRUBBER DRIER | | |
| DRAWING NO: 09-1125-0000 SHEET 7 - SUCTION BEAM ASSEMBLY | | | | |
| MACHINE: | OBS38130 | | | |
| REF. PARTS LIST: | OBS38130 ISSUE 1 | | | |
| SERIES: | B | | | |
| REVISION | ECN # | DESCRIPTION OF CHANGE | MOD. BY | DATE |
| A | - | ORIGINAL ISSUE | - | 27 SEPT 10 |

| | I | GB |
|-----|-----------------------------|---------------------------|
| A1 | SCHEDA ELETTRONICA | MAIN BOARD |
| BAT | BATTERIA 2x12V | BATTERY 2x12V |
| U1 | CARICA BATTERIE 5A | BATTERY CHARGER 5A |
| Y1 | ELETTROVALVOLA | ELECTROVALVE |
| F1 | FUSIBILE 30A (GENERALE) | MAIN FUSE 30A |
| M1 | MOTORE ASPIRAZIONE | VACUUM MOTOR |
| M2 | MOTORE SPAZZOLA | BRUSH MOTOR |
| P1 | INTERRUTTORE ON/OFF | ON/OFF INTERRUPTOR |
| P2 | PULSANTE SPAZZOLA | BRUSH START BUTTON |
| P3 | INTERRUTTORE ASPIRAZIONE | VACUUM INTERRUPTOR |
| P4 | INTERRUTTORE ELETTROVALVOLA | ELECTROVALVE INTERRUPTOR |
| R1 | INDICATORE SCARICA | BATTERY LEVEL INDICATOR |
| CN1 | CONNETTORE MANIGLIONE | HANDLE CONNECTOR |
| CN2 | CONNETTORE CARICABATTERIE | BATTERY CHARGER CONNECTOR |

