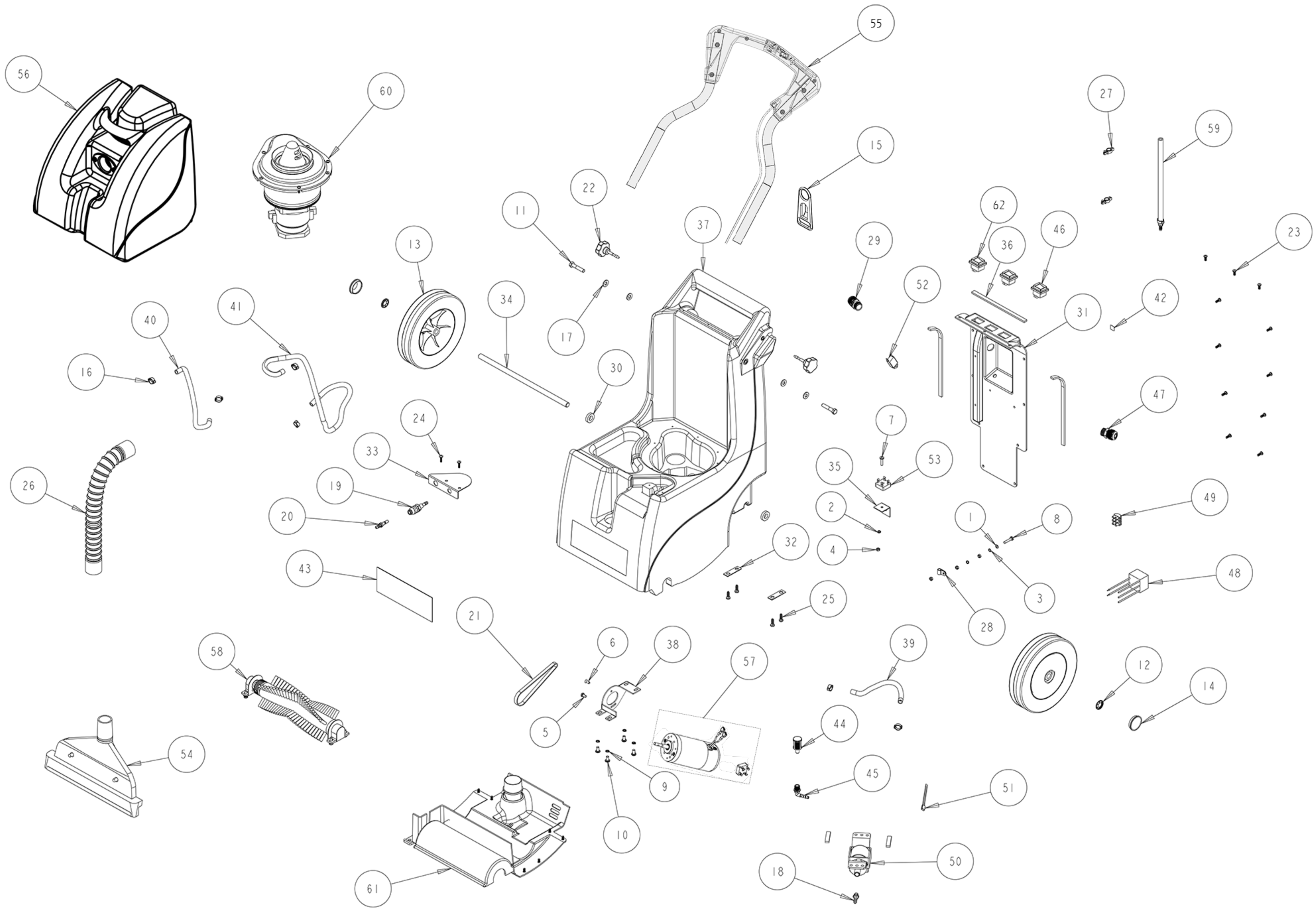


Tacony CFC		Hydromist Compact Parts List	
Part Number:	HC250		
Series:	D		
Date:	23-08-2022		
Reference Drawing Number:	HC250 250V 50Hz		
Reference Drawing Issue:	4		
Modified By:	J Clarke		
Service Parts List Issue:	2	ECN #	
Description of Change:	adjustment to screw lengths brush assembly	-	

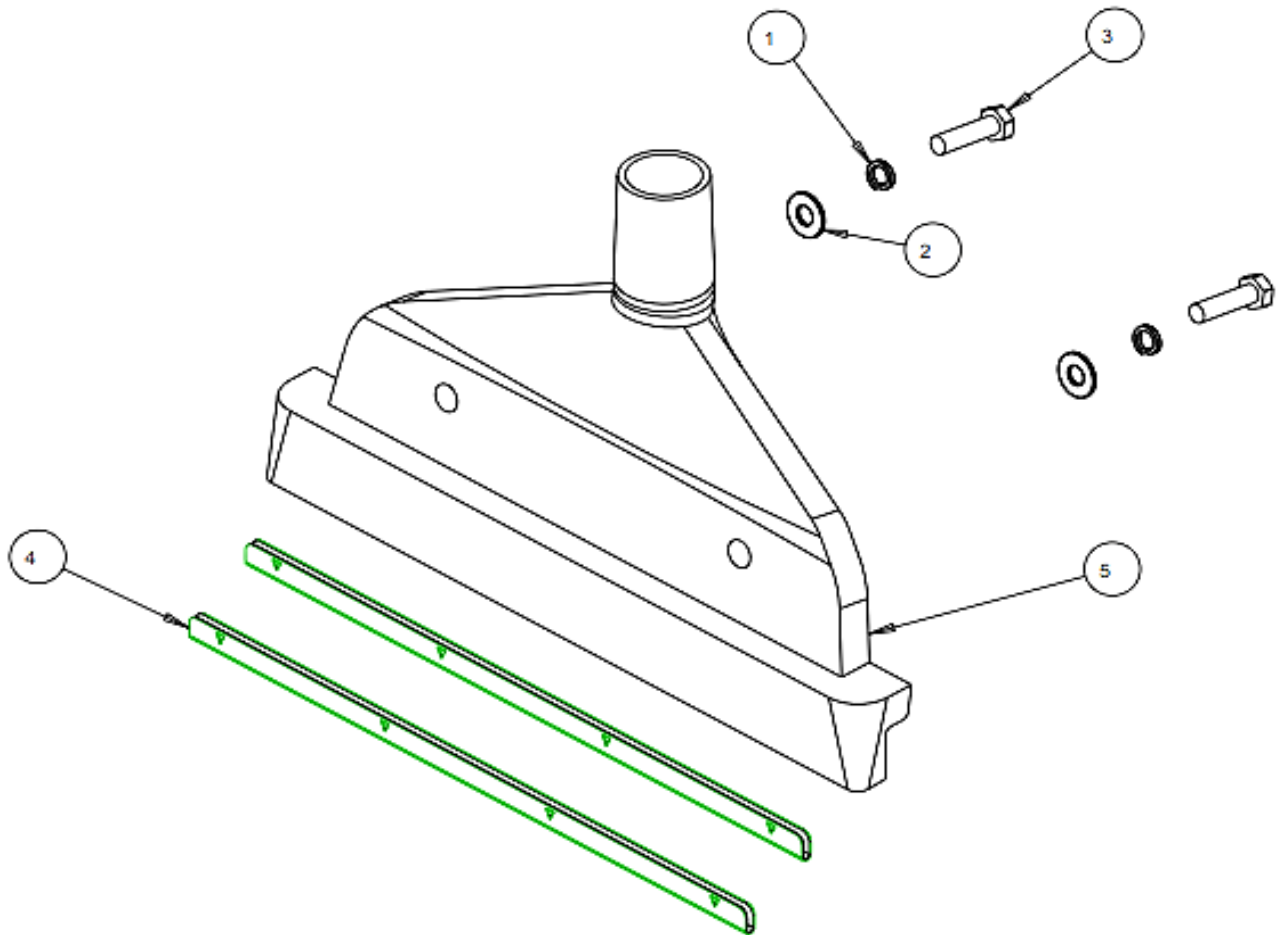
Ref. No.	Part No.	Part Description	Qty
1	00-0500-0501	M5 Washer Form A Z/P	1
2	00-0500-0511	M5 Single Coiled Spring Washer	2
3	00-0500-0521	M5 Internal Shakeproof	1
4	00-0500-0701	M5 Full Nut Z / P	4
5	00-0510-0011	M5X10Mm Pozi Pan Head Screw	1
6	00-0510-0031	M5X10 Countersunk Screw	1
7	00-0520-0011	M5X20 Pozi Pan Head Screw Zinc BZP	1
8	00-0525-0011	M5X25 Pozi Pan Head Screw Zinc BZP	1
9	00-0600-0513	M6 Single Coil Washer Stainless Steel	4
10	00-0612-0013	M6X12 Pozi Pan Head	4
11	00-0835-0125	M8x35 HT 8.8 Hex Bolt DIN931 Chemi-Blk	2
12	02-0254-0000	Starlock Washer	2
13	02-3121-0000	Wheel 8In	2
14	02-3124-0000	Wheel Cap - Black	2
15	02-3152-0000	Cable Strain Relief Bracket Black	1
16	02-3381-0500	Hose Clip	6
17	02-3417-0000	HC250 Handle Spacer	2
18	02-3443-0000	1/8In Male Barb Connector Taper & O Ring	1
19	02-3445-0000	HC250 Metal Bulkhead Coupling	1
20	02-3449-0000	Male Coupling Connector	1
21	02-3455-0000	HC250 Drive Belt	1
22	02-3460-0000	Handle Lock Knob	2
23	02-3465-0000	Roto Small Taper	11
24	02-3466-0000	WN1413KN50 x 16 Screw S/Tap	2
25	02-3467-0000	KB60 x 18 Pozi Pan PT Screw Z/P	4
26	02-3468-0000	HC250 Vac Pick Up Hose	1
27	02-3478-0000	Hose Clip	2
28	02-3708-0000	P Clip	1
29	02-4622-0000	Cable Gland	1
30	03-5736-0000	Wheel Axle Spacer	2
31	03-5987-0500	Hc250 Rear Electrical Panel (Printed)	1

32	03-5991-0000	Axle Retaining Plate	2
33	03-5992-0000	HC250 Fluid Coupling Bracket - Hc250	1
34	03-6000-0500	HC250 Axle	1
35	03-6001-0000	Rectifier Heat Sink	1
36	03-6009-0000	Gasket Strip	1
37	03-6013-0067	HC250 Solution Tank	1
38	03-6038-0000	HC250 Motor Mounting Bracket	1
39	03-6041-0000	Pump Feed Hose	1
40	03-6043-0000	Pump Outlet Hose	1
41	03-6044-0000	Sprayjet Hose	1
42	03-6185-0000	Earth Point Label	1
43	03-6668-0000	Hydromist Compact Label	1
44	03-8302-0000	Hc250 Solution Tank Filter	1
45	03-8323-0000	1/4" Bsp Metal Elbow	1
46	04-3207-0000	Rocker Switch with Cover	2
47	04-3212-0000	Cable Gland	1
48	04-3221-0000	HC250 Suppressor	1
49	04-3332-0000	Terminal Block	1
50	04-3393-0000	Pump with Mounts	1
51	04-3396-0000	Thermal Overload	1
52	04-3397-0000	0.7 Amp Cutout	1
53	04-3409-0000	25 Amp Bridge Rectifier	1
54	05-3417-0000	Pick Up Assembly	1
55	05-4780-0000	Handle Assy	1
56	05-3421-0035	Recovery Tank Assembly	1
57	05-3422-0500	Brush Motor Assembly	1
58	05-3423-0000	Brush Drive Assy	1
59	05-3427-0000	Drain Hose Assembly	1
60	05-3497-0000	HC250 Vac Motor Assembly	1
61	05-3728-0000	HC250 Bottom Cover Kit	1
62	04-4036-0000	Rocker Switch with Cover (spray)	1
Not Shown	04-3310-0000	Power Cord UK - 13 Amp with plug	1
Not shown	04-3055-0153	Power Cord Euro	1
Not Shown	05-3408-0000	See Wk11 Cc250 W/Kit 115V Trirated S/Core & Csa/UI 5 Core	1



Tacony CFC		Hydromist Compact	
Part Number:	HC250		
Date:	04-May-21	Sheet no.	1 / 1
Drawing Number:	HC250 250V 50Hz	DESCRIPTION OF CHANGE	ECN #
Drawing Issue:	2		
Modified By:	J Clarke		

ITEM	PART NO.	DESCRIPTION	QTY
1	00-0800-0513	M8 SINGLE COIL SPRING WASHER ST/ST	2
2	00-0800-0553	M8 WASHER ST/STL	2
3	00-0830-0113	M8 x30 HEX HD BOLT ST/ST	2
4	03-5998-0000	HC250 PICK UP STRIP	2
5	03-6015-0000	HC250 PICK UP SHOE	1



Tacony CFC

Hydromist Compact Parts List

Part Number:

05-3417-0000

Date: 23-Aug-22

Sheet no.

Drawing Number: HC250 250V 50Hz

1 / 1

Drawing Issue: I

DESCRIPTION OF CHANGE

ECN #

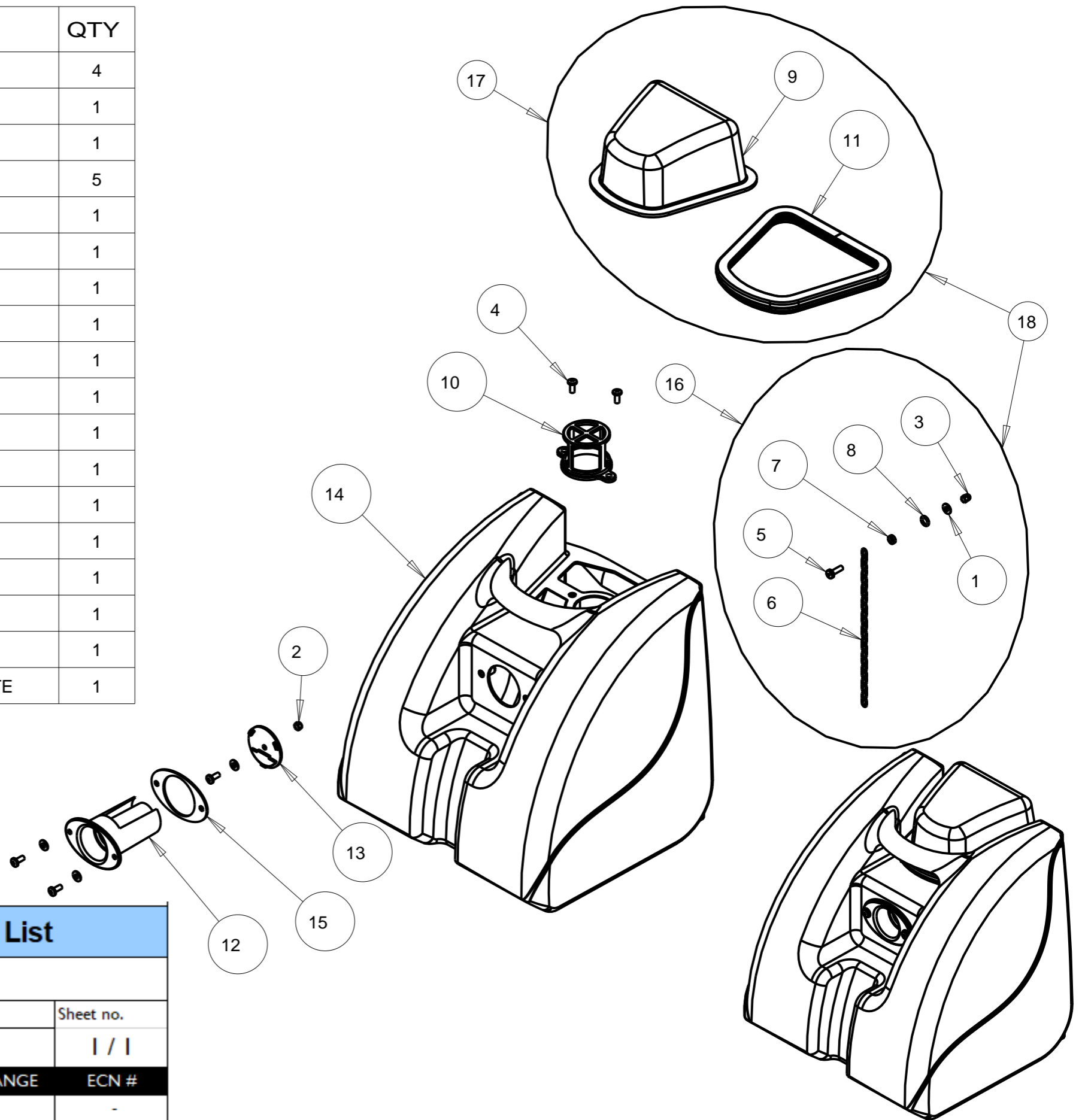
Modified By: J Clarke

-

-

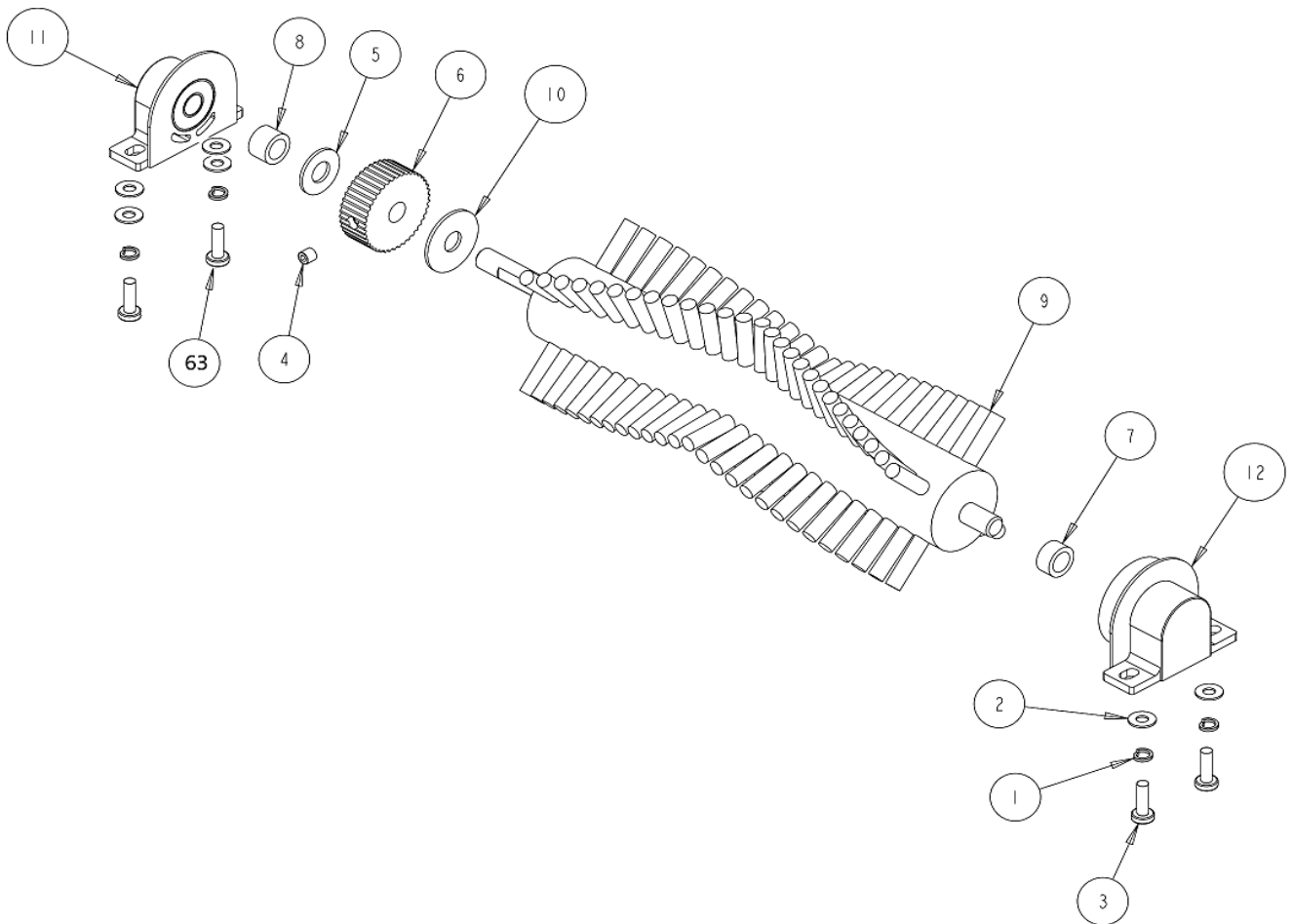
PART NO.
05-3421-0035

ITEM	PART No.	PART DESCRIPTION	QTY
1	00-0500-0553	M5 HEAVY WASHER FORM A ST/ST	4
2	00-0500-0723	M5 NYLOC NUT ST/ST	1
3	00-0500-0763	M5 DOME NUT S/S	1
4	00-0512-0013	M5 X 12 POZI PAN HEAD SCREW ST ST	5
5	00-0516-0013	M5 x 16mm POZI PAN HD SCREW ST/ST	1
6	02-3525-0000_265	CHAIN 1.6 mm x 18mm STEEL - 265mm LONG	1
7	02-3527-0000	SPACER 9.5mm DIA x 3mm	1
8	02-3778-0000	O RING	1
9	03-5989-0000	VACUUM LID	1
10	03-8301-0000	HC250 RECOVERY TANK FILTER	1
11	03-8325-0000	HC250 VACUUM LID SEAL	1
12	03-8338-0000	HC250 AIR INLET BAFFLE	1
13	03-8339-0000	HC250 AIR INLET CAP	1
14	03-8342-0035	HC250 RECOVERY TANK - MALISH	1
15	03-8399-0000	HC250 AIR INLET GASKET	1
16	05-3519-0000	LID CHAIN ASSEMBLY	1
17	05-3717-0000	RECOVERY TANK LID ASSEMBLY	1
18	05-3793-0000	RECOVERY TANK LID ASSEMBLY - COMPLETE	1



Tacony CFC		Hydromist Compact Parts List	
Part Number:		05-3421-0035	
Date:	04-May-21	Sheet no.	
Drawing Number:	HC250 250V 50Hz	1 / 1	
Drawing Issue:	3	DESCRIPTION OF CHANGE	ECN #
Modified By:	J Clarke	-	-

ITEM	PART NO.	DESCRIPTION	QTY
1	00-0500-0513	M5 SINGLE COIL SPRING WASHER ST/ST	4
2	00-0500-0533	M5 HEAVY WASHER FORM A ST/ST	4
3	00-0516-0013	M5 x 16MM POZI PAN HD SCREW ST/ST	4
4	00-0606-0171	GRUB SCREW M6 x 6 SOCKET HEAD	1
5	02-3433-0000	ADJUSTABLE ARM WHEEL SIDE SPACER	1
6	02-3453-0000	HC250 BRUSH PULLEY	1
7	02-3469-0000	NYLON SPACER	1
8	02-3496-0000	PULLEY END SPACER	1
9	03-5995-0000	HC250 BRUSH ASSEMBLY	1
10	03-6654-0000	HC250 BRUSH AXLE SPINNER	1
11	03-8298-0000	HC250 MOULDED BEARING HOUSING	1
12	03-8299-0000	HC250 MOULDED BEARING PROTECTOR	1
63	00-0516-0013	M5 x 16MM POZI PAN HD SCREW ST/ST	2



Tacony CFC

Hydromist Compact Parts List

Part Number:

05-3423-0000

Date: 23-Aug-22

Sheet no.

Drawing Number: HC250 250V 50Hz

1 / 1

Drawing Issue: 2

DESCRIPTION OF CHANGE

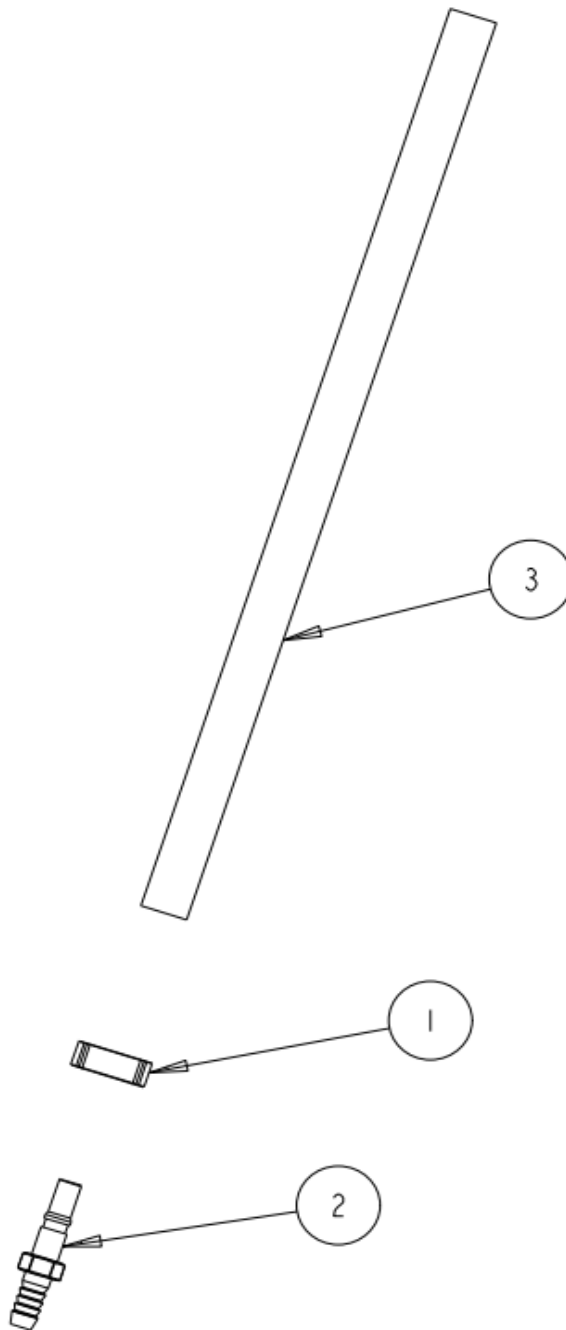
ECN #

Modified By: J Clarke

-

-

ITEM	PART NO.	DESCRIPTION	QTY
1	02-3381-0000	HOSE CLIP	1
2	02-3449-0000	MALE COUPLING CONNECTOR	1
3	03-6423-1000_260	DRAIN HOSE - 260MM	1



Tacony CFC

Hydromist Compact Parts List

Part Number:

05-3427-0000

Date: 23-Aug-22

Sheet no.

Drawing Number: HC250 250V 50Hz

1 / 1

Drawing Issue: 1

DESCRIPTION OF CHANGE

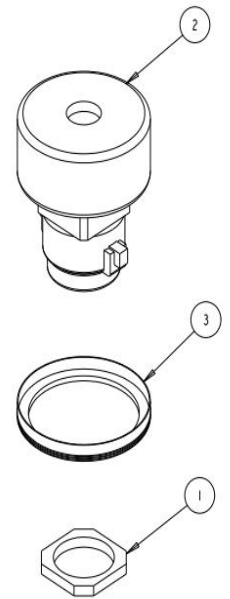
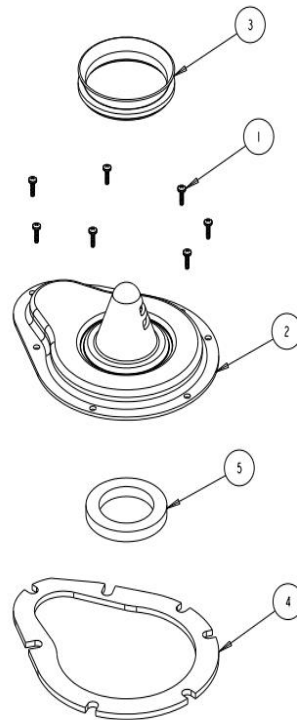
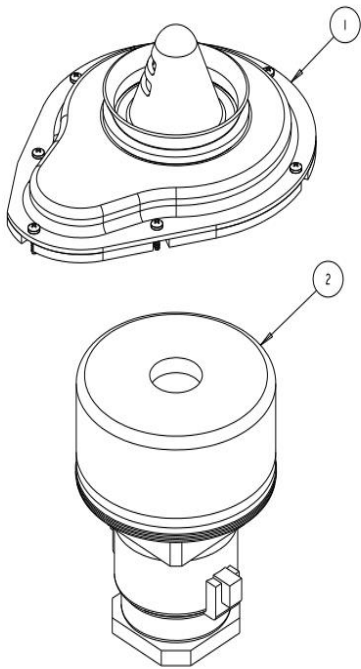
ECN #

Modified By: J Clarke

-

-

ITEM	PART NO.	DESCRIPTION	QTY
1	05-3418-0000	VAC MOTOR COVER ASSEMBLY	1
2	05-3502-0000	VAC MOTOR ASSEMBLY	1
1	02-3466-0000	WN1413KN50 x16 SCREW S/TAP	7
2	03-5988-0000	HC250 VAC MOTOR COVER	1
3	03-6053-0000	VACUUM LIP SEAL	1
4	03-6132-0000	VAC MOTOR COVER OUTER SEAL	1
5	03-6133-0000	HC250 VAC MOTOR COVER INNER SEAL	1
1	03-6692-0000	HC250 VAC MOTOR INNER SEAL	1
2	04-3389-0000	AMETEK VAC MOTOR	1
3	97-0148-0000	VAC MOTOR RUBBER SEAL	1



Tacony CFC

Hydromist Compact Parts List

Part Number:

05-3497-0000

Date: 23-Aug-22

Sheet no.

Drawing Number: HC250 250V 50Hz

1 / 1

Drawing Issue: I

DESCRIPTION OF CHANGE

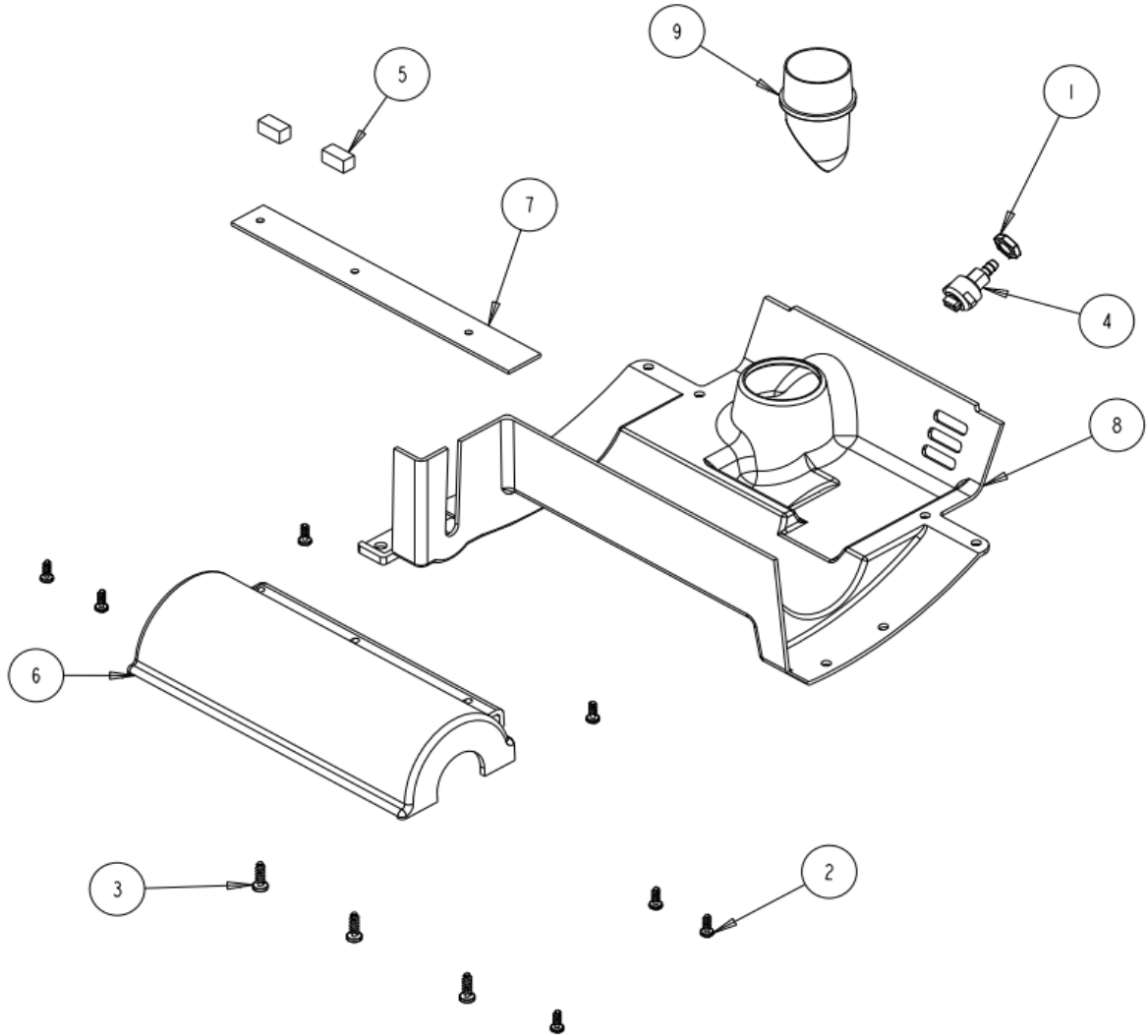
ECN #

Modified By: J Clarke

-

-

ITEM	PART NO.	DESCRIPTION	QTY
1	02-3452-0000	SPRAY NOZZLE RETAINING NUT	1
2	02-3465-0000	ROTO SMALL TAPPER	7
3	02-3467-0000	KB60 x 18 POZI PAN ST SCREW Z/P	3
4	02-3487-0000	SPRAY NOZZLE	1
5	03-6010-0000	NITRILE / PVC GASKET	2
6	03-6642-0000	HC250 BRUSH CAVITY GUARD	1
7	03-6653-0000	HC250 EDGE SEAL	1
8	03-6666-0000	HC250 MOULDED BOTTOM COVER	1
9	03-8300-0000	HC250 MOULDED EXHAUST PORT	1



Tacony CFC

Hydromist Compact Parts List

Part Number:

05-3728-0000

Date: 23-Aug-22

Sheet no.

Drawing Number: HC250 250V 50Hz

1 / 1

Drawing Issue: 1

DESCRIPTION OF CHANGE

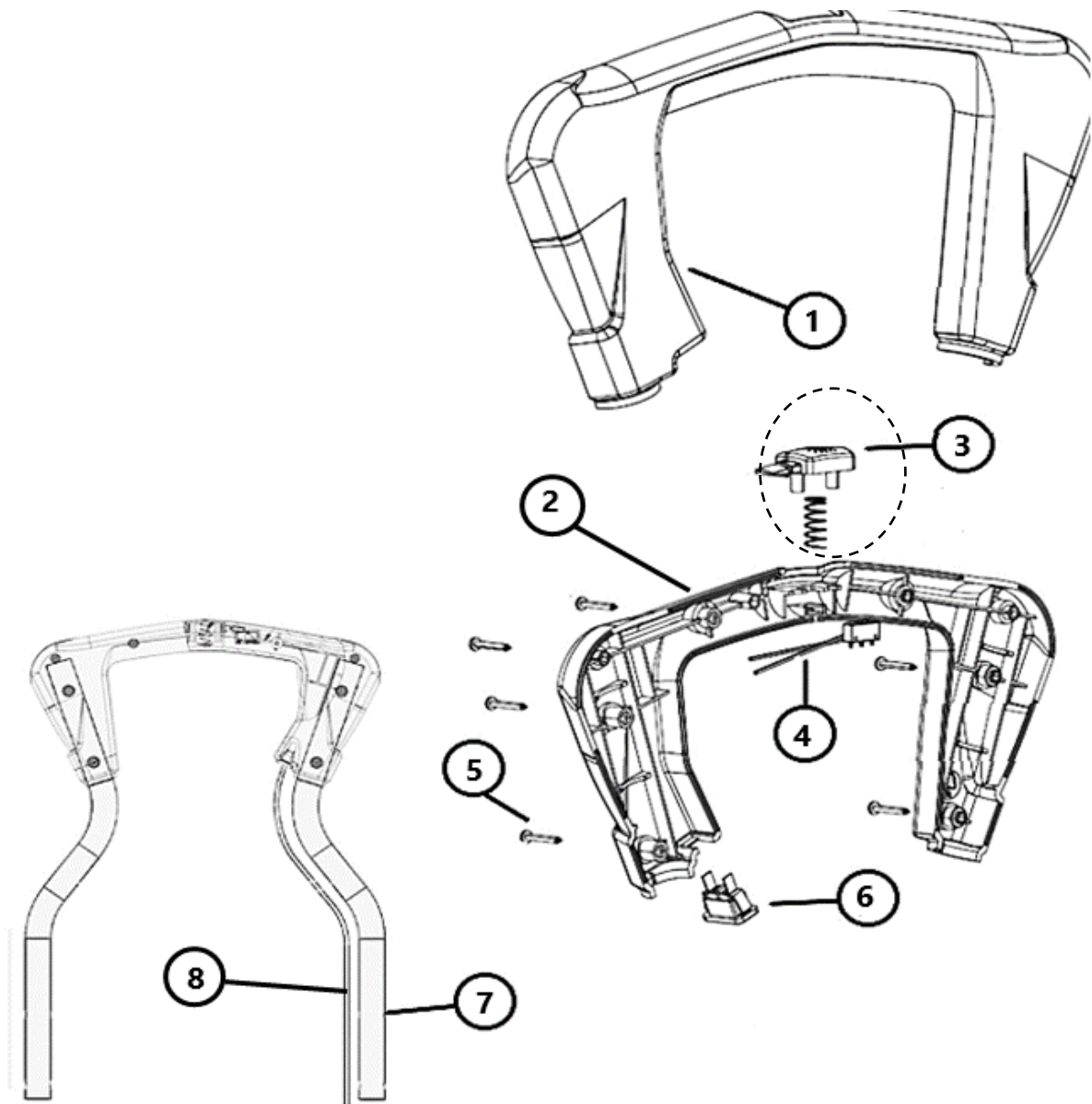
ECN #

Modified By: J Clarke

-

-

ITEM	PART NO.	DESCRIPTION	QTY
1	90-0882-0000	TOP HANDLE FRONT	1
2	90-0883-0000	TOP HANDLE REAR	1
3	90-0898-0000	LEVER BUTTON PUMP + SPRING WATER LEVER	1
4	90-0832-0000	SWITCH CABLE ASSY ca-06- (S4 TO X4)	1
5	90-0852-0000	CRPH SELF TAPPING SCREW - SS304 - 3.5 x 25	8
6	90-0829-0000	C8 CONNECTOR 2WAY	1
7	05-4776-0000	HANDLE TUBES	2
8	04-4039-0000	DROP LEAD	1



Tacony CFC

Hydromist Compact Parts List

Part Number:

05-4780-0000

Date: 23-Aug-22

Sheet no.

Drawing Number: HC250 250V 50Hz

1 / 1

Drawing Issue: I

DESCRIPTION OF CHANGI

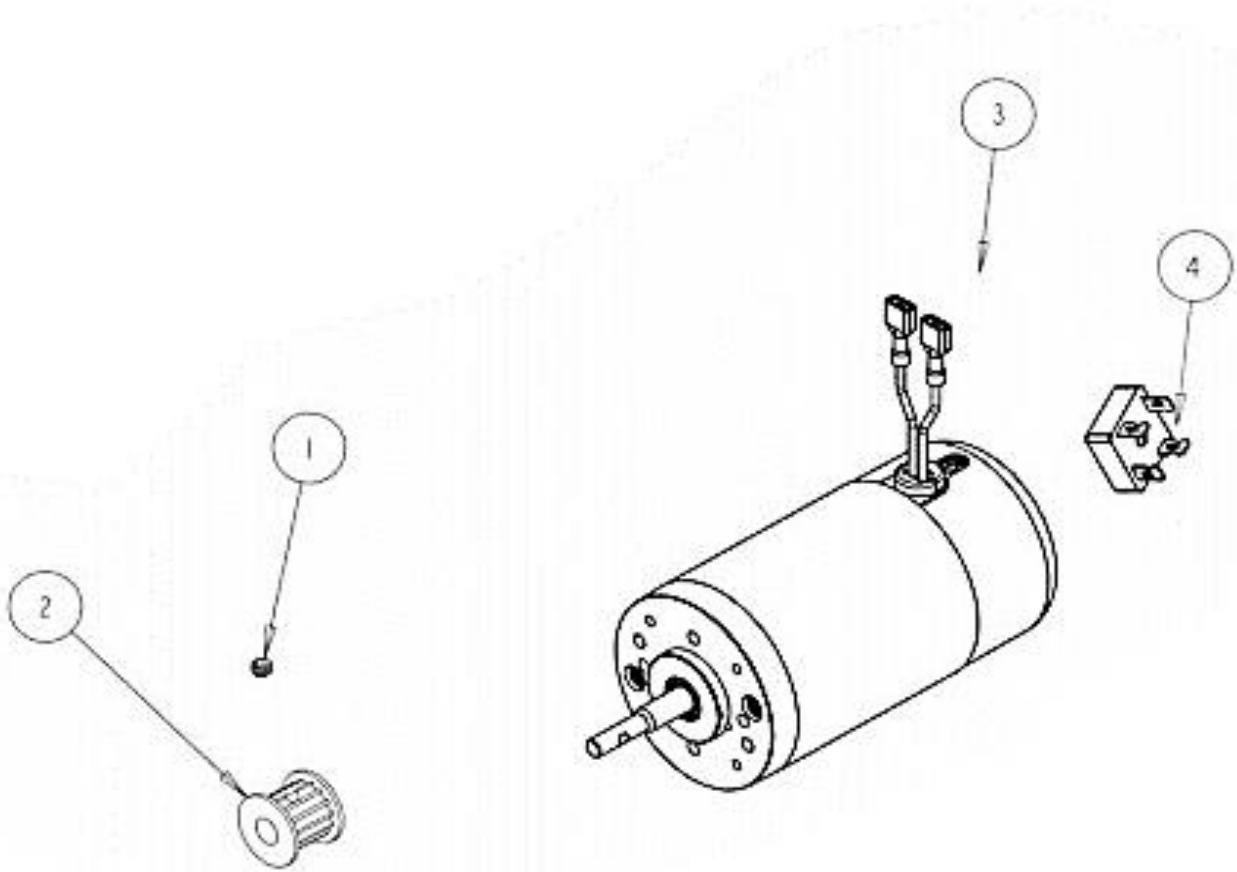
ECN #

Modified By: J Clarke

-

-

ITEM	PART NO.	DESCRIPTION	QTY
1	00-0403-0091	GRUB SCREW M4 x 3 ST/ST	1
2	02-3454-0000	HC250 MOTOR PULLEY	1
3	04-4022-0000	BRUSH MOTOR	1
4	04-3409-0000	RECTIFIER	1
5	02-3736-0000	ADHESIVE TAPE	30CM



Tacony CFC

Hydromist Compact Parts List

Part Number:

05-3422-0500

Date: 23-Aug-22

Sheet no.

Drawing Number: HC250 250V 50Hz

1 / 1

Drawing Issue: 1

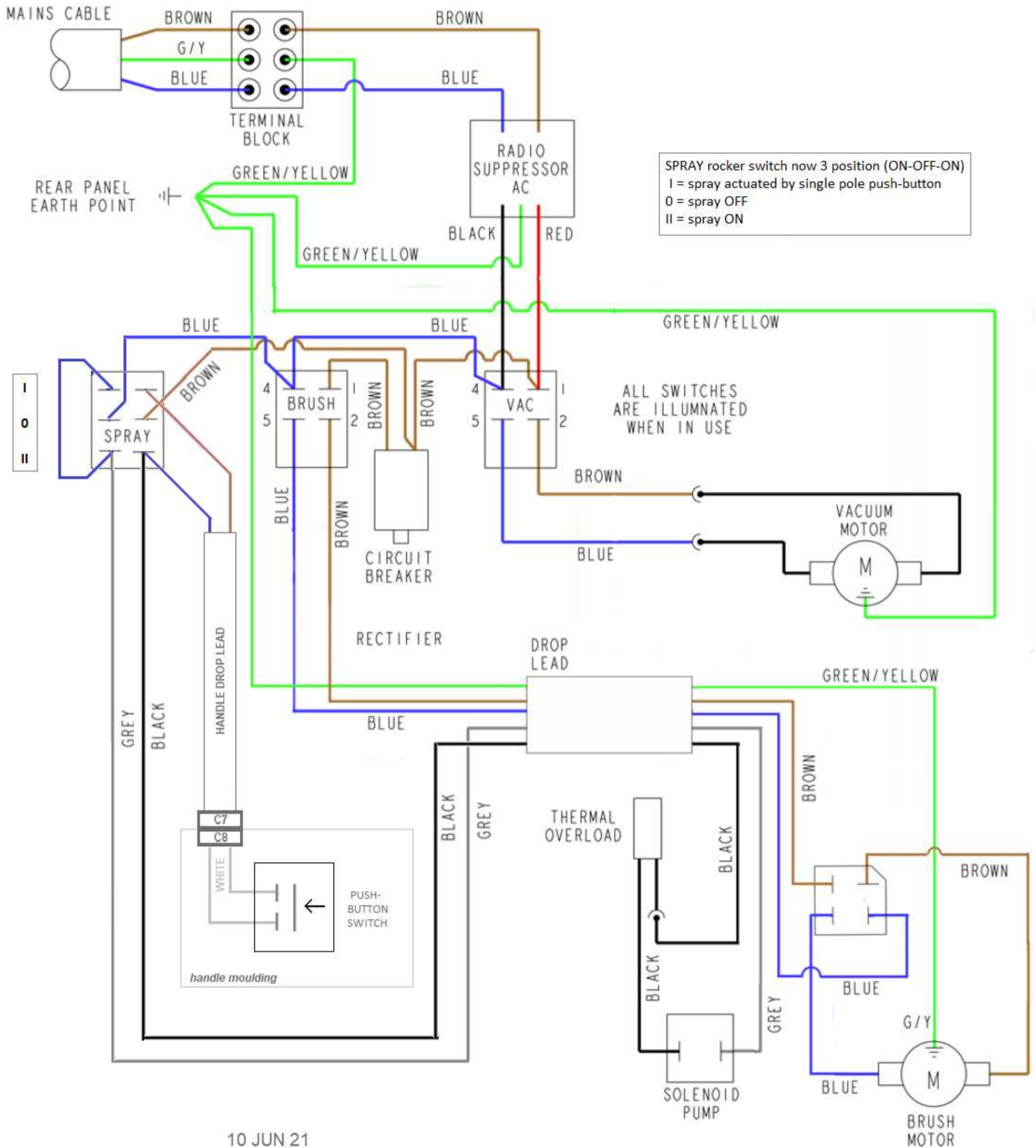
DESCRIPTION OF CHANGE

ECN #

Modified By: J Clarke

-

-



Tacony CFC

Hydromist Compact Parts List

Part Number:

09-1011-0000

Date: 04-May-21

Sheet no.

Drawing Number: HC250 250V 50Hz

I / I

Drawing Issue: 3

DESCRIPTION OF CHANGE

ECN #

Modified By: J Clarke

-

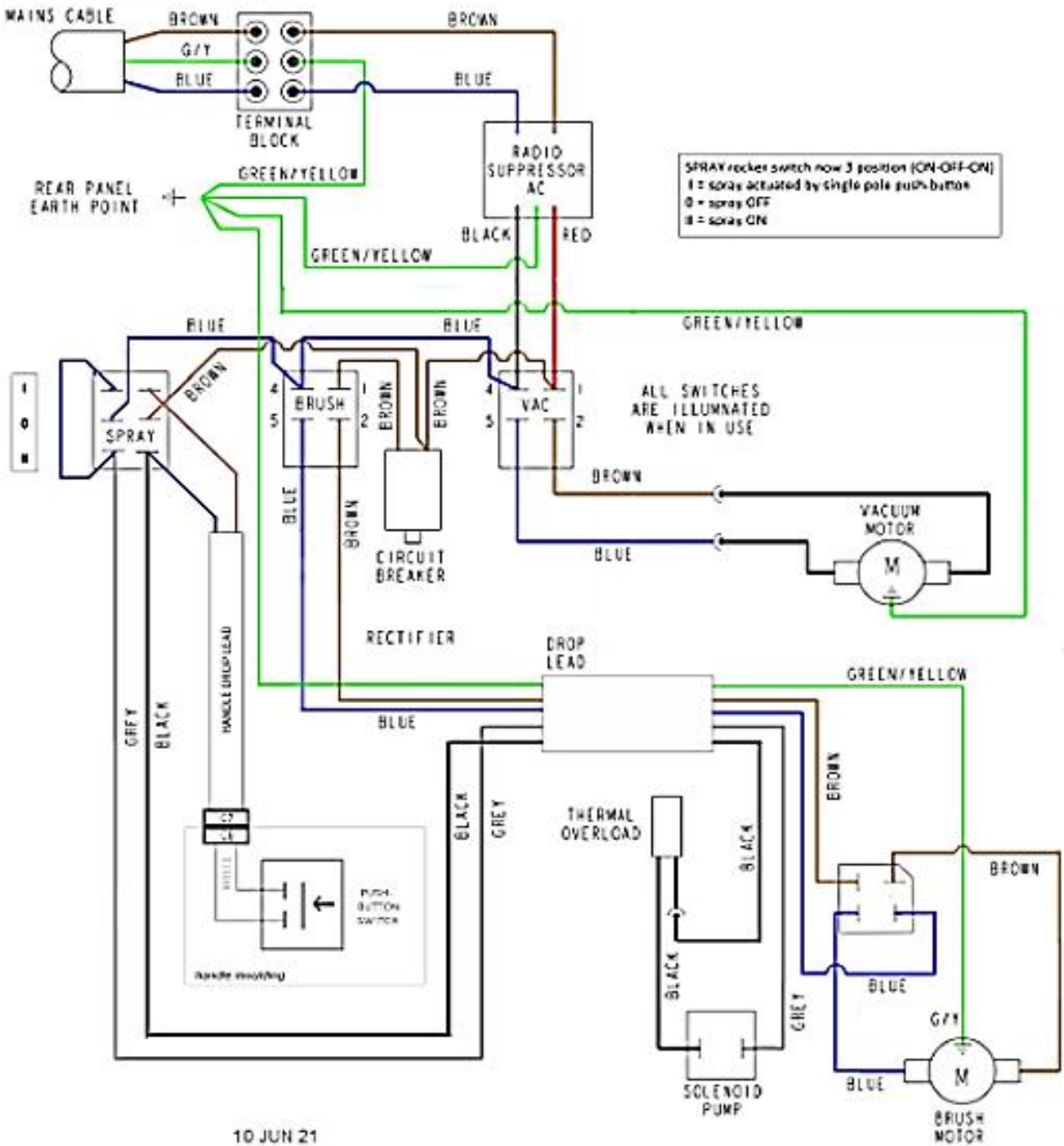
-

PART NO.
09-1011-0000

© COPYRIGHT
DO NOT SCALE DRAWING

DIMENSIONS IN MILLIMETRES
3RD ANGLE PROJECTION

A4



Tacony CFC

Hydromist Compact Parts List

Part Number:	09-1011-0000		
Date:	23-Aug-22	Sheet no.	
Drawing Number:	HC250 250V 50Hz	I / I	
Drawing Issue:	3	DESCRIPTION OF CHANGE	ECN #
Modified By:	J Clarke	-	-