

# Service Parts List (Kits)

Model Ref.:- VA55HD

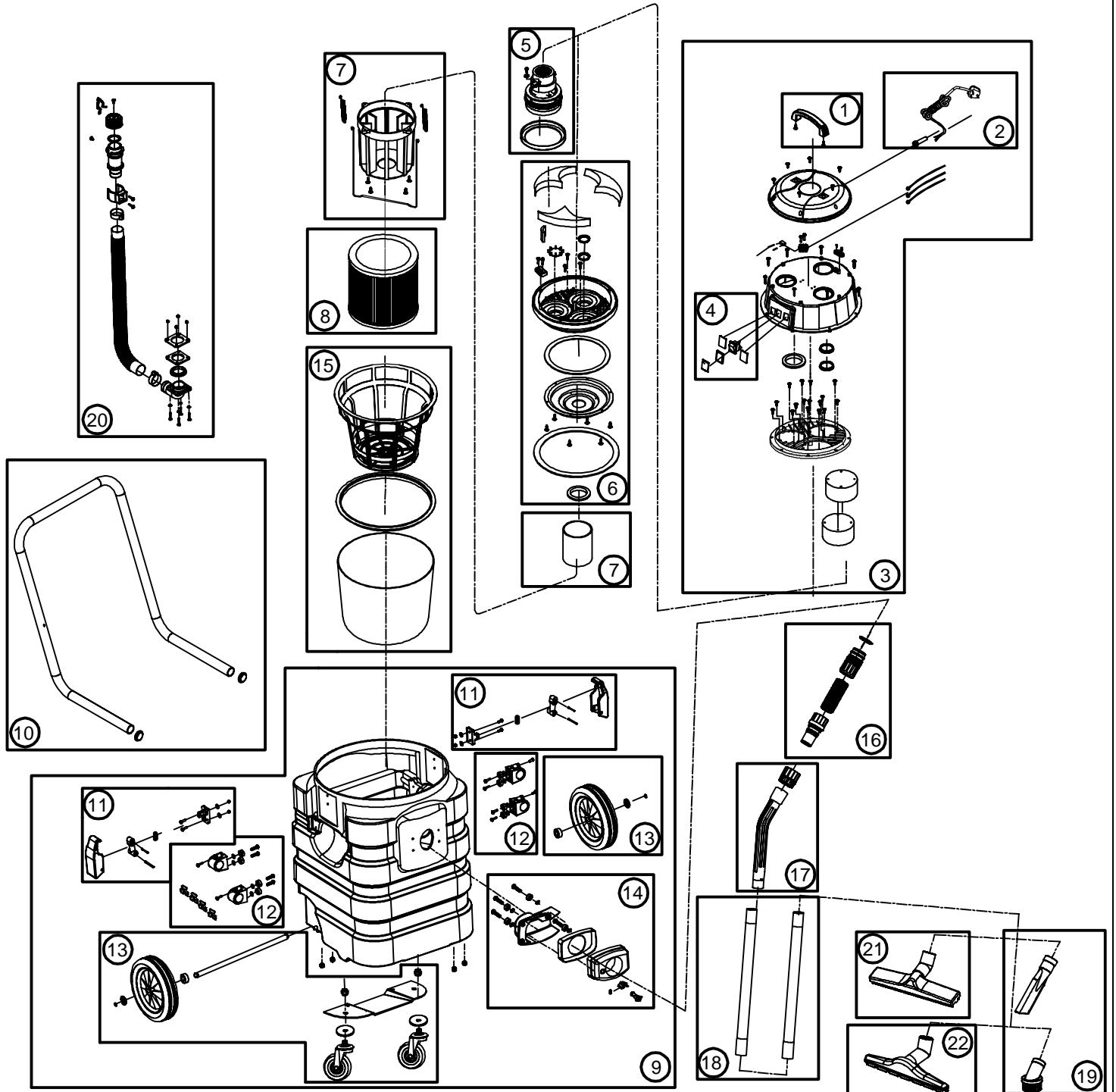
SERIES A

Service Parts List (Kits) Issue 1 Dated 21-February-2007

Ref. Drawing 09-1080-0000 Issue A Dated 21-February-2007

Drawing Ref.	Part Number	DESCRIPTION	Qty Per Kit
1	20-0040-0000	TOP COVER HANDLE ASSY	1
2a	20-0041-0000	UK POWER CORD ASSY	1
2b	20-0119-0000	AUSTRALIAN POWER CORD ASSY	1
2c	20-0124-0000	EURO POWER CORD ASSY	1
3	20-0042-0000	TOP COVER ASSY	1
4	20-0043-0000	POWER SWITCH ASSY	1
5	20-0044-0000	VAC MOTOR ASSY	1
6	20-0045-0000	MOTOR HOUSING ASSY	1
7	20-0046-0000	FLOAT AND FRAME ASSY	1
8	LQ-A150180W1	WASHABLE FILTER	1
9	20-0047-0000	TANK ASSY	1
10	20-0048-0000	TANK HANDLE ASSY	1
11	20-0049-0000	CLIP ASSY	2
12	20-0050-0000	TANK HANDLE SUPPORT ASSY	1
13	20-0051-0000	WHEEL AND CASTOR ASSY	1
14	20-0052-0000	SUCTION COUPLER ASSY	1
15	20-0053-0000	FILTER ASSY	1
16	20-0054-0000	HOSE ASSY	1
17	20-0055-0000	CONNECTOR ASSY	1
18	20-0056-0000	EXTENSION WAND ASSY	1
19	20-0057-0000	NOZZLE SET	1
20	20-0058-0000	DRAIN HOSE ASSY	1
21	20-0059-0000	BRUSH NOZZLE ASSY	1
22	20-0038-0000	SQUEEGEE NOZZLE ASSY	1

Truvox International Ltd.,  
 Third Avenue, Millbrook,  
 Southampton. Hampshire.  
 SO15 0LE.  
 Service & Spares: 023 80706601  
 Customer Services: 023 80706600  
 General Enquiries: 023 80702200



					SCALE	NTS	TITLE			
					CHECKED	M.D.C.	VALET AQUA 55 HEAVY DUTY GENERIC ASSEMBLY			
21.02.07		A	NEW DRAWING	MC	DRN	M.D.C.	PRODUCT	DRAWING/PART No	A4	SHEET 1 OF 1 SHEETS
DATE	CRO No	ISS	REVISION RECORD	DR	CHK		VALET AQUA	09-1080-0000		

PART NO.  
09-1137-0000

© COPYRIGHT

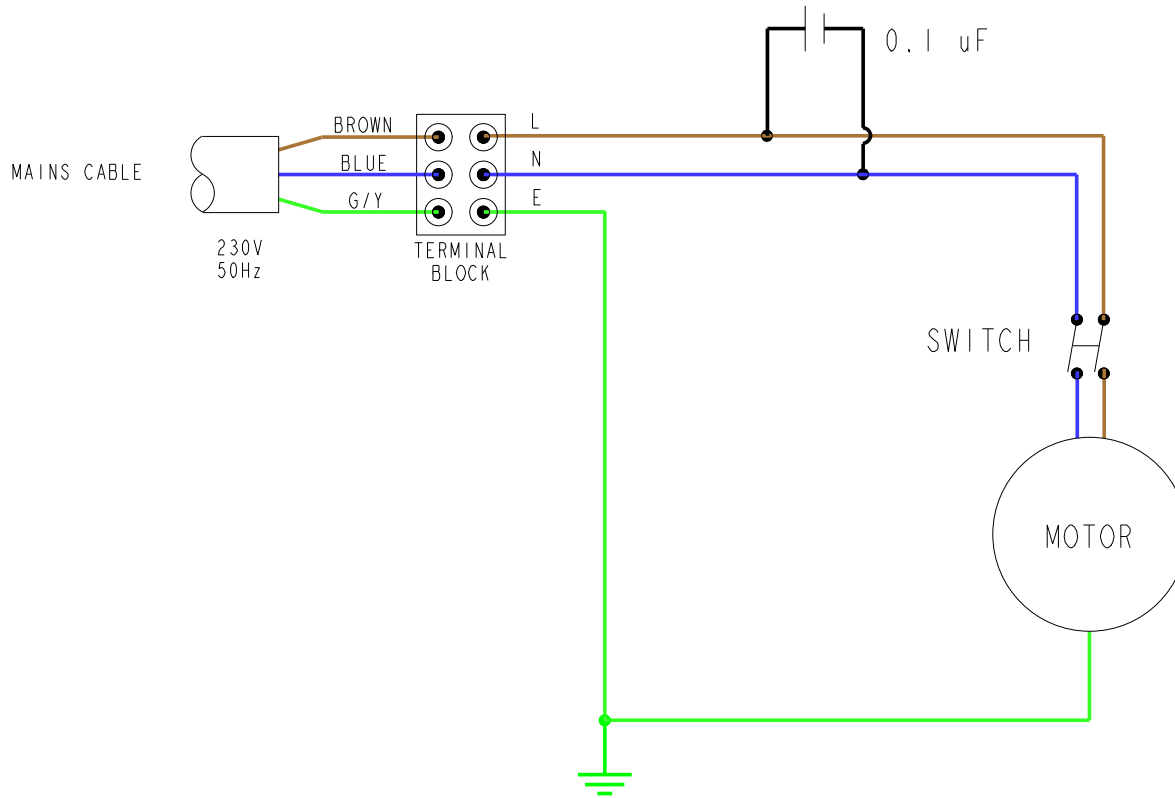
DIMENSIONS IN MILLIMETRES

DO NOT SCALE DRAWING

3RD ANGLE PROJECTION

A4

# VA55HD WIRING DIAGRAM

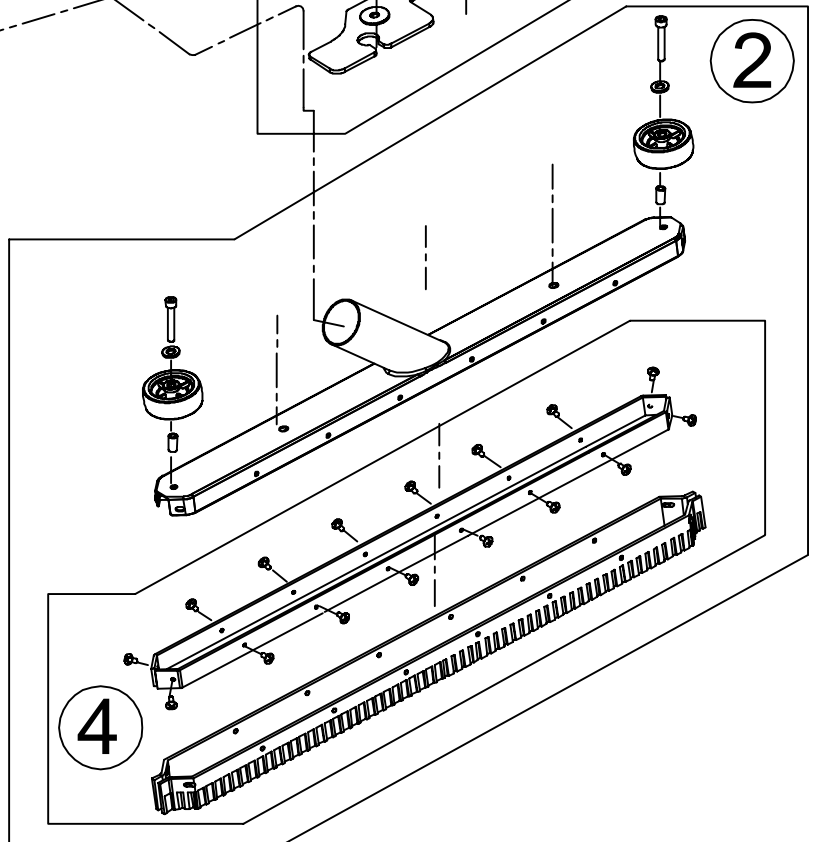
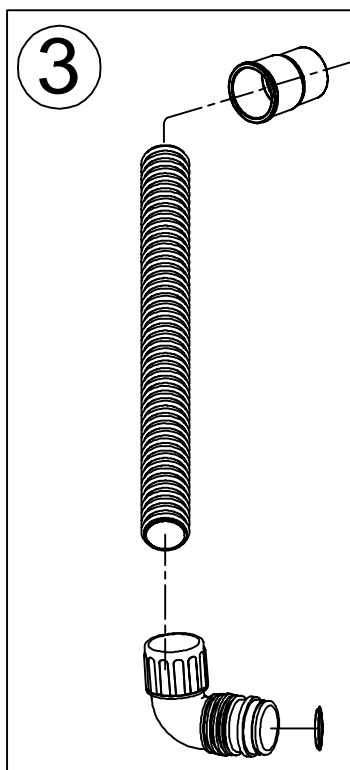
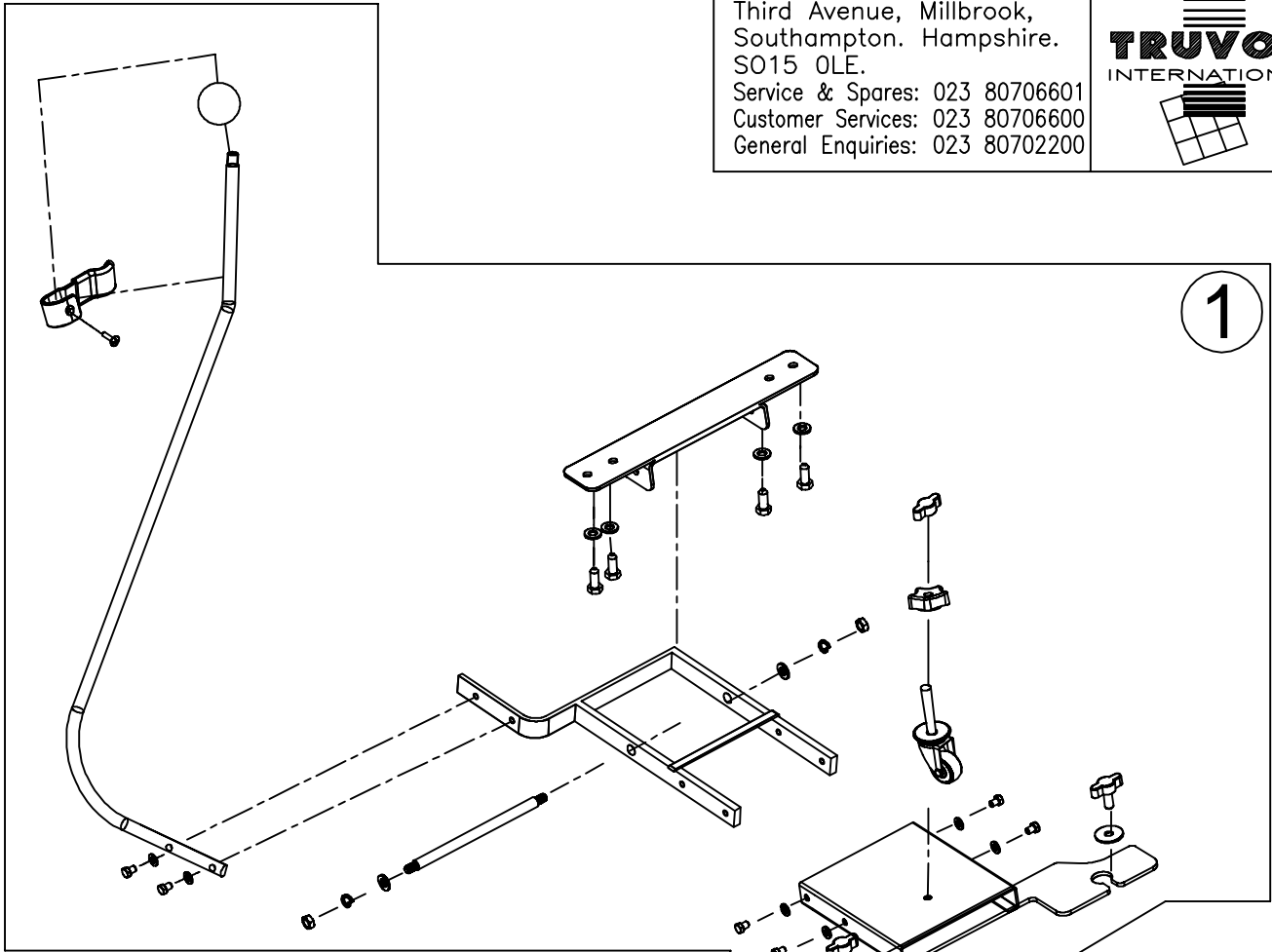


I	N/A	NEW DRAWING	NMN	08 JUL 13
ISSUE	ECN	CHANGES	INT	DATE

MATERIAL :	GEN TOL
	X ±0.5
	X.X ±0.2
	X.XX ±0.1
	ANG ±0.5°
FINISH :	SCALE: X : X
	DRN CKD
	NMN

<b>TRUVOX™ INTERNATIONAL LIMITED</b>	
TITLE:	PART NO.
VA55HD WIRING DIAGRAM	09-1137-0000

Truvox International Ltd.,  
 Third Avenue, Millbrook,  
 Southampton. Hampshire.  
 SO15 0LE.  
 Service & Spares: 023 80706601  
 Customer Services: 023 80706600  
 General Enquiries: 023 80702200



					SCALE	NTS	TITLE	SQUEEGE ASSEMBLY DRAWING		
					CHECKED	M.D.C.	PRODUCT	DRAWING/PART No		
22.05.07		A	NEW DRAWING	MC	DRN	M.D.C.	VA55HD	09-1088-0000	A4	SHEET 1 OF 1 SHEETS
DATE	CRO No	ISS	REVISION RECORD	DR	CHK					

# Service Parts List (Kits)

Model Ref.:- VA55HD SQUEEGEE ASSY

SERIES A

Service Parts List (Kits) Issue 1 Dated 21-May-2007

Ref. Drawing 09-1088-0000 Issue A Dated 22-May-2007

Drawing Ref.	Part Number	DESCRIPTION	Qty Per Kit
1	20-0108-0000	FRAME & HANDLE ASSY	1
2	20-0109-0000	SQUEEGEE BODY AND BLADE ASSY	1
3	20-0110-0000	HOSE ASSY	1
4	20-0111-0000	SQUEEGEE BLADE REPLACEMENT SET (10 PAIRS)	1