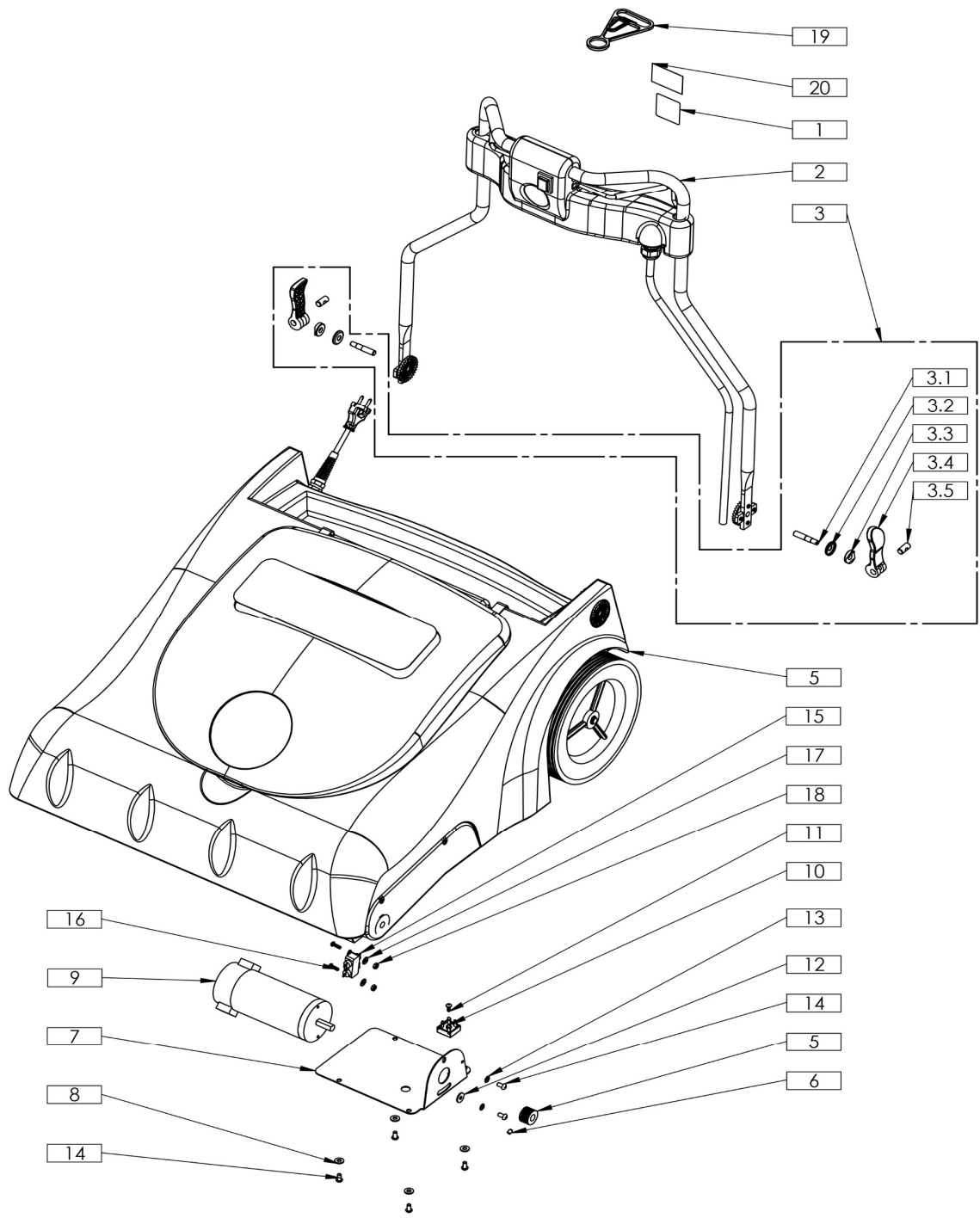


<b>Tacony CFC</b>	<b>Wide Area Vac</b>	
<b>Part Number:</b>	<b>VWAV</b>	
Series:	A	
Date:	09-Jan-23	
Reference Drawing Number:	VWAV	
Reference Drawing Issue:		
Modified By:	N Dowse	
Service Parts List Issue:	L	<b>ECN #</b>
Description of Change:	Updated drawings	<b>1313</b>

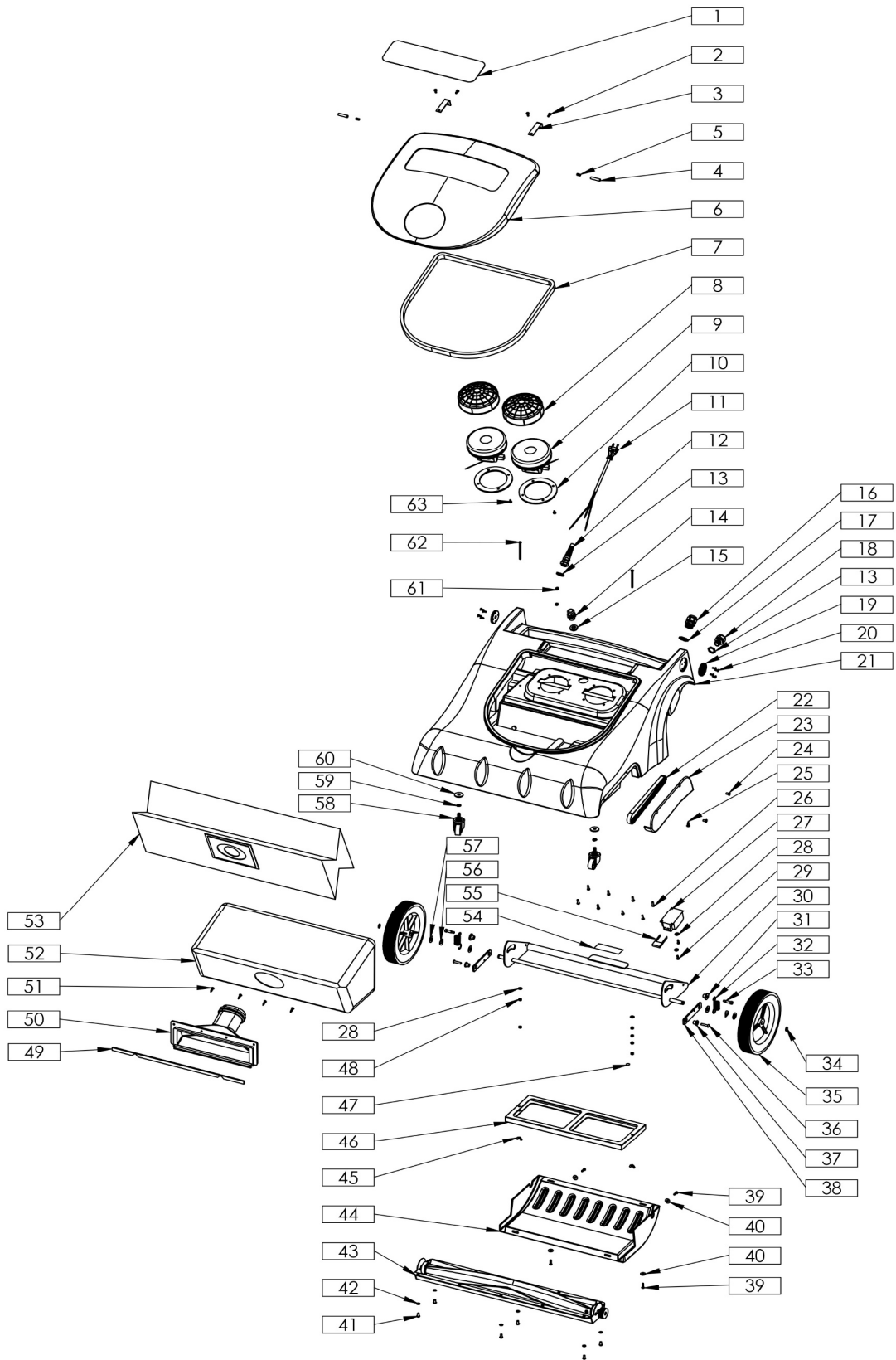
Ref. No.	Part No.	Part Description	Qty
1	X8459	Label, Serial Number 2X2 Plain	1
2	19984TV	Assy Handle, Wide Area Vac, 230V	1
3	33102-KIT	Wav Cam Handle Kit	1
3.1	33104	Metal Stud, Cam Lever Handle	2
3.2	33106	Metal Washer, Cam Lever Handle	2
3.3	33103	Washer, Cam Lever Wav	2
3.4	33102	Handle, Cam Lever Wav	2
3.5	33105	Hinge Pin, Cam Lever Handle	2
5	19835	Pulley, Brush Drive Motor (93030)6 Groove Poly V	1
6	02011	Screw Set Sock. 1/4 20 X 5/16(Blk.Oxid)	1
7	19836	Mount, Brush Motor(Steel) (93030) Black	1
8	00851	Washer, 3/16 Uss Flat Zinc Bulk	4
9	33501	Brush Motor	1
10	33070	Bridge Rectifier Single Phase 35A 1.2Kv Qc Vishay	1
11	33075	Screw, 10 24 X 1/2, Tapf, Pphd, Stl Zp	1
12	14142	Washer Plain .265 Id(Zp) Ftw	1
13	7CY002	Washer, 1/4 Int Tooth Lock Ss	2
14	00086	Screw-Phil Rnd Hd Mach 1/4 20 X 1/2 (Zp). Ft Wrth Use 04442	6
15	33508	Filter,Vacuum,Emi,Motor,230V,5A	1
16	12896	Screw-Phil. Rnd Hd Mach #10-32 X 5/8 (Zp)	2
17	11385	Washer Sealing #10	2
18	02625	Nut Hex.Lock(Keps) #10 32 Zp	2
19	BA00163582	Cord Retainer Hook Black	1
20	B507-0200	Mylar Label Clear 1.625 X 2.625	1



<b>Tacony CFC</b>	<b>WAV, 230V Truvox</b>		
<b>Drawing Number:</b>	<b>93031TV</b>		
<b>Machine</b>	Wide Area Vac		
<b>Date:</b>	28/11/2022	<b>Description of Change</b>	<b>ECN No.</b>
<b>Drawing Issue:</b>	V		
<b>Modified By:</b>	VK (USA)		

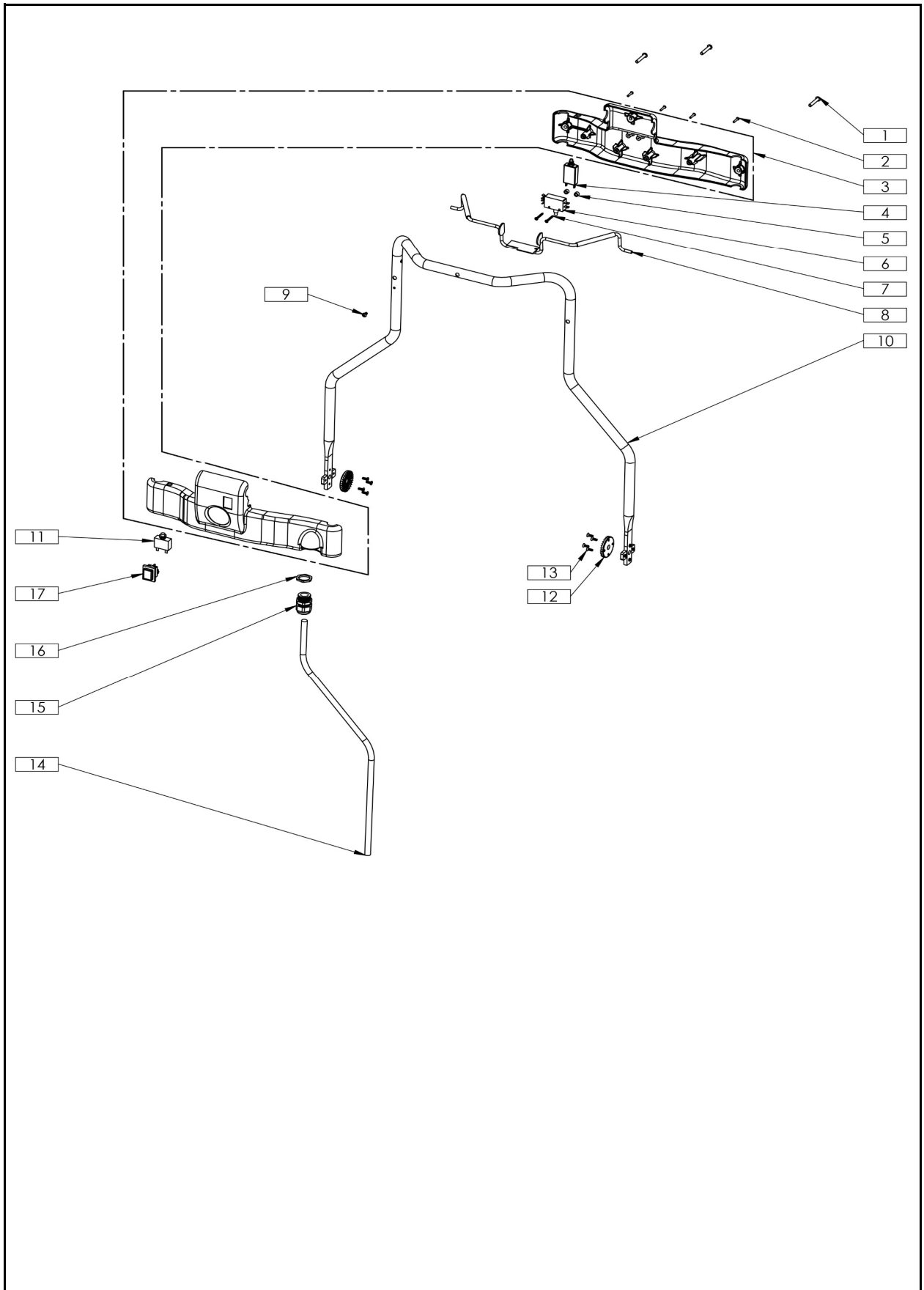
BASE ASSEMBLY			
1	X2537	Label, Recangle, Truvox	1
2	X9370	Black Oxide Steel Pan Head Phillips Screw	4
3	X2090	Bracket, Wav Lid Hinge	2
4	19864	Pin, Lid Hinge Steel.340 (93030)Chrome/Zinc Plate	2
5	15357	Spring, Latch Release	2
6	33500	Lid Wav	1
7	30079B	Gasket Hood Wav	1
8	19834	Filter,Vacuum,Motor,5.7,Intake	2
9	31306	Motor,Vacuum,230,Vac	2
10	30090	Gasket Motor (Poly Foam) (93030) .188W/Adhesive	2
11	33505	Cord,Vacuum,Yellow,Uk,230V	1
12	19461	Strain Relief, Power Cord 1/2 Npt (Blk)	1
13	X8008N	Nut Lock 1/2 Steel Conduit Appleton	2
14	30084	Strain Relief, 1 Dia	1
15	30085	Nut, Strain Relief 1	1
16	33191	Strain Relief, Liq. Tite W/33192 W/ No Nut (93030)	1
17	33192	Nut, Lock For Strain Relief 33191 (93030)	1
18	PD8	Strain Relief 1/2 Npt Sce	1
19	19798	Bracket, Grooved Handle	2
20	X9578	Screw, #8 32 X 1/2 Phil. Flat Hd Machine Lg. Zp	8
21	33036-V	Chassis, Main Roto Molded (93030) Black	1
22	19802	Belt,Wide Area Vac,Poly,Brush Drive	1
23	33057A	Belt Cover Wav Black Inj. Mold	1
24	15162	Screw, 1/4 20 X 1/2L, Flat Hd Zp	2
25	X9425	Screw, #12 X 3/4 18-8Ss	1
26	30620	Screw Phil. Pan Hd Tapt #10 16 X 3/4 (Zp)	8
27	33506	Filter,Vacuum,Emi,Power,230V,20A	1
28	11385	Washer Sealing #10	4
29	12896	Screw-Phil. Rnd Hd Mach #10-32 X 5/8 (Zp)	2
30	30491	Assy Axle, Brush Level (93030)	1
31	30464	Sleeve, Pivot(Lrg).312ld (93030) Steel (Zp)	2
32	30466	Spring, Tension H.Adjust (93030) 302 Ss	2
33	30617	Bolt Shoulder Socket Hd. Zinc 5/16 1/4 20 X.75 Long	2
34	30507	Snap Ring, 1/2 External (93030) .05 Thk.	2
35	19797	Wheel, 10 Plastic Hub 125Lb (93030) 9.875 Od X 1.75 W	2
36	19999	Screw Phil. Rnd Hd Mach 1/4 20 X 1 1/8 (Zp)	2
37	30461	Sleeve, Pivot .5(.25ld) (93030) Flash Chrome Pl	2
38	19841	Arm, Wheel Pivot 3/16 X 1 (93030) Black	2
39	04735	Screw Phil. Truss Hd #10 24 X 3/4 (Zp)	4
40	00-0600-0503	M6 Plain Washer	4
41	00086	Screw-Phil Rnd Hd Mach 1/4 20 X 1/2 (Zp). Ft Wrth Use 04442	6
42	7CY002	Washer, 1/4 Int Tooth Lock Ss	6
43	19870	Assy Brush Roller 28 In Wav	1
44	19854G	Cover, Exhaust	1
45	19975	Nut Wing (10 32) Zinc Pl (93030) Alt:Steel Galvan	2
46	19855	Filter,Vacuum,Exhaust,Wav	1
47	X9214	Label Ground Symbol	1
48	01604	Nut, #10 32 Finished Hex Zp	6
49	33502	Gasket, Chute, Wav	1
50	33193	Filter,Vacuum,Chute	1
51	33195	Screw, #10 X 3/4L Panhead, Ph, Pt	4
52	19816	Bag,Vacuum,Cloth,Reusable,Gray,Wav	1
53	90701	Bag,Vacuum,Paper,10 Pack,Disposable	1
54	30618	Decal Carpet Level Adj. (93030)	1
55	33628	Filter,Vacuum,Capacitor	1
56	19818	Spring, 1/2 Curved 93030	2

57	19616	Washer Plain .563 Id (Ss)	4
58	31209	Wheel, Vac Front Wide Area Vac I Lg Stem W/3/8Unc X I.63D	2
59	03536	Washer, 3/8 Lock Hs	2
60	03321	Washer, Plain .391Id X1.25X.125 Flat Washer Steel Zinc	2
61	02625	Nut Hex.Lock(Keps) #10 32 Zp	2
62	33630	Screw, #10-32, 3 Long	2
63	03261	Screw Tct(F)Pan Head #10 32 X 3/8	2



Tacony CFC		WAV, Base Assembly	
<b>Drawing Number:</b>	93031TV Base		
<b>Machine</b>	Wide Area Vac		
<b>Date:</b>	09/11/2022	<b>Description of Change</b>	<b>ECN No.</b>
<b>Drawing Issue:</b>	A		
<b>Modified By:</b>	VK (USA)		

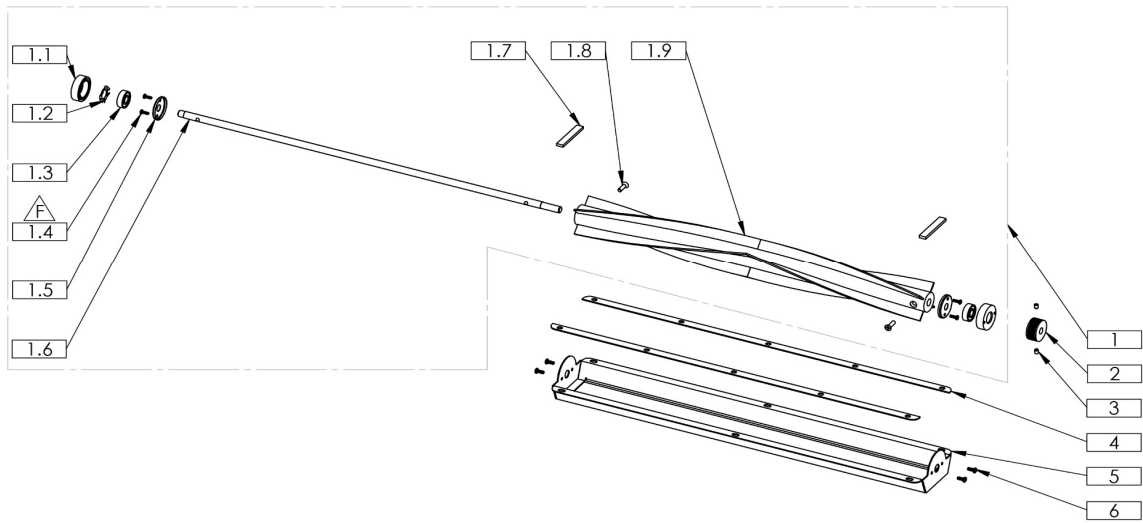
<b>Handle Assembly</b>			
ITEM NO.	PART NUMBER	Description	QTY.
	19884TV		
1	01978	Screw Phil. Rnd Hd Mach 1/4 20 X 1 1/2 (Zp)	3
2	16924	Screw Pan Head(Phillips) # 6 32 X 3/4	4
3	33199	Box, Switch Top And Bottom	1
4	31368	Circuit Breaker,Vacuum,Wide-Area,1.6Amp,240V Ac,230V	1
5	17376	Spacer, Nylon	2
6	19357	Switch, Push Button (Dpst)Wav 20A,125 250Vac,1Hp/Cherry	1
7	33117	Screw, #6 13 X 1.25Plastite	2
8	19849	Switch, Trigger Brush .25 (93030) Black	1
9	03261	Screw Tct(F)Pan Head #10 32 X 3/8	1
10	19829	Handle, Main Steel Tube (93030) Black	1
11	32964	Circuit Breaker,Vacuum,Wide-Area,10Amp,230V	1
12	19798	Bracket, Grooved Handle	2
13	X9578	Screw, #8 32 X 1/2 Phil. Flat Hd Machine Lg. Zp	8
14	33452A	Harness, Cable Wav 115/230V Longer Jacket	1
15	33191	Strain Relief, Liq. Tite W/33192 W/ No Nut (93030)	1
16	33192	Nut, Lock For Strain Relief 33191 (93030)	1
17	32966	On/Off Switch Cm-Wav Main Double Pole Single Throw	1



Tacony CFC		WAV Handle Assembly	
<b>Drawing Number:</b>			
<b>Machine</b>		Wide Area Vca	
<b>Date:</b>	09/02/2022	<b>Description of Change</b>	<b>ECN No.</b>
<b>Drawing Issue:</b>	F		
<b>Modified By:</b>	VK (USA)		

<b>Brush Assembly</b>			
ITEM NO.	PART NUMBER	Description	QTY.
1	X1298	BRUSH ROLL ASSEMBLY WAV NO SHOE OR PULLEY	1
1.1	19805	BLOCK, BEARING BRUSH ALUM (93030) 6061 T6 ALUMINUM	2
1.2	7858	FINGER, SPRING	1
1.3	19809	BEARING, BRUSH 93030	2
1.4	X8849	SCREW, 8-18 X 1/2 PAN HD PHIL HI-LO TSB BLK ZINC	4
1.5	19848	GUARD THREAD	2
1.6	19808	AXLE, BRUSH .500 (93030 & 93032)	1
1.7	32896	GASKET NEOPRENE 3/16 X 1/2 X 3	2
1.8	11276A	SCREW PHIL HEAD FLAT MS 1/4 20 X 7/8 ADHESIVE PATCH	2
1.9	19811	BRUSH ROLL, 28 FOR A 93030 OR PF2030	1
2	19804A	PULLEY, BRUSH DRIVE(ALUM) WAV 6 GROOVE POLY V 1.6IN DIA	1
3	2011	SCREW SET SOCK. 1/4 20 X 5/16(BLK.OXID)	2
4	30077	GASKET, SHOE (POLY FOAM) (93030) .64W/ADHESIVE	2
5	19810	SHOE BRUSH MOUNT CRS PLATED (93030)	1
6	16142B	SCREW PHIL. TRUSS HD MACH #10-32 X 1/2 (ZP)	4





Tacony CFC		WAV Brush Roller	
<b>Drawing Number:</b>			
<b>Machine</b>		Wide Area Vac	
<b>Date:</b>	09/02/2022	<b>Description of Change</b>	<b>ECN No.</b>
<b>Drawing Issue:</b>	F		
<b>Modified By:</b>	VK (USA)		