

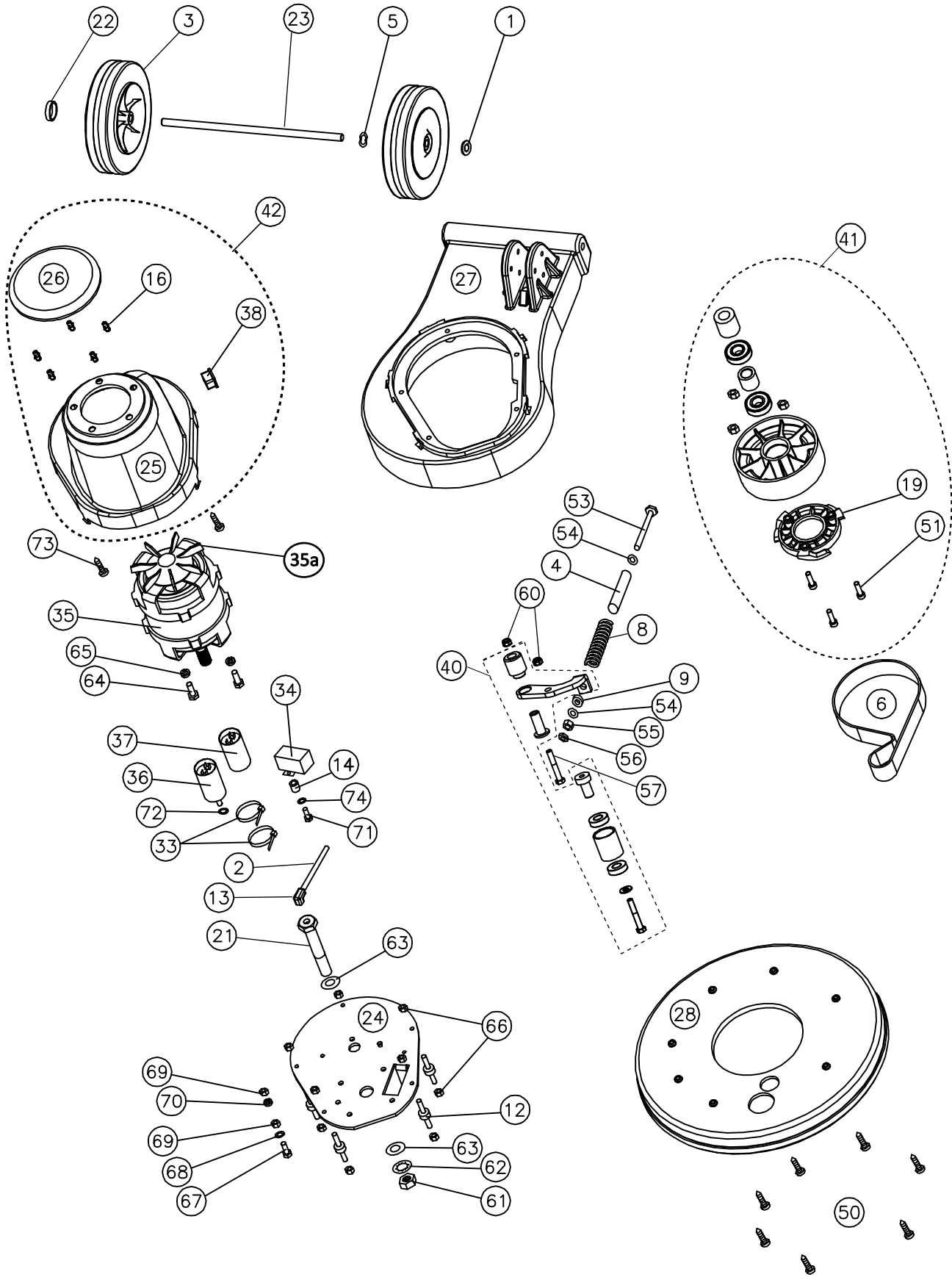
Tacony CFC		Orbis 200 and 400rpm 20Inch
Part Number:	OB50200, OB50400	
Base Assembly P/N:	05-4183-0000 (OB50200), 05-4184-0000 (OB50400)	
Handle Assembly P/N:	05-4727-0000 (UK Versions), 05-4728-0000 (Euro Versions)	
Series:	E (From serial no.040443)	
Date:	25-Nov-20	
Reference Drawing number:	09-1003-0000 (Base Assembly), 09-1002-0000 (Handle Assembly)	
Reference Drawing Issue:	D (Base Assembly), C (Handle Assembly)	
Modified By:	N DOWSE	
Service Parts List Issue:	I	ECN #
Description of Change:	Colour change	-

Ref. No.	Part No.	Part Description	Qty
		DRAWING REF: 09-1003-0000 - BASE ASSEMBLY	
1	02-0254-0000	Starlock washer	2
2	02-0264-1000	Pipe (Only available on Orbis 200 models)	0.145M
3	02-3121-0000	Wheel	2
4	02-3130-1000	Adjusting Bolt Thread Protection Tube	0.06M
5	02-3185-0000	Crinkle Washer	2
6	02-3499-0000	Belt - main drive	1
8	02-3501-0000	Belt Tensioning Spring	1
9	03-6172-0000	Rubber Washer	1
12	02-3507-0500	Flexible coupling - vibration damper	5
13	03-8323-0000	Barbed Elbow Fitting (Only available on Orbis 200 models)	1
14	02-3519-0000	Round Plastic Spacer	1
16	03-6194-0000	Orbis Fan Cover Locking Pin	5
19	03-6077-0000	Engagement Hub	1
21	03-6079-0000	Spindle	1
22	02-3124-0000	Wheel Cap	2
23	03-6081-0000	Axle	1
24	03-6082-0000	Motor Mount Plate	1
25	03-6083-0067	Motor Cover Jet Black	1
26	03-6084-0035	Fan Cover Teal	1
27	03-6101-0067	Base Mould Jet Black Ral 9005	1
28*	03-6684-0035	Orbis 20 Inch Brush Guard Teal RAL 5021	1
29	03-6106-0000	Output Drive Spacer	1
33	04-0279-0000	Cable Ties	2
34 to 37	SEE NOTE BELOW - PRIOR TO CONTACTING TRUVOX PLEASE ADVISE WHICH MOTOR IS CURRENTLY IN THE MACHINE (SEE PAGE 2)		
38	04-3235-0000	Female Socket	1
Not Shown	04-3244-0000	Base Wiring Kit (Not Shown)	1
40	05-3698-0000	Tension Arm and Idler Assembly	1
41	05-3467-0000	Orbis Drive Pulley & Hub Assy	1
42	05-3700-0000	Orbis Motor Cover Assembly	1
		<u>Fastenings</u>	
50	02-3515-0000	Self Tapper	7
51	00-0830-0091	Output Drive Hub/Pulley Fix M8 x 30 Socket Head Screw	3
52	00-0800-0721	Output Drive Hub/Pulley Fix M8 Nyloc	3
53	00-0899-0111	Tensioning Spring Bolt M8 x 130 Hex Head Screw	1
54	00-0800-0551	Tensioning Spring Washers Form "C" Large Diameter	2

55	00-0800-0701	Tensioning Spring Nut M8 Full Nut	1
56	00-0800-0711	Tensioning Spring Locknut M8 Lock Nut	1
60	00-0800-0751	Bolt Securing Nut M8 Type "T" 1/2 Nyloc Nut	2
61	00-2000-0701	Output Drive Nut M20 Full Nut	1
62	00-2000-0521	Output Drive Securing Washer M20 Int Shakeproof Washer	1
63	00-2000-0501	Output Drive Washer M20 Plain Washer	2
64	00-0816-0111	Motor Mount Bolt M8 x 16 Hex Head Bolt	4
65	00-0800-0511	Motor Mount Spring Washer M8 Single Coil	4
66	00-0600-0721	Vibration Mount Nut M6 Nyloc Nut	10
67	00-0520-0111	Earth Mount on Plate M5 x 20 Hex Head Screw	1
68	00-0500-0531	Earth Mount on Plate Shakeproof M5 External Shakeproof	1
69	00-0500-0701	Earth Mount on Plate Nuts M5 Full Nut	2
70	00-0500-0511	Earth Mount on Plate Springwasher M5 Single Coil	1
71	00-0520-0111	Relay Fixing Bolt M5 x 20 Hex Head Screw	1
72	02-3250-0000	Capacitor Securing Washer M8 External Fan	1
73	02-3515-0000	Motor Cover Securing Screws	2
74	00-0500-0531	Relay Bolt Shakeproof Washer M5 External Shakeproof	1

Orbis 200			
Motor 1 - Leroy			
34	04-3150-0000	Relay	1
35	04-3223-0000	Motor 1100W, 50Hz, 4 Pole (200 Speed Machine)	1
36	04-3228-0000	Capacitor Run 32 uf	1
37	04-3230-0000	Capacitor Start 80 uf (200 Speed Machine)	1
Motor 2 - Lemac			
34	04-3925-0000	Relay	1
35	04-3943-0000	Motor 1100W, 50Hz, 4 Pole (200 Speed Machine)	1
35a	04-4003-0000	Fan Only (Lemac / Regal)	1
36	04-3957-0000	Capacitor Run 25 uf	1
37	04-3956-0000	Capacitor Start 150 uf (200 Speed Machine)	1
Motor 3 - Tacony			
34	04-3974-0000	Relay	1
35	04-3223-0500	Motor 1100W 230V 50Hz 4 POLE c/w Capacitors & Relays	1
35a	04-4005-0000	Fan Only	1
36	04-3501-0500	Capacitor Run 30 uf	1
37	04-3956-0000	Capacitor Start 150 uf (200 Speed Machine)	1

Orbis 400			
Motor 1 - Leroy			
34	04-3150-0000	Relay	1
35	04-3224-0000	Motor 1100W, 50Hz, 2 Pole (400 Speed Machine)	1
36	04-3228-0000	Capacitor Run 32 uf	1
37	04-3231-0000	Capacitor Start 100 uf (400 Speed Machine)	1
Motor 2 - Lemac			
34	04-3925-0000	Relay	1
35	04-3944-0000	Motor 1100W, 50Hz, 2 Pole (400 Speed Machine)	1
35a	04-4003-0000	Fan Only (Lemac / Regal)	1
36	04-3501-0000	Capacitor Run 30 uf	1
37	04-3965-0000	Capacitor Start 90 uf (400 Speed Machine)	1
Motor 3 - Tacony			
34	04-3974-0000	Relay	1
35	04-3224-0500	Motor 1100W, 50Hz, 2 Pole (400 Speed Machine)	1
35a	04-4005-0000	Fan Only	1
36	04-3501-0500	Capacitor Run 30 uf	1
37	04-3231-0000	Capacitor Start 100 uf (400 Speed Machine)	1



Tacony CFC

Orbis 200 & 400rpm 20Inch Base Assy

Part Number:

OB50200, OB50400

Date: 18-Mar-19

Sheet no.

Drawing Number: 09-1003-0000 Base Assembly)

1 / 1

Drawing Issue: D

DESCRIPTION OF CHANGE

ECN #

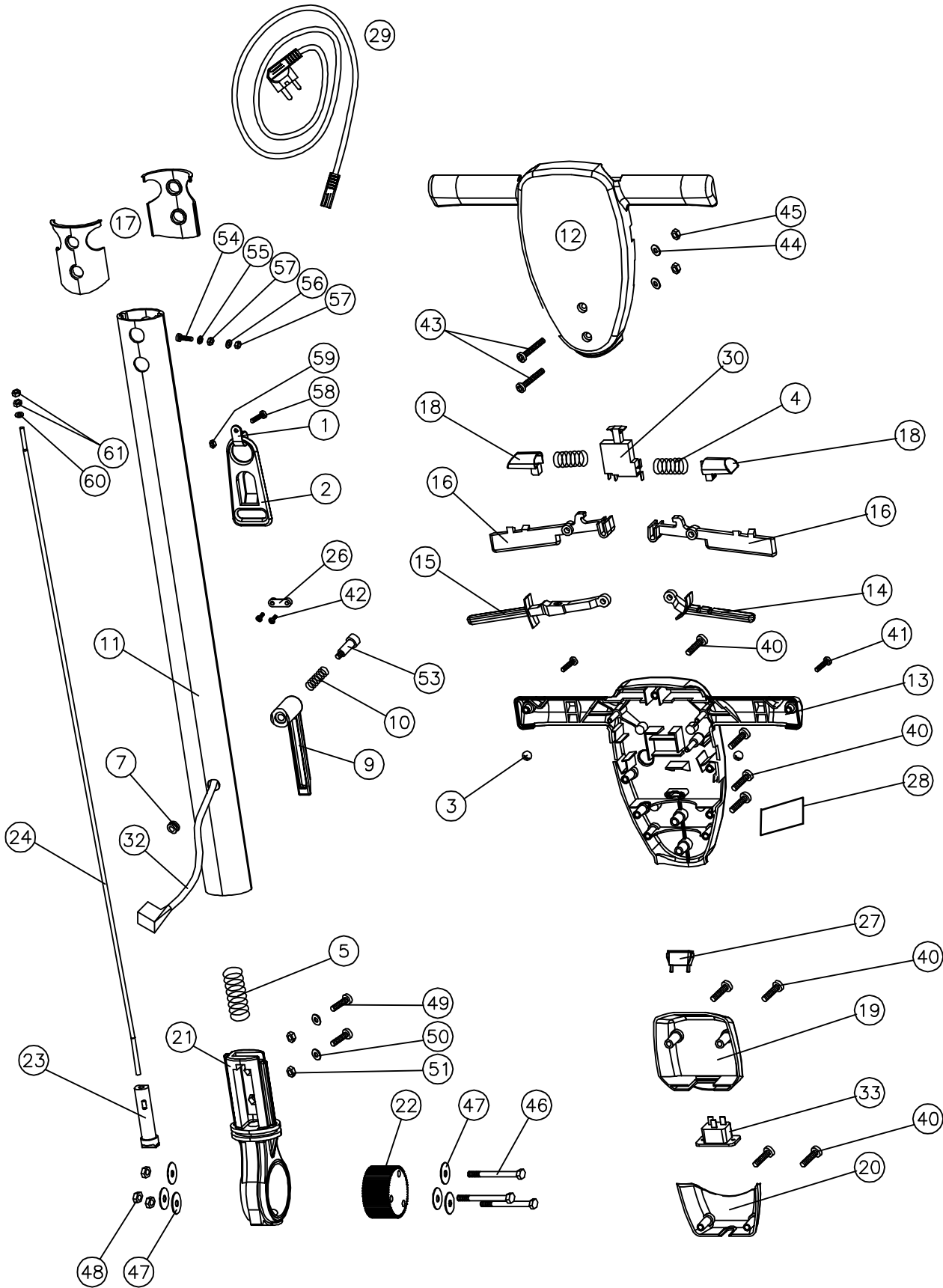
Modified By: J WYLES

New Part: Fan Only (Item 35a)

1355

Ref. No.	Part No.	Part Description	Qty
		DRAWING REF: 09-1002-0000 - HANDLE ASSEMBLY	
1	02-3151-0000	P Clip	1
2	02-3152-0000	Cable Strain Relief Bracket	1
3	02-3186-0000	Ball bearing	2
4	02-3510-0000	Handle Interlock Spring	2
5	02-3511-0000	Gear dog Spring	1
7	02-3520-0000	Diaphragm Grommet	1
Not Shown	05-4721-0000	13mm Spanner for ORBIS (Not Shown)	2
9	03-5403-0000	Cable winder	1
10	03-5410-0000	Cable Winder Spring	1
11	03-6085-0000	Tube - handle aluminium ext.	1
12	03-6086-0067	Handle main - front Jet Black	1
13	03-6087-0067	Handle main - rear Jet Black	1
14	03-6088-0067	Solution Lever Jet Black	1
15	03-6089-0067	Gear lever Jet Black	1
16	03-6090-0067	Trigger left and right Jet Black	2
17	03-6091-0000	Handle Rubber boot	2
18	03-6092-0067	Interlock Jet Black	2
19	03-6093-0067	Cord inlet box Jet Black	1
20	03-6094-0067	Cord retainer Jet Black	1
21	03-7831-0000	Aluminium Knuckle	1
22	03-6096-0000	Gear	1
23	03-6097-0000	Dog	1
24	03-6098-0000	Adjusting Gear Rod	1
25	03-6120-0000	Instruction Manual (Not Shown)	1
26	04-0237-0000	Cable clamp	1
27	04-3254-0000	Neon Indicator Green	1
28	03-6693-0067	Handle Socket Blanking Plate	1
29a	04-3055-0053	Supply Cord Set	1
29b	04-3055-0153	Europlug Supply Cord Set	1
30	04-4024-0000	Switch	1
Not Shown	04-3937-0000	Handle Wiring Kit Without Power Take Off (Not Shown)	1
32	04-4025-0000	Drop lead	1
33	04-3242-0000	16Amp Inlet Socket	1
Not Shown	10-0123-0000	Orbis Handle Power Take Off Kit (Not Shown)	1
Not Shown	04-3239-0000	Handle Wiring Kit With Power Take Off (Not Shown)	1
		<u>Fasteners</u>	
40	02-3516-0000	Self Tapper (Main Handle / Cord Inlet Box)	11
41	02-3517-0000	Self Tapper (Handle Ends)	2
42	02-3518-0000	Self Tapper (Cable Clamps)	2
43	00-0650-0011	Handle Tube Fix M6 x 55 Pozi Pan Head Screw	2
44	00-0600-0521	Handle Tube Fix M6 Shakeproof	2
45	00-0600-0701	Handle Tube Fix M6 Full Nut	2
46	00-0875-0121	Handle Attachment Bolt M8 x 70 Hex Head Bolt	3
47	02-0223-0000	Handle Attachment Washer Zinc Washer 5/16" x 1 1/4"	6
48	00-0800-0751	Handle Attachment Nut M8 Type "T" 1/2 Nyloc Nut	3
49	00-0816-0111	Knuckle Bolt M8 x 16 Hex Head	2
50	00-0800-0501	Knuckle Washer M8 "A" Form Washer	2
51	00-0800-0731	Knuckle Nut M8 Binx Nut	2
53	02-3523-0000	New Cable Winder Bolt Socket Shoulder Bolt M6 x 8 x 40	1
54	00-0520-0111	Earth Mount on Handle M5 x 20 Hex Head	1
55	00-0500-0531	Earth Mount on Handle Serrated Washer M5 External	1

56	00-0500-0511	Earth Mount on Handle Spring Washer M5 Single Coil	1
57	00-0500-0701	Earth Mount on Handle Fixing Nuts M5 Full Nut	2
58	00-0520-0111	Cable Restraint Bolt M5 x 20 Hex Head Screw	1
59	00-0500-0701	Cable Restraint Nut M5 Full Nut	1
60	00-0500-0501	Gear Rod Washer M5 Washer	1
61	00-0500-0701	Gear Rod Nuts M5 Full Nut	2



Tacony CFC

Orbis 200 & 400rpm 20Inch Handle Assy

Part Number:

OB50200, OB50400

Date: 18-Mar-19

Sheet no.

Drawing Number: 09-1002-0000 (Handle Assembly)

1 / 1

Drawing Issue: C

DESCRIPTION OF CHANGE

ECN #

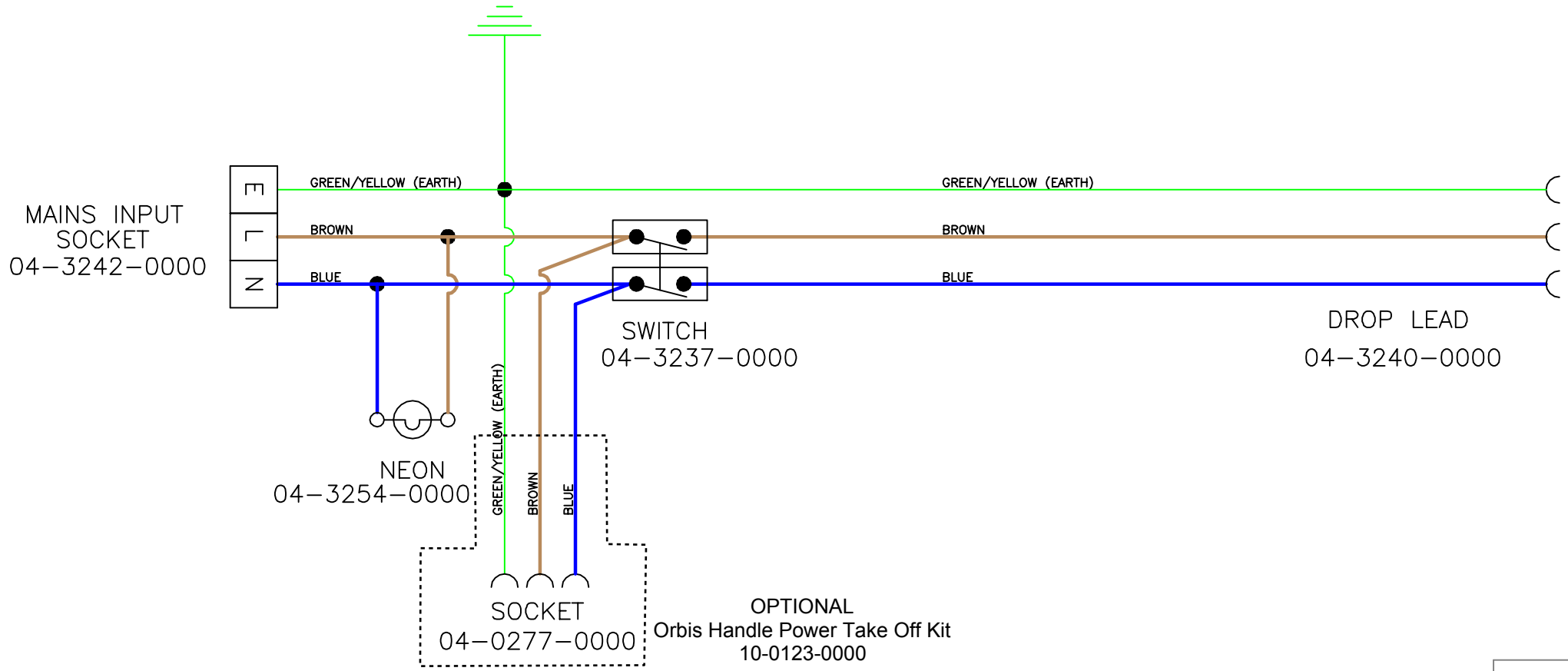
Modified By: J WYLES

-

-

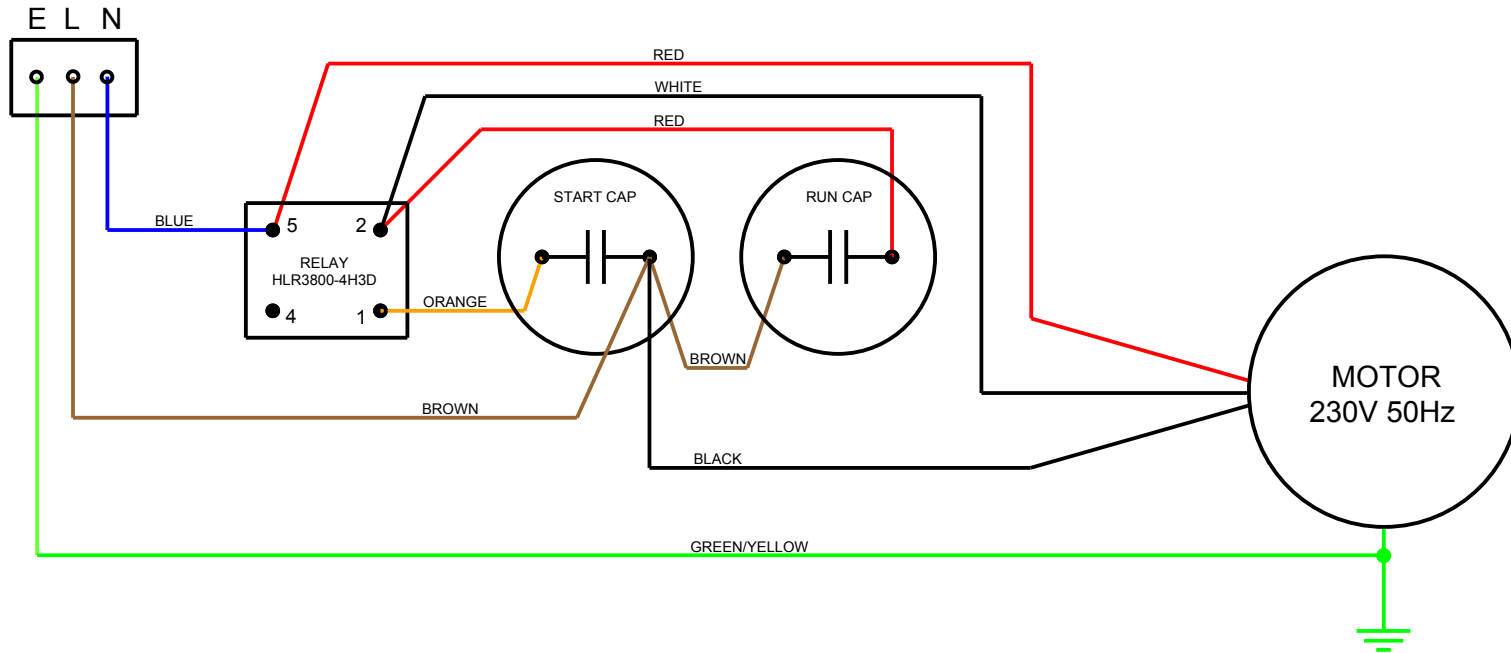
Drawing/Part Number
09-1127-0000

Issue	Amendments	Sig./Date
A	NEW DRAWING	15.12.10 M.D.C.
B	OPTIONAL POWER TAKE OFF KIT	03.09.13 N.P.D



RED
ON
MASTER

	<p>3RD ANGLE PROJECTION DIMENSIONS IN MILLIMETRES DO NOT SCALE DRAWING ©COPYRIGHT</p>	Material		General Tolerance		<p style="text-align: center;">TRUVOX™ INTERNATIONAL LIMITED</p>	
		Finish		Scale			
		Drawn	M.D.C.	Checked	M.D.C.	Date	15.12.10



	ORBIS ECO MOTOR	STD ORBIS MOTOR	START CAP	RUN CAP	RELAY
200 SPEED	04-3968-0000	04-3223-0500	04-3956-0000 (150uF)	04-3501-0000 (30uF)	04-3974-0000
400 SPEED	04-3969-0000	04-3224-0500	04-3231-0000 (100uF)	04-3501-0000 (30uF)	04-3974-0000

			MATERIAL:		GEN TOL X ± 0.5 X.X ± 0.2 X.XX ± 0.1 ANG ± 0.5°		TM TRUVOX INTERNATIONAL LIMITED	
			FINISH:		SCALE: X : X			
1	N/A	NEW DRAWING	NMN	07 JUL 16	DRN	CKD	ORBIS WIRING DIAGRAM 200 AND 400 VARIANTS	
ISSUE	ECN	CHANGES	INT	DATE			PART NO. 09-1146-0000	